



PHI

Kompetenz in Kunststoff





HELLO!

May we introduce ourselves? We are PHI.

With almost 50 years of experience in the window industry and 30 years experience in plastic processing, our goal as #OneTeam will always remain supporting the window and door market with our sustainable and innovative developments.

Practical | Partner | Competent

We think of ourselves as your practical and competent partner – be it developing products especially for you, the layout and production of moulds or supplying goods from our well-known and established product range.

Quality. Guaranteed.

The ISO-9001 certification process, an efficient quality management system, co-operation and tests carried out by e.g. the ift Rosenheim, as well as our membership in such renown organisations as ProK, GKV or the RAL-Gütegemeinschaft (quality assurance association) are our guarantee of adhering to the high quality standards demanded by our customers.

Sustainability.

As a company working with plastics, we are aware of our responsibility towards our employees and our environment. Therefore, we conscientiously adhere to efficient and resource-saving secondary materials, sustainable energy management and a continuous improvement of our processes to achieve zero waste.

#OneTeam

80 Power People work for your goods, if need be up to 24 hours to keep you satisfied – starting with the development of the product, machining, production and finally shipping thereof. We are proud of these achievements. We are proud of the results, also due to our close relationship with you, contacts that in some cases are as old as our company. For this, we would like to say

Thank you

We like being your contact person, your impulse for new ideas, your consultant, implementer, supplier und partner for windows, doors and all products made of technical plastics.

Your PHI



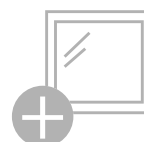
**ASSEMBLY
ACCESSORIES**



**WELDABLE CORNER
CONNECTORS**



**STEEL REINFORCING
TUBES**



**GLAZING MATERIAL
FOR ALUMINIUM SYSTEMS**



**GLAZING MATERIAL
FOR PVC SYSTEMS**



ACCESSORIES



INDEX

Weldable corner connectors _____	P. 04
Assembly tools for PHI corner connector _____	P. 08
Laser cutting _____	P. 09
Custom made steel reinforcing tubes _____	P. 10
Glazing bridges PVC systems _____	P. 11
Transport security accessories _____	P. 14
Frame adjusting blocks _____	P. 16
Filling blocks for hollow chamber profiles _____	P. 18
PP glazing blocks _____	P. 22
PP glazing blocks incl. clamping vane _____	P. 24
Wooden glazing blocks _____	P. 25
Glazing bridges for aluminium systems _____	P. 27
Accessories for aluminium systems _____	P. 27
Drain slot covers _____	P. 28
Assembly spacers _____	P. 29
Vario assembly spacers _____	P. 30
Assembly grid blocks _____	P. 31
Assembly fix _____	P. 32
Assembly accessories _____	P. 33

MEV PRO

Two-piece weldable corner connector consisting of a basic body and clamping „tongue“ piece, made out of high quality PVC ground material.

- Solid basic body for optimized weight & force distribution
- Tongue with bigger contact pressure surface for enhanced clamping
- Assembly with manual assembly lever or optionally air pressure
- Automatic positioning during assembly
- Environmentally friendly as secondary raw materials used

Find out more here



ALUPLAST

for Profiles	Article Code	Reinforcing in mm	PU*	Palettising
Ideal 4000 Ideal 5000 Ideal 6000 Ideal 7000	35402**	35 x 40 x 2	10 sets	500
Hinged shutter	40402	40 x 40 x 2	5 sets	500
Ideal 2000 Ideal 4000 Ideal 7000	50402	50 x 40 x 2	5 sets	500
Ideal 4000 Ideal 7000	50502	50 x 50 x 2	5 sets	400

BRÜGMANN

for Profiles	Article Code	Reinforcing in mm	PU*	Palettising
Hinged shutter	40401,5	40 x 40 x 1,5	5 sets	500
AD Hinged shutter	40402	40 x 40 x 2	5 sets	500
MD	50402**	50 x 40 x 2	5 sets	500
AD	60402	60 x 40 x 2	5 sets	400

DECEUNINCK

for Profiles	Article Code	Reinforcing in mm	PU*	Palettising
Zendow 3000 Zendow 5000	45452	45 x 45 x 2	5 sets	500
Zendow 3000 Zendow 5000	45452,5	45 x 45 x 2,5	5 sets	500
Elegant	57502	57 x 50 x 2	5 sets	400

DECEUNINCK (INOUSIC)

for Profiles	Article Code	Reinforcing in mm	PU*	Palettising
System AD Front door	35402	35 x 40 x 2	10 sets	500
System AD Front door DeLuxe Turning sash DeLuxe Front door	50452	59 x 45 x 2	5 sets	400
DeLuxe Turning sash DeLuxe Front door Prestige 6-K AD Prestige 6-K MD Front door Elite Front door Arcade	55452	55 x 45 x 2	5 sets	400
Prestige 6-K AD Prestige 6-K MD Front door Elite Front door Arcade Eforte (Stahl NA476)	55452,5	55 x 45 x 2,5	5 sets	400
Eforte (Stahl NA484)	55492,5	55 x 49 x 2,5	5 sets	400

GEALAN (VEKA)

for Profiles	Article Code	Reinforcing in mm	PU*	Palettising
S 3000 6000	35402	35 x 40 x 2	10 sets	500
8000 IQ	40352	40 x 35 x 2	5 sets	800
S 9000	44,5422	44,5 x 42 x 2	5 sets	500
S 9000	51422	51 x 42 x 2	5 sets	500
S 3000 6000 7000 IQ	55402	55 x 40 x 2	5 sets	500
S 3000 6000 7000 IQ	58422	58 x 42 x 2	5 sets	400
7000 IQ	58423	58 x 42 x 3	5 sets	500
7000 IQ 8000 IQ S 9000	60462	60 x 46 x 2	5 sets	400
8000 IQ	6147ALU	60,5 x 46,5 x 4 ALU	5 sets	500
Linear (7088 + 7090)	60462	60 x 46 x 2	5 sets	400

KBE (PROFINE)

for Profiles	Article Code	Reinforcing in mm	PU*	Palettising
70 mm Front door AD 70 mm Front door MD	40402	40 x 40 x 2	5 sets	500
UK - 70 mm	48342	48 x 34 x 2	5 sets	500
76 AD 76 MD 88	45352	45 x 35 x 2	5 sets	500
88+ 58 mm Front door AD	50402**	50 x 40 x 2	5 sets	500
70 mm Front door AD 88	60402	60 x 40 x 2	5 sets	400
70 mm Front door AD 76 AD 76 MD	60402,5	60 x 40 x 2,5	5 sets	500

KÖMMERLING (PROFINE)

for Profiles	Article Code	Reinforcing in mm	PU*	Palettising
76 AD 76 MD 88	45352	45 x 35 x 2	5 sets	500
Euro Futur Elegance K-vision Euro Futur Classic MD Classic-Exclusive 88+	50402**	50 x 40 x 2	5 sets	500
Euro Futur Elegance	50402,5	50 x 40 x 2,5	5 sets	500
88	60402	60 x 40 x 2	5 sets	400
76 AD 76 MD	60402,5	60 x 40 x 2,5	5 sets	400

REHAU

for Profiles	Article Code	Reinforcing in mm	PU*	Palettising
S730 Thermo Design S735	35352	35 x 35 x 2	10 sets	500
Synego	37,5411,75	52 x 41 x 1,75	5 sets	500
Thermo Design 70 mm 702 706 window S706 door	40402	40 x 40 x 2	5 sets	500
Geneo Euro Design 86 plus	50352,5	57 x 35 x 2,5	5 sets	500
S730 Thermo Design S735 Brilliant Design S799	50402**	63,5 x 41 x 2,5	5 sets	500
Synego	60453	70 x 43 x 2	5 sets	400

SALAMANDER

for Profiles	Article Code	Reinforcing in mm	PU*	Palettising
bluEvolution 73	40402	40 x 40 x 2	5 sets	500
bluEvolution 82 greenEvolution	45402	45 x 40 x 2	5 sets	500
2D bluEvolution 92	50402**	50 x 40 x 2	5 sets	500
2D	50403	50 x 40 x 3	5 sets	500
3D	50502	50 x 50 x 2	5 sets	400
greenEvolution 76 bluEvolution 82 bluEvolution 73	60402	60 x 40 x 2	5 sets	400
Streamline (SL 76) 3D bluEvolution 92	60452	60 x 45 x 2	5 sets	400

for Profiles	Article Code	Reinforcing in mm	PU*	Palettising
Corona CT 70 AD Corona CT 70 MD Cava CT 70 SI 82	32412	32 x 41 x 2	10 sets	500
Corona CT 70 AD Corona CT 70 MD Cava CT 70 SI 82	32413	32 x 41 x 3	10 sets	500
Corona AS 60 AD Corona AS 60 MD Corona CT 70 AD Corona CT 70 MD Cava CT 70 SI 82	50402**	50 x 40 x 2	5 sets	500
Corona CT 70 AD Corona CT 70 MD Cava CT 70 SI 82	50403	50 x 40 x 3	5 sets	500
Living	55403	55 x 40 x 3	5 sets	500

TROCAL (PROFINE)

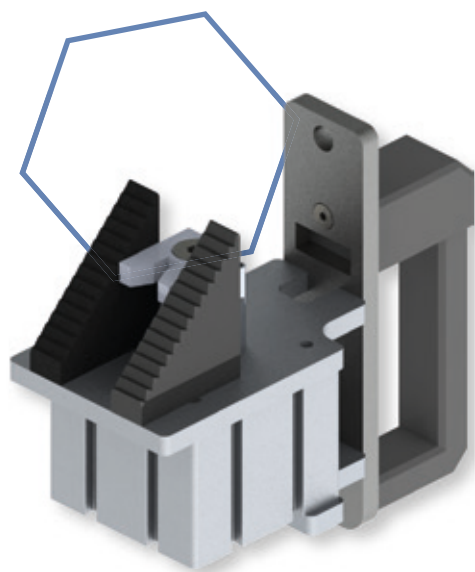
for Profiles	Article Code	Reinforcing in mm	PU*	Palettising
88+ MD	3940,72	39 x 40,7 x 2	5 sets	500
Inno Nova 2000 Inno Nova_70.A5 Inno Nova_70.M5	41361,5	41 x 36 x 1,5	5 sets	500
Inno Nova 2000 Inno Nova_70.A5 Inno Nova_70.M5	41362	41 x 36 x 2	5 sets	500
76 AD 76 MD 88	45352	45 x 35 x 2	5 sets	500
88	60402	60 x 40 x 2	5 sets	400
76 AD 76 MD	60402,5	60 x 40 x 2,5	5 sets	400
Inno Nova 2000 Inno Nova_70.A5 Inno Nova_70.M5	6441,32	64 x 41,3 x 2	5 sets	400
Inno Nova 2000 Inno Nova_70.A5 Inno Nova_70.M5	64412,5	64 x 41 x 2,5	5 sets	400
88+ MD	66402,5	66 x 40 x 2,5	5 sets	400

VEKA

for Profiles	Article Code	Reinforcing in mm	PU*	Palettising
Softline 70 MD	39422	39 x 42 x 2	5 sets	500
Softline 70 AD Softline 76 AD Softline 76 MD Swingline	48452 VEKA	48 x 45 x 2	5 sets	500
Softline 113.270*** Softline 113.368	48452 VEKA 47,9452 VEKA	48 x 45 x 2 47,9 x 45 2	5 sets 5 sets	500 500
Alphaline 90	50402**	50 x 40 x 2	5 sets	500
Softline 70 MD Softline 82	60402	60 x 40 x 2	5 sets	400
Softline 70 MD Softline 76 AD Softline 76 MD Softline 82	60403	60 x 40 x 3	5 sets	400
Softline 70 AD	65452	65 x 45 x 2	5 sets	400
Softline 70 AD	65453	65 x 45 x 3	5 sets	400

* 1 Set = 8 Pieces ** Quadro available *** both sides equal length AD = Outer seal MD = Middle seal

Assembly tools for PHI corner connectors



Compressed air assembly tool

Simplifies the installation of the corner connectors in the profile.

Article Code	Connectors	PU
DRMW-1	All	1

Clamping lever

For manual clamping of PHI - weldable corner connectors. Suitable for smaller manufacturing assemblies; a simple and low cost alternative to our compressed air assembly tool.

Article Code	Connectors	PU
KLEMMHEBEL	All	25



LASER CUTTING.

PRECISE. FAST. FLEXIBLE.



NEW

EXCELLENT CUTTING QUALITY.

No burrs, no matter how thick the metal. The laser cutting head automatically adjusts to the material thickness thus ensuring clean and precise cuts.

Consistent quality while machining, no matter how challenging the task. Special technical solutions optimize the process. Many materials possible (stainless steel, aluminium, construction steel, copper etc.) as from 12 – 152 mm diameter and a maximum length of 4.500 mm

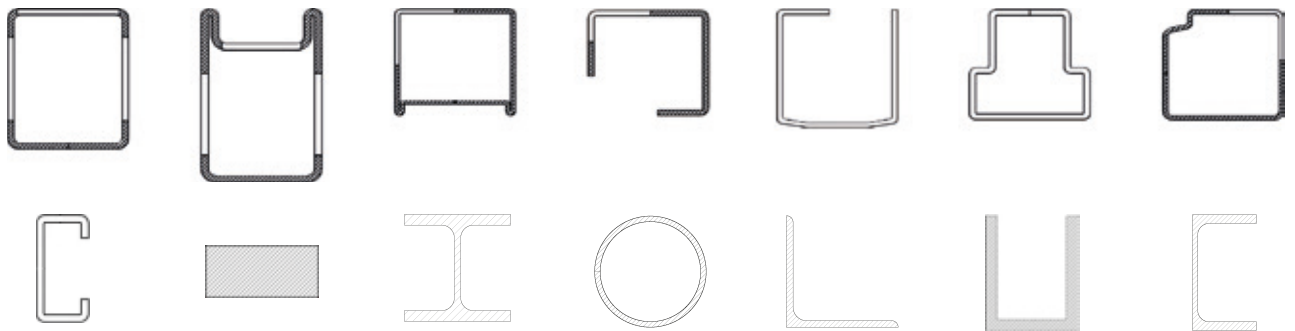
- No burrs, clean and precise cuts (tolerance 0.03mm)
- Construction as per customer request
- All profiles possible: flat steel, U-, C-, T- and L profiles as well as round and square profiles
- All openings possible
- Surface machining such as a lattice, punched holes, engravings and countersinking

Find out more here



Custom made steel reinforcing tubes

- Specially customized machining centres as well as ongoing training of our employees guarantees short delivery times and consistent high quality.
- Due to our modern machinery we can process almost all types of steel reinforcing tubes.
- We can machine steel tubes of various shapes, as shown in the steel profiles below:

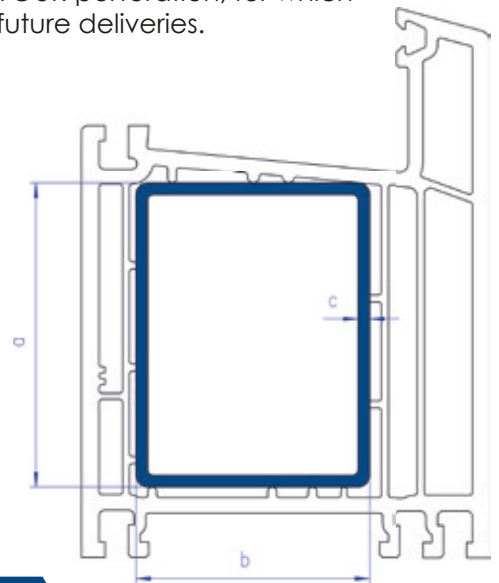
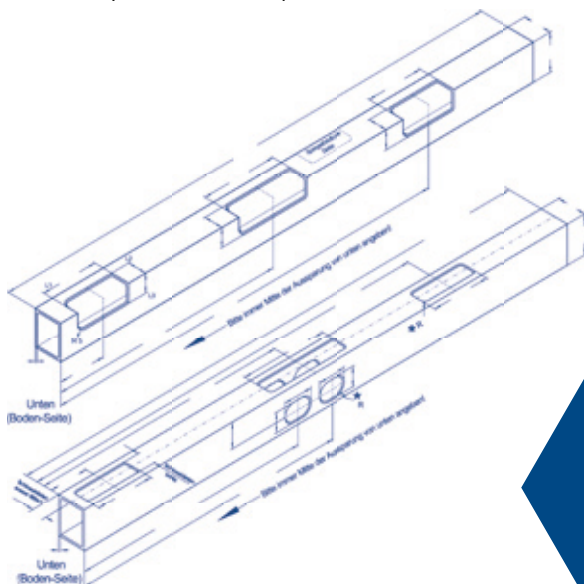


With customized perforation

- Customized perforation increases the torsion and bending rigidity compared to standard perforations significantly.
- You provide us with the dimensions - we programme and mill YOUR perforation, for which we also create your own special and unique article code for future deliveries.

With standard perforation

- Steel pipe for door wing fits app. 30 - 40 % of all locking system currently in use. Wing and doorframe with standardized perforation. Two perforations for handle and lock cylinder, three perforations for lock cases.

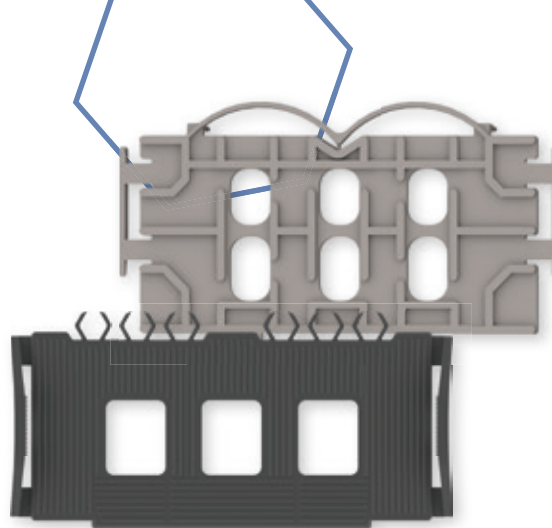


Customized milled steel tubes increase the torsion rigidity by up to 70 %.

Glazing bridges PVC systems

To compensate and reduce the space between the window or door profile and rebate and to facilitate glazing blocks.

- Open labyrinth system for optimized draining and ventilation
- Easy to install and superb support due to effective clamping system within the frame
- Glazing block safeguard
- Resistant to aging and softening agents (polypropylene)



ALUPLAST

for Profiles	Article Code	PU	Palettising
Ideal 2000 Ideal 8000	GFEALUPLAST2000	1.000	20.000
Ideal 4000 Ideal 5000 Ideal 6000 (55 mm depth of glazing rebate)	GFEALUPLAST4000	500	20.000
Ideal 4000/5000 multi rebate (FLGR), alternative to 650252	GFEALUPLAST4000/MF	1.000	40.000
Ideal 7000 (BR)	GFEALUPLAST7000	500	20.000
Ideal 7000/8000 multi rebate (FLGR), alternative to 650250	GFEALUPLAST7000/MF	1.000	80.000
Ideal 7000/8000 multi rebate (FLGR) 1 mm raised, alternative to 680250	GFEALUPLAST7000/1MF	1.000	40.000
Ideal 8000 frame for fixed glazing, alternative to 68016	GFEALUPLAST8000/MD	350	14.000

BRÜGMANN

for Profiles	Article Code	PU	Palettising
AD 73 MD 73 (FLGR)	GFEBRG-GZ100	500	20.000
bluEvolution 92 (FLGR)	GFESALA177040	500	20.000
bluEvolution 82 (FLGR)	GFESALAGZ8000	500	20.000
bluEvolution 82 (BR)	GFESALAGZ9000	500	20.000

DECEUNINCK

for Profiles	Article Code	PU	Palettising
ZENDOW 3000 ZENDOW 5000	GFEDEC3251	500	25.000
ZENDOW 3000 ZENDOW 5000	GFEDEC3251/4,5 (4,5 mm raised)	250	12.500
ZENDOW 3000+	GFEDEC2848	500	20.000
ZENDOW NEO Premium	GFEDEC5510	500	20.000
Elegant Infinity – profile depth 80 mm, glass rebate 71 mm	GFEDEC5230	500	20.000
Elegant Infinity – profile depth 80 mm, glass rebate 71 mm	GFEDEC5231 (4 mm raised)	500	20.000
Elegant Origin – profile depth 76, 90 and 115 mm, glass rebate 67 mm	GFEDEC11670	500	20.000
Elegant ThermoFibra – profile depth 85 mm, glass rebate 78 mm	GFEDEC5232	500	20.000
Elegant Monorail – profile depth 70 mm, glass rebate 61 mm	GFEDEC3198	500	20.000

FLGR = Casement, BR = Frame, P = Mullion, R = Transom, FS = Glazing bar for sash, FV = Fixed glazing, TF = Front door sash, AD = Rebate seal, MD = Centre seal

DECEUNINCK (INOUSIC)

for Profiles	Article Code	PU	Palettising
Prestige (Alternative for GK176-14555)	GFEINOUTICGK176 (3 mm raised)	500	20.000
Elite (Alternative for GK722-14760) Arcade (Alternative for GK722-14760)	GFEINOUTICGK722	500	25.000
Eforte <u>for profile:</u> 17030	GFEINOUTICGK284	400	20.000

GEALAN (VEKA)

for Profiles	Article Code	PU	Palettising
S 7000 S 8000 (flush) S 8000 (recessed)	GFEGEA7066	500	20.000
S 7000 S 8000 (flush) S 8000 (recessed)	GFEGEA7410 (3 mm raised)	250	12.500
S 9000 (FLGR) <u>for profile:</u> 6017, 6027 S 9000 (BR) <u>for profile:</u> 6017, 6027	GFEGEA6404	500	20.000

KBE

for Profiles	Article Code	PU	Palettising
eMotion 70 mm	GF EK2Q351EF	500	20.000
eMotion 70 mm	GF EK2Q351EF/4 (4 mm raised)	500	12.500
76 AD (FLGR) 76 AD (BR) 76 MD (FLGR)	GFEPRO76	500	20.000
88	GFEPRO88	500	20.000

KÖMMERLING

for Profiles	Article Code	PU	Palettising
Eurofutur Classic Eurofutur Elegance eVolution (54 mm depth of glazing rebate)	GF EK2Q351EF	500	20.000
Eurofutur Classic Eurofutur Elegance eVolution (54 mm depth of glazing rebate)	GF EK2Q351EF/4 (4 mm raised)	250	12.500
88	GFEPRO88	500	20.000
76 AD (FLGR) 76 AD (BR) 76 MD (FLGR)	GFEPRO76	500	20.000

REHAU

for Profiles	Article Code	PU	Palettising
Brillant Design Thermo Design 70	GFER247506	500	20.000
GENEO S 730 (FLGR) EuroDesign 86 plus (FLGR) S 735 (Alternative for 350164, 353862)	GFER350164	500	16.000
Synego AD Synego MD	GFER358049	500	20.000
Artevo (FLGR), 2.6 mm high	GFERA1368222	500	20.000

SALAMANDER

for Profiles	Article Code	PU	Palettising
Streamline 3D	GFESALA117040	500	20.000
bluEvolution 92 (FLGR)	GFESALA177040	500	20.000
bluEvolution 82 (FLGR)	GFESALAGZ8000	500	20.000
bluEvolution 82 (BR)	GFESALAGZ9000	500	20.000

SCHÜCO

for Profiles	Article Code	PU	Palettising
Corona CT 70 (55 mm depth of glazing rebate)	GFESCT70/55 (on BR 2 mm raised)	500	25.000
SI 82 (FLGR) CT 70 „Cava“ (semi recessed)	GFESSI82	500	20.000
Living 82 (FLGR)	GFESLIV82	500	20.000
Living 82 MD (BR)	GFESLIV82MD	250	10.000

TROCAL

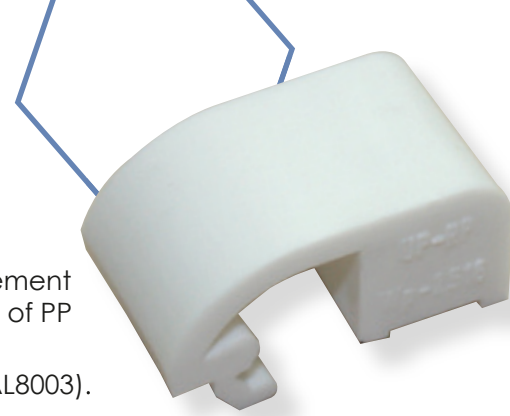
for Profiles	Article Code	PU	Palettising
Innonova 70 (52,5 mm depth of glazing rebate)	GFETRINO70/52,5	1.000	40.000
eXclusive 70 mm	GF EK2Q351EF	500	20.000
eXclusive 70 mm	GF EK2Q351EF/4 (4 mm raised)	250	12.500
76 AD (FLGR) 76 AD (BR) 76 MD (FLGR)	GFEPRO76	500	20.000
88	GFEPRO88	500	20.000

VEKA

for Profiles	Article Code	PU	Palettising
Topline (recessed) Softline 70 mm Alphaline	GFEVTOP293	500	25.000
Topline (recessed) Softline 70 mm Alphaline	GFEVTOP293/3 (3 mm raised)	500	20.000
Softline 76 (FLGR)	GFEVSOFT76	500	20.000
Softline 76 MD Self-clamping glazing bridge incl. clamping nodes and block safeguard, fits Veka Softline 76 centre seal – fixed glazing. Alternative to Veka 109.124.	GFEVSOFT76MD	250	10.000
Softline 82 (FLGR, Alternative for VEKA 109.666)	GFEVSOFT82	500	20.000
Softline 82 (FLGR)	GFEVSOFT82/5 (5 mm raised)	250	10.000
Softline 82 MD (FV)	GFEVSOFT82MD	250	10.000
VEKA Softline 82 (FLGR, bonded, analog 109.125mm incl. safety block, for wing 103.402-79mm; 103.351- 67m and French casement 103.352-47mm)	GFEV109125	1.000	on request
VEKA Softline 82 Flat centering plate for bonded FLGR analog 109.224, for wing 103.402-79mm 103.351-67mm and French casement 103.352-47mm	GFEV109224	1.000	on request

FLGR = Casement, BR = Frame, P = Mullion, R = Transom, FS = Glazing bar for sash, FV = Fixed glazing,
TF = Front door sash, AD = Rebate seal, MD = Centre seal

Transport security accessories



Frame adjustment accessory block for wide and / or heavy encasement within the frame during transport. The wedge-shaped blocks made of PP are clicked into the frame and removed after mounting.

All blocks are available in standard white (RAL9016) and brown (RAL8003). Minimum ordering quantity 1 PU. Additional colours on request.

ALUPLAST

for Profiles	Article Code	PU	Palettising
Ideal 2000 Ideal 4000 Ideal 5000 Ideal 6000 Ideal 7000 Ideal 8000	TS0080	200	30.000

BRÜGMANN

for Profiles	Article Code	PU	Palettising
AD	TS0090	200	30.000

DECEUNINCK

for Profiles	Article Code	PU	Palettising
Zendow	TS0090	200	30.000

DECEUNINCK (INOUSIC)

for Profiles	Article Code	PU	Palettising
Prestige AD Elite Eforte Arcade AD	TS0040	200	30.000

GEALAN

for Profiles	Article Code	PU	Palettising
S 3000 S 7000 S 8000 S 9000	TS0110	200	30.000

KBE

for Profiles	Article Code	PU	Palettising
70 AD 70 MD 76 AD 76 MD 88+	TS0010	200	30.000
eMotion	TS0070	200	30.000

KÖMMERLING

for Profiles	Article Code	PU	Palettising
Kömmerling ED Kömmerling EF	TS0070	200	30.000
76 AD 76 MD	TS0010	200	30.000

LB PROFILE

for Profiles	Article Code	PU	Palettising
LB Styl	TS0100	200	30.000

PROFIALIS

for Profiles	Article Code	PU	Palettising
Performance	TS0080	200	30.000

REHAU

for Profiles	Article Code	PU	Palettising
Brilliant Thermo S729 (only France) Geneo	TS0020	200	30.000

SALAMANDER

for Profiles	Article Code	PU	Palettising
2D 3D Streamline bluEvolution	TS0080	200	30.000

SCHÜCO

for Profiles	Article Code	PU	Palettising
CT70 SI 82 Living	TS0030	200	30.000

TROCAL

for Profiles	Article Code	PU	Palettising
Exclusive	TS0070	200	30.000
76 AD 76 MD	TS0010	200	30.000

VEKA

for Profiles	Article Code	PU	Palettising
70 AD 70 MD 76 AD 76 MD Softline Perfectline Swingline Softline 82 AD Softline 82 MD	TS0060	200	30.000
VEKA Softline 82 wing lowering protection, height 12mm, analog 148.201 for all VEKA frames	ALBV148201	1.000	on request
VEKA Softline 82 Self-clamping block for all VEKA frames with centre seal	ALBVMSDK	1.000	on request

Frame adjusting blocks

Frame adjustment accessory block for wide and / or heavy encasement within the frame. The wedge-shaped plastic blocks made of PP are compatible to the frame profiles and are permanently screwed into the frame (also possible for lower case frames).

All blocks are available in standard white (RAL9016) and brown (RAL8003). Minimum ordering quantity 1 PU. Additional colours on request.



ALUPLAST

for Profiles	Article Code	PU	Palettising
Ideal 2000	RAB0010	200	30.000
Ideal 4000 Ideal 5000 Ideal 6000 Ideal 7000 Ideal 8000	RAB0020	200	30.000

BRÜGMANN

for Profiles	Article Code	PU	Palettising
AD MD	RAB0010	200	30.000

DECEUNINCK

for Profiles	Article Code	PU	Palettising
Zendow	RAB0050	200	30.000

DECEUNINCK (INOUSIC)

for Profiles	Article Code	PU	Palettising
Prestige AD Prestige MD Elite Eforte Arcade AD MD	RAB0100	200	30.000

GEALAN

for Profiles	Article Code	PU	Palettising
S 3000 S 7000 S 8000 S 9000	RAB0050	200	30.000

KBE

for Profiles	Article Code	PU	Palettising
70 AD 70 MD 88+	RAB0050	200	30.000

KÖMMERLING

for Profiles	Article Code	PU	Palettising
76 AD 76 MD	RAB0020	200	30.000

LB PROFILE

for Profiles	Article Code	PU	Palettising
LB Profile	RAB0080	200	30.000

PROFIALIS

for Profiles	Article Code	PU	Palettising
Performance	RAB0020	200	30.000

REHAU

for Profiles	Article Code	PU	Palettising
Geneo	RAB0050	200	30.000

SALAMANDER

for Profiles	Article Code	PU	Palettising
bluEvolution	RAB0050	200	30.000

SCHÜCO

for Profiles	Article Code	PU	Palettising
Corona AS60	RAB0020	200	30.000
Corona CT70 S182 Living	RAB0080	200	30.000

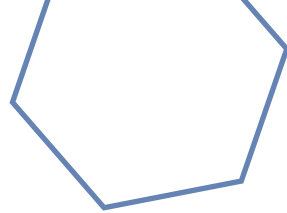
TROCAL

for Profiles	Article Code	PU	Palettising
Comfort	RAB0010	200	30.000

VEKA

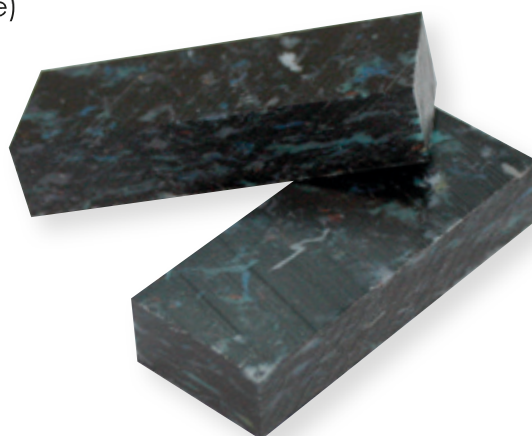
for Profiles	Article Code	PU	Palettising
Softline 70 (Sash) Topline (Sash) Perfectline (Sash) Swingline (Sash) Softline 82 MD (Sash) Softline 82 AD (Sash)	RAB0120	200	30.000

Filling blocks for hollow chamber profiles



Connecting components (out of coloured PE500 re-granulate) for multi-purpose usage:

- Mullion connector
- Threshold connector
- Diagonal connector
- Hollow chamber filling block for various connector usage
- Standard length 1.000 mm
- Different shapes and dimensions available
- Assembly with PVC screws no pre-drilling required
- Counter profile router available on request
- Custom-made sealing blocks or sealing plates on request



ALUPLAST

for Profiles	Type	Profile Number	Article Code / Size					PU*
Ideal 4000	Frame	140x03	FS	1.000	41	36	-	45
		140x07	FS	1.000	36	28	-	52
	Mullion	140x41	FS	1.000	36	21	-	52
		140x45	FS	1.000	46	41	-	41
Ideal 5000	Frame	050x03	FS	1.000	27	10	-	68
		150x02	FS	1.000	36	21	-	52
		150x03	FS	1.000	31	31	-	59
	Mullion	150x43	FS	1.000	36	21	-	52
		150x44	FS	1.000	46	21	-	41
Ideal 5002	Frame	050x03	FS	1.000	31	15	-	60
Ideal 7000	Frame	170x03	FS	1.000	41	36	-	45
	Mullion	170x44	FS	1.000	46	41	-	41
Ideal 8000	Frame	080x05 I	FS	1.000	31	18	-	60
		080x05 II	FS	1.000	26	20	-	70
		180x03	FS	1.000	31	31	-	59
		180x05	FS	1.000	31	31	-	59
	Mullion	180x44	FS	1.000	46	21	-	41

DECEUNINCK (INOUSIC)

for Profiles	Type	Profile Number	Article Code / Size					PU*
Arcade	Mullion	HA7150	FS	1.000	55	45	-	35
	Frame	LA710	FS	1.000	36	29	-	52
		LA720	FS	1.000	51	30	-	37
	Mullion	TA720	FS	1.000	38	26	-	49
Eforte	Frame	LLE184-7000	FS	1.000	43	25	-	44
		LLE284-17001	FS	1.000	43	30	-	44
		LLE384	FS	1.000	43	25	-	44

DECEUNINCK (INOUSIC)

for Profiles	Type	Profile Number	Article Code / Size					PU*
Eforte	Frame	LLE684-17150	FS	1.000	45	41	-	46
	Mullion	TLE184-17020	FS	1.000	43	30	-	44
		TLE384-17025	FS	1.000	47	35	-	40
Prestige	Mullion	H576-14603	FS	1.000	47	35	-	40
	Frame	L 176-14528	FS	1.000	28	26	-	66
		L 676-14600	FS	1.000	37	31	-	51
		L276-14529	FS	1.000	39	28	-	48
	Mullion	T276-14520	FS	1.000	43	25	-	44
		T376-14509	FS	1.000	42	33	-	45

GEALAN

for Profiles	Type	Profile Number	Article Code / Size					PU*
S 7000	Frame	7008	FS	1.000	30	28	-	66
		7011	FS	1.000	35	30	-	53
		7014	FS	1.000	30	28	-	66
	Mullion	7037 long side -10 short side -6 both sides	FS	1.000	47	23	milled system- specially	40
		7043 long side -5 short side -7 both sides	FS	1.000	45	44	milled system- specially	46
S 7000 IQ + 82,5	Mullion	5006	FS	1.000	45	44	-	43
	Frame	5010	FS	1.000	35	30	-	53
	Mullion	5013 long side -10 short side -6 both sides	FS	1.000	47	23	milled system- specially	40
S 8000	Frame	8001	FS	1.000	29	28	-	66
		8006	FS	1.000	43	25	-	44
		8010	FS	1.000	35	28	-	53
		8012	FS	1.000	43	30	-	44
		8014	FS	1.000	43	25	-	44
	Mullion	8039	FS	1.000	47	23	-	40
		8040	FS	1.000	47	35	-	40
		8043	FS	1.000	61	31	-	32
S 8000 IQ + 82,5	Frame	5002	FS	1.000	43	30	-	44
	Mullion	5005	FS	1.000	47	35	-	40
	Frame	5003	FS	1.000	30	28	-	66
S 9000 IQ	Mullion	6053	FS	1.000	59	32	-	32

* PU ≙ Minimum order quantity

KBE

for Profiles	Type	Profile Number	Article Code / Size					PU*
70 AD	Frame	370	FS	1.000	31	31	-	59
	Mullion	380	FS	1.000	38	21	-	49
		381	FS	1.000	61	40	-	32
		382	FS	1.000	41	40	-	46
	Frame	371 I	FS	1.000	31	31	-	59
		371 II	FS	1.000	31	16	-	60
372/8372		FS	1.000	43	30	-	44	
70 MD	Mullion	9380	FS	1.000	39	31	-	48
	Frame	9373 I	FS	1.000	39	15	-	48
		9373 II	FS	1.000	22	14	-	81

PROFINE

for Profiles	Type	Profile Number	Article Code / Size					PU*
76 AD / MD	Frame	76101	FS	1.000	33	28	-	56
		76102	FS	1.000	46	35	-	41
		76103	FS	1.000	33	28	-	56
	Mullion	76301	FS	1.000	31	31	-	59
		76302	FS	1.000	46	21	-	41

REHAU

for Profiles	Type	Profile Number	Article Code / Size					PU*
Brilliant AD 70	Frame	P120	FS	1.000	61	39	-	32
	Mullion	P68	FS	1.000	34	12	-	55
		P86	FS	1.000	35	28	-	53
	Frame	R68	FS	1.000	35	28	-	53
		R76	FS	1.000	35	28	-	53
		R98 I	FS	1.000	35	28	-	53
R98 II		FS	1.000	36	21	-	52	
EuroDesign 86	Mullion	P112	FS	1.000	51	30	-	37
		P86	FS	1.000	34	12	-	55
	Frame	R66	FS	1.000	35	28	-	53
		R80	FS	1.000	43	30	-	44
Geneo	Mullion	P126	FS	1.000	51	30	-	37
		P98	FS	1.000	37	24	-	51
	Frame	R72	FS	1.000	37	24	-	51
		R86	FS	1.000	37	37	-	51
Synego AD	Frame	1537005	FS	1.000	35	25	-	53
		1537015	FS	1.000	35	34	-	55
	Mullion	1537405	FS	1.000	31	31	-	59
		1537415	FS	1.000	51	43	-	37
Synego MD	Frame	1537105	FS	1.000	35	25	-	53
		1537115	FS	1.000	35	34	-	55
	Mullion	1537505	FS	1.000	31	31	-	59
	Frame	1537515	FS	1.000	51	43	-	37

SALAMANDER

for Profiles	Type	Profile Number	Article Code / Size					PU*
3D	Mullion	KP 112 220	FS	1.000	38	21	-	49
	Frame	RP 110 220	FS	1.000	30	28	-	66
		RP 110 225	FS	1.000	30	28	-	66
		RP 110 230	FS	1.000	30	28	-	66
BluEvolution	Mullion	KP 172 420	FS	1.000	38	21	-	49
	Frame	RP 170 420	FS	1.000	35	28	-	53
		RP 170 430	FS	1.000	35	28	-	53
Streamline	Mullion	KP 250 110	FS	1.000	34	12	-	55
		KP 252 120	FS	1.000	46	21	-	41
	Frame	RP 250 220	FS	1.000	35	28	-	53
		RP 250 224	FS	1.000	35	28	-	53
		RP 250 227	FS	1.000	35	28	-	53
		RP 250 230	FS	1.000	35	28	-	53
		RP 250 240	FS	1.000	41	31	-	46
		RP 252 130	FS	1.000	46	41	-	41
RP 252 130	FS	1.000	46	41	-	41		

SCHÜCO

for Profiles	Type	Profile Number	Article Code / Size					PU*
Corona S182	Frame	19161	FS	1.000	39	31	-	48
		19192	FS	1.000	32	27	-	58
		19209	FS	1.000	37	24	-	51
		19259	FS	1.000	41	40	-	46
		19207	FS	1.000	47	32	-	40
CT 70	Frame	18596	FS	1.000	32	28	-	57
		18852	FS	1.000	39	31	-	48
		18869	FS	1.000	37	24	-	51
		19012	FS	1.000	34	23	-	55
		19048	FS	1.000	41	40	-	46
CT 70	Frame	18819	FS	1.000	47	32	-	40
ThermoPlus S182	Frame	19816	FS	1.000	28	24	-	66
		19818 I	FS	1.000	20	14	-	89
		19818 II	FS	1.000	27	22	-	68

VEKA

for Profiles	Type	Profile Number	Article Code / Size					PU*
Softline 70 AD	Frame	101214	FS	1.000	39	31	-	48
		101208	FS	1.000	31	31	-	59
		101215	FS	1.000	31	31	-	59
	Mullion	102218	FS	1.000	37	31	-	51
		102238	FS	1.000	37	31	-	51
Softline 82 AD	Frame	101294	FS	1.000	41	31	-	46
	Mullion	102312	FS	1.000	41	31	-	46
	Frame	101293	FS	1.000	31	31	-	59
	Mullion	102310	FS	1.000	41	31	-	46
Softline 82 MD	Frame	101291	FS	1.000	41	31	-	46
	Mullion	102311	FS	1.000	61	41	-	32
	Frame	101290	FS	1.000	31	31	-	59

* PU ≙ Minimum order quantity

PP glazing blocks

- Open labyrinth system for optimized vapour pressure compensation
- Optimized load distribution and load discharge
- Average minimum surface load area of 700 mm² acc. to Hadamar
- Resistant to aging and softening agents (polypropylene)
- Self-gluing system available (additional cost)



UNIVERSAL

Colour variations may occur due to recycle base material.

Article Code		1 mm	2 mm	3 mm	4 mm	5 mm	6 mm	8 mm*
KKL10020..	PU	1.000	1.000	1.000	1.000	1.000	1.000	1.000
	Pal.	60.000	60.000	50.000	50.000	40.000	40.000	40.000
KKL10022..	PU	1.000	1.000	1.000	1.000	1.000	1.000	-
	Pal.	60.000	60.000	50.000	50.000	40.000	40.000	-
KKL10024....	PU	1.000	1.000	1.000	1.000	1.000	1.000	500
	Pal.	60.000	60.000	50.000	40.000	40.000	40.000	25.000
KKL10026..	PU	1.000	1.000	1.000	1.000	1.000	500	500
	Pal.	60.000	60.000	50.000	40.000	40.000	25.000	25.000
KKL10028..	PU	1.000	1.000	1.000	1.000	500	500	500
	Pal.	60.000	50.000	50.000	40.000	25.000	25.000	25.000
KKL10030..	PU	1.000	1.000	1.000	1.000	500	500	-
	Pal.	60.000	50.000	50.000	40.000	25.000	25.000	-
KKL10032..	PU	1.000	1.000	1.000	1.000	500	500	-
	Pal.	60.000	50.000	40.000	40.000	25.000	25.000	-
KKL10034..	PU	1.000	1.000	1.000	500	500	500	-
	Pal.	60.000	50.000	40.000	40.000	25.000	25.000	-
KKL10036..	PU	1.000	1.000	1.000	1.000	500	500	500
	Pal.	60.000	50.000	40.000	40.000	25.000	25.000	20.000
KKL10038..	PU	-	-	500	500	500	-	-
	Pal.	-	-	Discontinued! 25.000	25.000	25.000	-	-
KKL10040..	PU	1.000	1.000	1.000	500	500	500	500
	Pal.	60.000	50.000	40.000	25.000	25.000	20.000	20.000
KKL10044..	PU	1.000	1.000	500	500	500	1.000	-
	Pal.	60.000	40.000	25.000	25.000	20.000	25.000	-
KKL10046..	PU	1.000	1.000	500	500	500	250	-
	Pal.	60.000	40.000	25.000	25.000	20.000	12.500	-
KKL10050..	PU	1.000	500	500	500	500	500	-
	Pal.	50.000	30.000	25.000	20.000	20.000	20.000	-
KKL10052..	PU	1.000	500	500	500	500	500	-
	Pal.	75.000	25.000	25.000	20.000	16.000	16.000	-
KKL10054..	PU	1.000	500	500	500	500	500	-
	Pal.	25.000	25.000	25.000	20.000	20.000	20.000	-
KKL10056..	PU	-	500	500	500	500	500	-
	Pal.	-	25.000	25.000	20.000	20.000	20.000	-
KKL10060..	PU	1.000	500	500	500	500	500	-
	Pal.	50.000	25.000	25.000	20.000	20.000	20.000	-

UNIVERSAL MIX

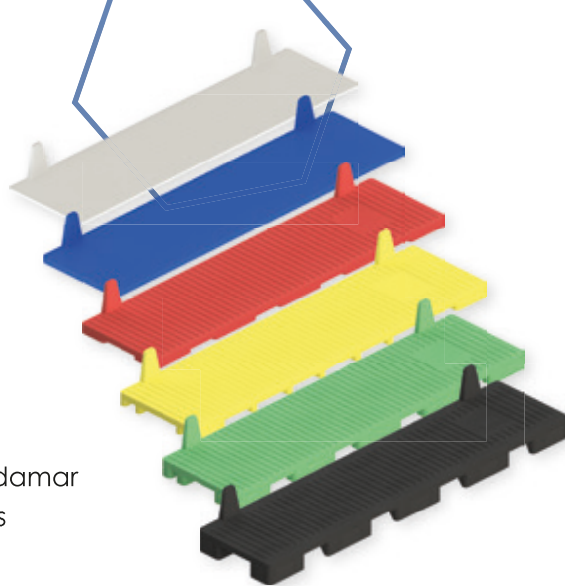
Colour variations may occur due to recycle base material.

Article Code		1 mm	2 mm	3 mm	4 mm	5 mm	6 mm	8 mm*
KKL10020MIX400	Content	50	75	75	75	75	50	-
	PU	400						
KKL10024MIX100	Content	10	20	20	20	20	10	-
	PU	100						
KKL10024MIX400	Content	50	75	75	75	75	50	-
	PU	400						
KKL10026MIX400	Content	50	75	75	75	75	50	-
	PU	400						
KKL10028MIX400	Content	50	75	75	75	75	50	-
	PU	400						
KKL10030MIX400	Content	50	75	75	75	75	50	-
	PU	400						
KKL10032MIX250	Content	25	50	50	50	50	25	-
	PU	250						
KKL10034MIX250	Content	25	50	50	50	50	25	-
	PU	250						
KKL10036MIX250	Content	25	50	50	50	50	25	-
	PU	250						
KKL10040MIX250	Content	25	50	50	50	50	25	-
	PU	250						

* Only available as pallet

Glazing blocks incl. clamping vane

- Stopper as safety precaution against displacing
- Connects to window pane, not window rebate
- Open labyrinth system for optimized vapour pressure compensation
- Optimized load distribution and load discharge
- Average minimum surface load area of 700 mm² acc. to Hadamar
- Glazing block width only minimally wider than pane thickness



UNIVERSAL

Colour variations may occur due to recycle base material.

Article Code		1 mm	2 mm	3 mm	4 mm	5 mm	6 mm	7 mm*	8 mm*
KKLK10024..	PU	-	-	-	-	-	-	-	-
	Pal.	-	50.000	40.000	40.000	40.000	40.000	-	-
KKLK10026..	PU	-	-	-	-	-	-	-	-
	Pal.	-	40.000	40.000	40.000	25.000	-	-	-
KKLK10028..	PU	-	1.000	1.000	500	500	500	-	-
	Pal.	-	50.000	40.000	25.000	25.000	25.000	-	-
KKLK10030..	PU	-	1.000	1.000	1.000	500	-	-	-
	Pal.	-	50.000	50.000	40.000	25.000	-	-	-
KKLK10032..	PU	-	1.000	1.000	500	500	500	-	-
	Pal.	-	40.000	40.000	25.000	25.000	25.000	-	-
KKLK10040..	PU	-	-	-	-	-	-	-	-
	Pal.	-	50.000	40.000	25.000	25.000	20.000	-	-
KKLK10044..	PU	-	1.000	500	500	500	-	-	-
	Pal.	-	40.000	25.000	25.000	20.000	-	-	-
KKLK10046..	PU	-	1.000	500	500	500	500	-	-
	Pal.	-	40.000	25.000	25.000	20.000	12.500	-	-

UNIVERSAL MIX

Colour variations may occur due to recycle base material.

Article Code		1 mm	2 mm	3 mm	4 mm	5 mm	6 mm	7 mm*	8 mm*
Various mixes available on request	PU	-	-	-	-	-	-	-	-
	Pal.	-	-	-	-	-	-	-	-

Wooden glazing blocks

- Available in lengths of 80 and 100 mm
- Glazing material for wood and aluminium systems
- Complies to glazing regulations
- Colour stained
- No toxic fumes
- No hazardous installation fumes
- Length of 100 mm also suitable for smoke and fire detector installations
- Other dimensions possible on request. Minimum ordering quantity 5000 pieces



UNIVERSAL (80 mm)

Colour intensity may vary.

Article Code		1 mm	2 mm	3 mm	4 mm	5 mm	6 mm	7 mm	10 mm	15 mm	20 mm
HKL808..	PU	2.000	2.000	2.000	2.000	2.000	-	-	-	-	-
	Pal.	120.000	120.000	120.000	100.000	100.000	-	-	-	-	-
HKL8010..	PU	-	-	-	-	-	1.000	-	-	-	-
	Pal.	-	-	-	-	-	60.000	-	-	-	-
HKL8012..	PU	2.000	2.000	1.000	1.000	1.000	1.000	-	-	-	-
	Pal.	120.000	120.000	60.000	60.000	60.000	60.000	-	-	-	-
HKL8016..	PU	-	-	1.000	1.000	1.000	-	-	-	-	-
	Pal.	-	-	60.000	60.000	50.000	-	-	-	-	-
HKL8018..	PU	-	1.000*	1.000*	1.000*	1.000*	-	-	-	-	-
	Pal.	-	60.000	60.000	60.000	50.000	-	-	-	-	-
HKL8020..	PU	1.000	1.000	1.000	1.000	1.000	1.000	-	500	250	250
	Pal.	60.000	60.000	50.000	50.000	50.000	40.000	-	25.000	15.000	12.500
HKL8022..	PU	1.000	1.000	1.000	1.000	1.000	500	-	-	-	-
	Pal.	60.000	60.000	50.000	50.000	50.000	30.000	-	-	-	-
HKL8024..	PU	1.000	1.000	1.000	1.000	1.000	500	-	-	-	-
	Pal.	60.000	60.000	60.000	50.000	40.000	30.000	-	-	-	-
HKL8026..	PU	1.000	1.000	1.000	1.000	500	500	500*	-	-	-
	Pal.	60.000	60.000	50.000	50.000	30.000	25.000	25.000	-	-	-
HKL8028..	PU	1.000	1.000	1.000	500	500	500	-	-	-	-
	Pal.	60.000	50.000	50.000	30.000	30.000	30.000	-	-	-	-
HKL8030..	PU	1.000	1.000	1.000	500	500	500	500	-	-	-
	Pal.	60.000	50.000	40.000	30.000	30.000	25.000	25.000	-	-	-
HKL8034..	PU	1.000	1.000	1.000	500	500	500	-	-	-	-
	Pal.	60.000	50.000	40.000	25.000	25.000	25.000	-	-	-	-
HKL8036..	PU	-	1.000	1.000	500	-	-	-	-	-	-
	Pal.	-	25.000	25.000	25.000	-	-	-	-	-	-
HKL8040..	PU	1.000	1.000	500	500	500	500	-	-	-	-
	Pal.	60.000	40.000	30.000	30.000	30.000	25.000	-	-	-	-
HKL8044..	PU	1.000	500	500	500	500	-	-	-	-	-
	Pal.	60.000	25.000	25.000	25.000	25.000	-	-	-	-	-

* Minimum ordering quantity: 5.000 pieces

UNIVERSAL (80 mm)

Colour intensity may vary.

Article Code		1 mm	2 mm	3 mm	4 mm	5 mm	6 mm	7 mm	10 mm	15 mm	20 mm
HKL8046..	PU	1.000	1.000	500	500	500	500	-	-	-	-
	Pal.	60.000	40.000	25.000	25.000	20.000	20.000	-	-	-	-
HKL8048..	PU	500	500	500	-	500	-	-	-	-	-
	Pal.	25.000	25.000	25.000	-	20.000	-	-	-	-	-
HKL8050..	PU	1.000	500	500	500	500	500	-	-	-	-
	Pal.	50.000	50.000	25.000	25.000	20.000	20.000	-	-	-	-
HKL8060..	PU	1.000*	500*	500*	500*	500*	500*	-	-	-	-
	Pal.	50.000	50.000	25.000	25.000	20.000	20.000	-	-	-	-

UNIVERSAL (100 mm)

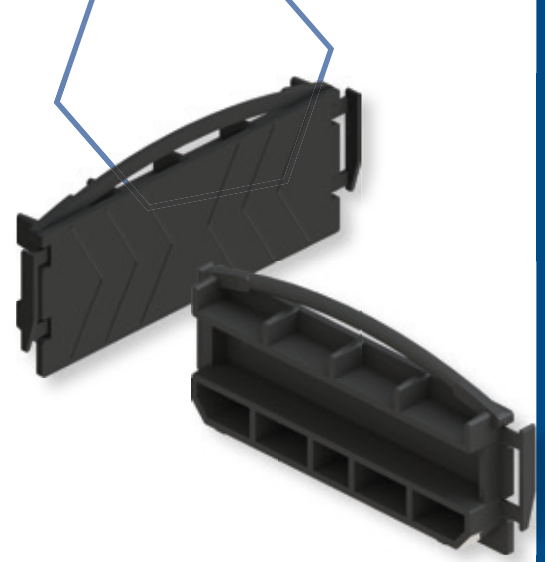
Colour intensity may vary.

Article Code		1 mm	2 mm	3 mm	4 mm	5 mm	6 mm	7 mm	10 mm	15 mm	20 mm
HKL10020..	PU	1.000	1.000	1.000	1.000	500	500	-	-	-	-
	Pal.	60.000	60.000	50.000	50.000	30.000	30.000	-	-	-	-
HKL10022..	PU	1.000	1.000	1.000	1.000	500	500	-	-	-	-
	Pal.	60.000	60.000	50.000	50.000	30.000	25.000	-	-	-	-
HKL10024..	PU	1.000	1.000	1.000	500	500	500	-	-	-	-
	Pal.	60.000	50.000	50.000	25.000	25.000	25.000	-	-	-	-
HKL10026..	PU	1.000	1.000	1.000	1.000	500	500	-	-	-	-
	Pal.	60.000	50.000	50.000	40.000	25.000	25.000	-	-	-	-
HKL10028..	PU	1.000	1.000	1.000	500	500	500	-	-	-	-
	Pal.	60.000	50.000	40.000	30.000	25.000	25.000	-	-	-	-
HKL10030..	PU	-	1.000*	500*	500*	500*	500*	-	-	-	-
	Pal.	-	50.000	25.000	30.000	30.000	25.000	-	-	-	-
HKL10032..	PU	-	-	500	-	-	-	-	-	-	-
	Pal.	-	-	25.000	-	-	-	-	-	-	-
HKL10035..	PU	1.000	1.000	500	500	500	500	-	-	-	-
	Pal.	60.000	40.000	25.000	25.000	25.000	20.000	-	-	-	-
HKL10040..	PU	500*	500	500	500	500	500	-	-	-	-
	Pal.	20.000*	20.000	20.000	20.000	20.000	20.000	-	-	-	-
HKL10044..	PU	-	-	500	-	-	-	-	-	-	-
	Pal.	-	-	20.000	-	-	-	-	-	-	-
HKL10045..	PU	1.000*	500	500	500	500	-	-	-	-	-
	Pal.	20.000	20.000	20.000	20.000	20.000	-	-	-	-	-
HKL10050..	PU	-	500	500	500	500	500	-	-	-	-
	Pal.	-	20.000	20.000	20.000	20.000	20.000	-	-	-	-
HKL10055..	PU	500*	500*	500*	500*	500*	-	-	-	-	-
	Pal.	60.000	20.000	20.000	20.000	20.000	-	-	-	-	-

Glazing bridges for aluminium systems

For window and curtain wall systems. Used for eg. safe load distribution with heavy weight window panes.

- High grade material (PC-ABS) for maximum stability
- Simple assemblage and optimized securing using the clamping system within the frame
- Glazing block safeguard



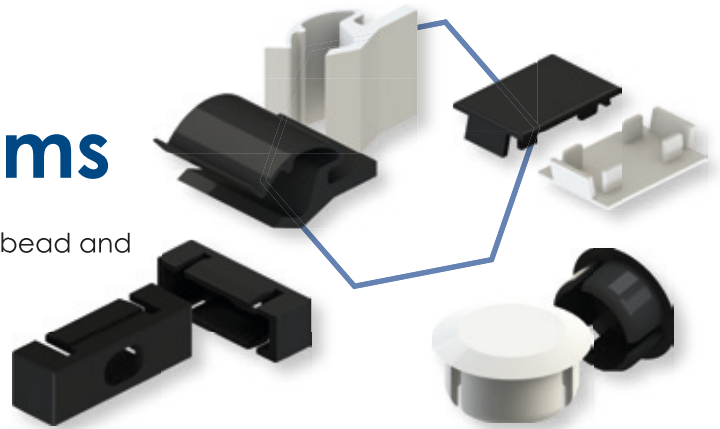
SCHÜCO

Article Code	Description	PU
GFEAWS233482	Glazing bridge fitting to AWS 70.HI and AWS 70 RL.HI	250
GFEAWS233483	Glazing bridge fitting to AWS 70.HI and AWS 70RL.HI	250
GFEAWS288019	Glazing bridge fitting to AWS 75.SI	250
GFEAWS288020	Glazing bridge fitting to AWS 75.SI and AWS 65 / AWS 65.RL	250
GFEAWS288042	Glazing bridge fitting to AWS 65 and AWS 65.RL	250
GFEAWS288042/3	Glazing bridge fitting to AWS 65 and AWS 65.RL (3 mm raised)	250
GFEAWS288043	Glazing bridge fitting to AWS 70.HI and AWS 70 RL.HI	250
GFEAWS288045	Glazing bridge fitting to AWS 65	250
GFEAWS288064	Glazing bridge fitting to AWS 70	250
GFEAWS288163	Glazing bridge fitting to AWS 70.HI and AWS 70 RL.HI	250
GFEAWS288165	Glazing bridge fitting to AWS 75.SI	250
GFEAWS288166	Glazing bridge fitting to AWS 75.SI and AWS 65 / AWS 65.RL	250
GFEAWS288168	Glazing bridge fitting to AWS 70.HI and AWS 70 RL.HI	250

Accessories for aluminium systems

Accessories used to secure frame parts, glazing bead and covering of screws and holes.

- Glazing bead holder
- Slot covers
- Joiners



SCHÜCO

Article Code	Description	PU
GLHS2I3102-W	Glazing bead carrier, fitting System Schüco Royal S / AWS anodized profiles colour: white Assembly in the glazing bar groove	1.000
GLHS2I3102-S	Glazing bead carrier, fitting System Schüco Royal S / AWS colour coated profiles colour: black Assembly in the glazing bar groove	1.000
AKRS2Q8083	Covering caps, rectangular, of plastic, for wall fixing screws; fitting Schüco Royal S and AWS colour: black	500
AKRS2Q8084	Covering caps, rectangular, of plastic, for wall fixing screws; fitting Schüco Royal S and AWS colour: white	500
VSKS2Q8168	Covering caps of plastic, for drill holes diameter 10 mm; fitting Schüco Royal S colour: black	1.000
VSKS2Q8169	Covering caps of plastic, for drill holes diameter 10 mm; fitting Schüco Royal S colour: white	1.000
KEIS2Q8082	Connection clips, mounted on inside of profile, used for flush assembly of aligned profiles; fitting Schüco Royal S	500

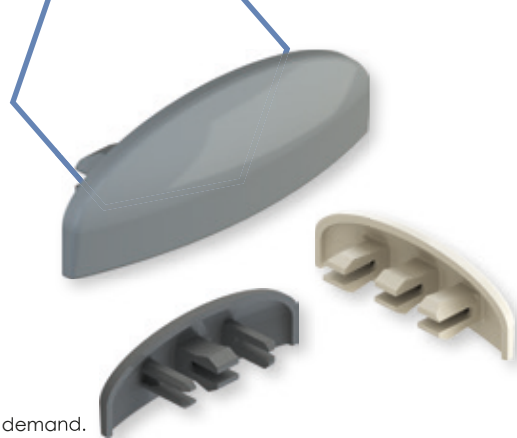
Drain slot covers

- High grade matt scratch-resistant surface material
- Resistant to watery chemicals
- Material and colours UV stable
- Effective clamping up to 5 mm slot height

Standard colours – similar to RAL as listed below.

Minimum ordering quantity 1 PU.

Special colour - minimum order quantity 5.000 or 10.000 pieces per colour. Larger quantities on demand.



DRAIN SLOT COVERS PHI 25

Article Code	Slot Size in mm	Colour*	PU
WSKPHI-1011/25	5 x 25 - 30	Brown beige	500
WSKPHI-7012/25	5 x 25 - 30	Basalt grey	500
WSKPHI-7016/25	5 x 25 - 30	Anthracite grey	500
WSKPHI-7035/25	5 x 25 - 30	Light grey	500
WSKPHI-7040/25	5 x 25 - 30	Window grey	500
WSKPHI-8003/25	5 x 25 - 30	Clay brown	500
WSKPHI-8016/25	5 x 25 - 30	Mahogany brown	500
WSKPHI-8019/25	5 x 25 - 30	Grey brown	500
WSKPHI-8022/25	5 x 25 - 30	Black brown	500
WSKPHI-9003/25	5 x 25 - 30	Signal white	500
WSKPHI-9005/25	5 x 25 - 30	Jet black	500
WSKPHI-9006/25	5 x 25 - 30	White aluminium	500
WSKPHI-9007/25	5 x 25 - 30	Grey aluminium	500
WSKPHI-9016/25	5 x 25 - 30	Traffic white	500

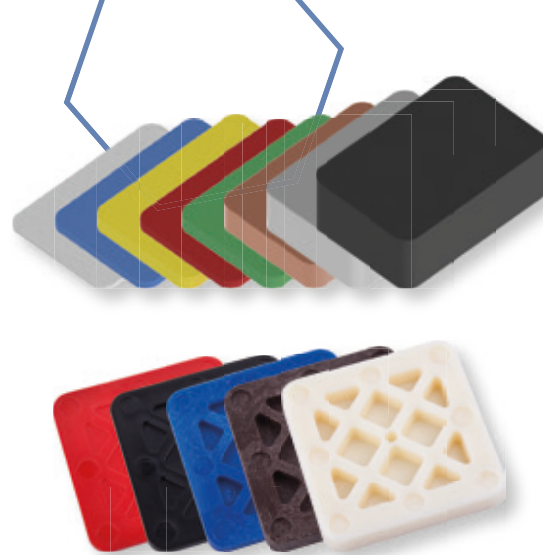
DRAIN SLOT COVERS PHI 30

Article Code	Slot Size in mm	Colour*	PU
WSKPHI-1011	5 x 30 - 35	Brown beige	500
WSKPHI-7012	5 x 30 - 35	Basalt grey	500
WSKPHI-7016	5 x 30 - 35	Anthracite grey	500
WSKPHI-7035	5 x 30 - 35	Light grey	500
WSKPHI-7040	5 x 30 - 35	Window grey	500
WSKPHI-8003	5 x 30 - 35	Clay brown	500
WSKPHI-8016	5 x 30 - 35	Mahogany brown	500
WSKPHI-8019	5 x 30 - 35	Grey brown	500
WSKPHI-8022	5 x 30 - 35	Black brown	500
WSKPHI-9003	5 x 30 - 35	Signal white	500
WSKPHI-9005	5 x 30 - 35	Jet black	500
WSKPHI-9006	5 x 30 - 35	White aluminium	500
WSKPHI-9007	5 x 30 - 35	Grey aluminium	500
WSKPHI-9016	5 x 30 - 35	Traffic white	500

Assembly spacers

Solid levelling blocks made of polypropylene (PP) for adjusting and levelling in window and door installation as well as in interior and dry construction. Can also be used as spacing or levelling block.

- Solid construction - optimized load distribution
- Resistant to most widely used chemicals
- Slip resistant due to very fine gridding
- Compatible to edge seal due to high quality PP
- Multi-usage as levelling or spacer block
- Resistant to ageing



UNIVERSAL

Colour variations may occur due to recycle base material.

Article Code	Dimensions in mm	Thickness in mm	PU	Palettising
ULP406001	40 x 60	1	1.000	60.000
ULP406001,5	40 x 60	1,5	1.000	60.000
ULP406002	40 x 60	2	1.000	60.000
ULP406003	40 x 60	3	1.000	50.000
ULP406004	40 x 60	4	1.000	50.000
ULP406005	40 x 60	5	1.000	40.000
ULP406010	40 x 60	10	500	20.000
ULP406015	40 x 60	15	500	20.000
ULP406020	40 x 60	20	500	12.500
ULP536601,5	53 x 66	1,5	1.000	60.000
ULP536603	53 x 66	3	500	25.000
ULP536605	53 x 66	5	500	25.000
ULP536610	53 x 66	10	250	12.500
ULP536615	53 x 66	15	250	12.500
ULP536620	53 x 66	20	250	12.500
ULP707002	70 x 70	2	500	12.500
ULP707003	70 x 70	3	500	12.500
ULP707004	70 x 70	4	500	12.500
ULP707005	70 x 70	5	250	12.500
ULP707006	70 x 70	6	250	12.500
ULP707010	70 x 70	10	250	12.500

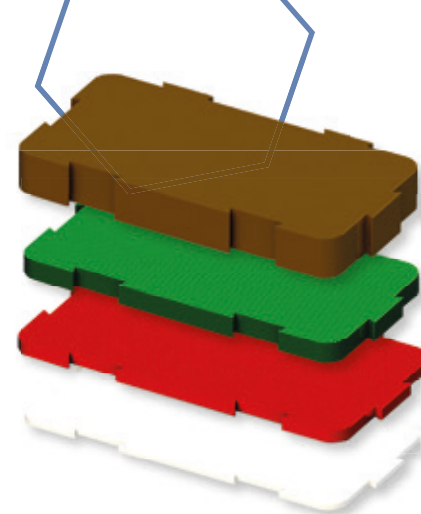
UNIVERSAL MIX

Colour variations may occur due to recycle base material.

Article Code		1,5 mm	2 mm	3 mm	5 mm	6 mm	10 mm
ULP5366MIX60	Cont.	15	-	15	15	-	15
	PU	60					
ULP5366MIX200	Cont.	50	-	50	50	-	50
	PU	200					
ULP7070MIX50	Cont.	-	10	10	10	10	10
	PU	50					
ULP7070MIX200	Cont.	-	40	40	40	40	40
	PU	200					

Vario assembly spacer

- Made from high grade PP regranulate
- Anti-slip surface
- Basic size 80 x40 mm
- Thickness: 1,5 mm / 3mm / 5mm / 10 mm
- Pressure resistant; chemical persistent
- For load transference, load distribution and as spacers
- Universal, eliminates the usage of various different sizes.
- Easy assembly (plug-in nodes)



UNIVERSAL

Colour variations may occur due to recycle base material.

Article Code	Dimensions in mm	Thickness in mm	PU	Palettising
ULPVARIO804001,5	80 x 40	1,5	1.000	60.000
ULPVARIO804003	80 x 40	3	1.000	50.000
ULPVARIO804005	80 x 40	5	1.000	40.000
ULPVARIO804010	80 x 40	10	500	20.000



Assembly grid blocks

For exact adjusting and levelling as well as heavy-duty load distribution. The grid blocks are studded and have complementing hollow chambers allowing numerous grid blocks of varying thickness to be stacked on top of each other.

- Ideal for levelling and adjusting
- Multiple usage
- Resistant to temperature changes
- Stackable



UNIVERSAL

Article Code	Dimensions in mm	Thickness in mm	PU	Palettising
UGK805002	80 x 50	2	500	25.000
UGK805003	80 x 50	3	500	25.000
UGK805005	80 x 50	5	500	25.000
UGK805007	80 x 50	7	500	25.000
UGK805010	80 x 50	10	500	25.000
UGK805015	80 x 50	15	250	12.500
UGK805020	80 x 50	20	250	12.500
UGK1205002	120 x 50	2	500	25.000
UGK1205003	120 x 50	3	250	12.500
UGK1205005	120 x 50	5	250	12.500
UGK1205007	120 x 50	7	250	12.500
UGK1205010	120 x 50	10	250	12.500
UGK1205015	120 x 50	15	100	5.000
UGK1205020	120 x 50	20	100	5.000
UGK1605002	160 x 50	2	250	12.500
UGK1605003	160 x 50	3	250	12.500
UGK1605005	160 x 50	5	250	12.500
UGK1605007	160 x 50	7	250	12.500
UGK1605010	160 x 50	10	250	12.500
UGK1605015	160 x 50	15	100	5.000
UGK1605020	160 x 50	20	100	5.000
UGK1406502	140 x 65	2	250	12.500
UGK1406503	140 x 65	3	250	12.500
UGK1406505	140 x 65	5	250	12.500
UGK1406510	140 x 65	10	250	12.500
UGK1406515	140 x 65	15	100	5.000
UGK1406520	140 x 65	20	100	5.000

UNIVERSAL MIX

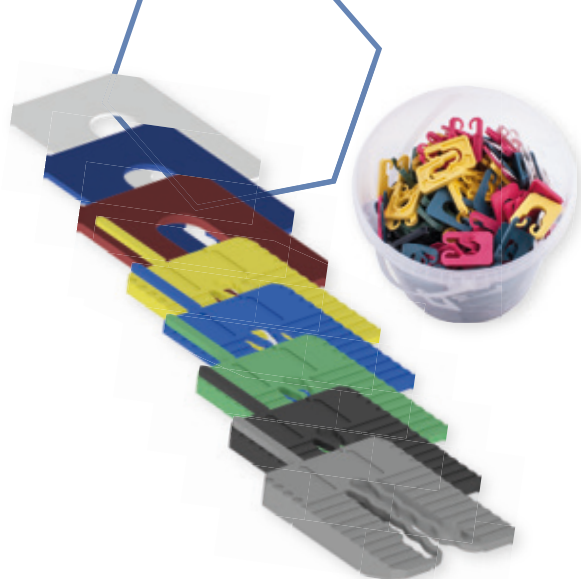
Article Code		2 mm	3 mm	5 mm	7 mm	10 mm	15 mm	20 mm
UGK8050MIX155	Cont.	30	30	30	20	20	20	5
	PU	155						
UGK14065MIX100	Cont.	20	20	20	-	20	20	-
	PU	100						
UGK16050MIX80	Cont.	20	10	20	-	10	10	-
	PU	80						

Additional Mixes available on request.

Assembly fix

The ideal assembly helpers when mounting windows and doors, for wooden construction as well as dry construction.

- Ideal for vertical levelling, adjusting and straightening
- Quick and firm assembly
- Fixing hooks avoid slipping
- MTF GRIP „vane“ for exact positioning at all angles



UNIVERSAL

Colour variations may occur due to recycle base material.

Article Code	Dimensions in mm	Thickness in mm	PU	Palettising
MTF403001	40 x 30	1	1.000	100.000
MTF403002	40 x 30	2	1.000	100.000
MTF403003	40 x 30	3	1.000	100.000
MTF403004	40 x 30	4	1.000	60.000
MTF403005	40 x 30	5	1.000	60.000
MTF403006	40 x 30	6	1.000	60.000
MTF403008	40 x 30	8	1.000	60.000
MTF403010	40 x 30	10	1.000	50.000
MTF604501	60 x 45	1	1.000	100.000
MTF604502	60 x 45	2	1.000	100.000
MTF604503	60 x 45	3	1.000	50.000
MTF604504	60 x 45	4	1.000	50.000
MTF604505	60 x 45	5	1.000	50.000
MTF604506	60 x 45	6	1.000	50.000
MTF604508	60 x 45	8	500	25.000
MTF604510	60 x 45	10	500	20.000
MTFGRIP403001	40 x 30	1	1.000	100.000
MTFGRIP403002	40 x 30	2	1.000	100.000
MTFGRIP403003	40 x 30	3	1.000	100.000
MTFGRIP403004	40 x 30	4	1.000	100.000
MTFGRIP403005	40 x 30	5	1.000	100.000
MTFGRIP403010	40 x 30	10	1.000	100.000
MTFGRIP604501	60 x 45	1	1.000	100.000
MTFGRIP604502	60 x 45	2	1.000	100.000
MTFGRIP604503	60 x 45	3	1.000	100.000
MTFGRIP604504	60 x 45	4	1.000	50.000
MTFGRIP604505	60 x 45	5	500	50.000
MTFGRIP604510	60 x 45	10	500	50.000

UNIVERSAL MIX

Colour variations may occur due to recycle base material.

Article Code		1 mm	2 mm	3 mm	4 mm	5 mm	6 mm	8 mm	10 mm
MTF4030MIX240	Content	30	30	30	30	30	30	30	30
	PU	240							
MTF6045MIX80	Content	10	10	10	10	10	10	10	10
	PU	80							
MTF6045MIX240	Content	30	30	30	30	30	30	30	30
	PU	240							

Assembly accessories

These accessories can be used in all PVC and hard wood construction.

- Easy to use
- Multi-purpose usage
- Anti-slip toothing



PP assembly wedge UNIVERSAL

Article Code	Thickness in mm	Dimensions in mm	PU	Colour / slit
KMKE954415	15	95,5 x 44	500	black / without slit
KMKE63288,5	8,5	63 x 28	1.000	red / without slit
KMKE69,53510,5	10,5	69,5 x 35	1.000	yellow / with slit
KMKE76,53810	10	76,5 x 38	1.000	white / with slit
KMKE874315,5	15,5	87 x 43	500	grey / with or without slit
KMKE1354324	24	135 x 24	250	black / with or without slit

Assembly wedge MIX of PP in bucket UNIVERSAL MIX

Article Code		63 x 28 x 8,5 mm	69,5 x 35 x 10,5 mm	76,5 x 38 x 10 mm	87 x 43 x 15,5 mm	135 x 43 x 24 mm
KMKE MIX61	Content	20	15	12	10	4
	PU	61				
KMKE MIX120	Content	40	30	25	20	5
	PU	120				
KMKE MIX240	Content	80	60	50	40	10
	PU	240				

Block chains of PP (length 300 mm) to be cut to size UNIVERSAL

Article Code		2 mm	3 mm	4 mm	5 mm	6 mm	10 mm
KKK30080..	PU	300	200	150	120	100	50
	Pal.	15.000	10.000	7.500	6.000	5.000	250

Wooden assembly wedge UNIVERSAL

Article Code	Thickness in mm	Dimensions in mm	PU	Palettising
HMKE55107	7	55 x 10	1.000	50.000
HMKE554025	25	55 x 40	250	12.500
HMKE602515	15	60 x 25	500	25.000
HMKE804010	10	80 x 40	250	15.000
HMKE804015	15	80 x 40	250	12.500
HMKE804025	25	80 x 40	250	10.000
HMKE80488	8	80 x 48	250	15.000
HMKE804830	30	80 x 48	150	7.500
HMKE1002025	25	100 x 20	250	12.500
HMKE1002518	18	100 x 25	250	12.500
HMKE1504025	25	50 x 40	250	12.500

Assembly wedge MIX 35 of wood in plastic bucket UNIVERSAL MIX

Article Code	Thickness in mm	Dimensions in mm	Content	PU
HMKEMIX35	8	80 x 48	5	35
	10	80 x 40	5	
	15	80 x 40	5	
	25	80 x 40	5	
	30	80 x 48	5	
	18	100 x 25	5	
	25	100 x 20	5	

Assembly wedge of wood in plastic bucket UNIVERSAL

Article Code	Thickness in mm	Dimensions in mm	PU
HMKE804010E	10	80 x 40	150
HMKE804015E	15	80 x 40	100
HMKE804025E	25	80 x 40	100
HMKE1002518E	18	100 x 25	150

Assembly blocks of beech wood UNIVERSAL

Article Code	Thickness in mm	Dimensions in mm	PU	Palettising
HMKL501512	12	50 x 15	500	30.000
HMKL55408	8	55 x 40	250	15.000
HMKL554010	10	55 x 40	250	15.000
HMKL803830	30	80 x 38	200	8.000
HMKL804010	10	80 x 40	250	12.500
HMKL804015	15	80 x 40	250	10.000
HMKL80408	8	80 x 40	250	15.000
HMKL804830	30	80 x 48	100	5.000
HMKL80545	45	80 x 54	500	40.000

Assembly blocks of beech wood in plastic bucket UNIVERSAL

Article Code	Thickness in mm	Dimensions in mm	PU
HMKL55408E	8	55 x 40	100
HMKL55410E	10	55 x 40	100
HMKL804010E	10	80 x 40	100
HMKL804015E	15	80 x 40	100

Assembly block MIX 120 of beech wood in plastic bucket UNIVERSAL

Article Code	Thickness in mm	Dimensions in mm	Content	PU
HMKLMIX120	8	55 x 40	30	120
	10	55 x 40	30	
	10	80 x 40	30	
	15	80 x 40	30	

Glazing shovels UNIVERSAL

Article Code	Material	PU
KLH-KU	PVC	20
KLH-HO	Wood	20
KLH-HK	Wood-PVC	20

Copyright Notice

All texts, photos, graphics etc. used in this catalogue are copyright protected. Any usage of any parts of this catalogue require the specific consent of PHI Technik für Fenster und Türen GmbH or of the author / authorized user.

Photos: © PHI

PHI

Kompetenz in Kunststoff



How to contact us...

Homepage:

www.phi-info.de

Phone:

+49 9106 9299 - 0

Fax:

+49 9106 9299 - 10

Email:

info@phi-info.de

Address:

PHI Technik für Fenster und Türen GmbH
Lerchenfeld 5-7
D-91459 Markt Erlbach
Germany