

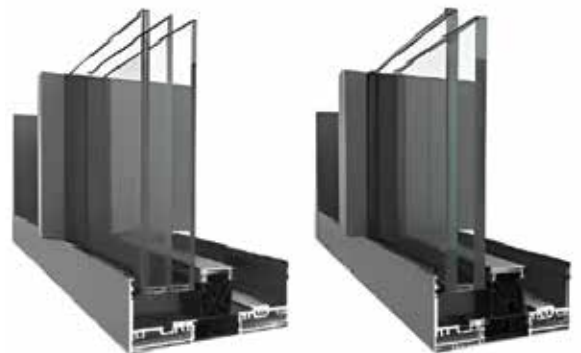


# *Aluminium System Hardware Catalogue*

EDITION - 3



**CROME®**



[www.vardhamangrp.com](http://www.vardhamangrp.com)

# ABOUT VARDHAMAN

**VARDHAMAN GROUP** has been a pioneering and specialized establishment engaged in Research, Development, Manufacturer, Import & Exports and Marketing of Architectural Hardware fittings for Aluminium, UPVC and Glass Industry. We at **VARDHAMAN GROUP** partners with clients to generate solutions that foster productivity, performance and effectiveness. Adhering to the utmost ethical morals and obsessed by a single-minded pursuit of excellence, we aspire to surpass client's expectations.

## INFRASTRUCTURE

In-house processes, In-depth solutions from the drawing board to the dispatch area; we have a wide range of highly automated processes under one roof. Using hi-end software, our Design & Development department successfully takes up R&D and tooling of diverse products. We at **VARDHAMAN GROUP** are supplying and delivering high quality products and services to these industries through a TEAM of highly skilled labor

CROME, the first in-house brand of Vardhaman Group, has been a game-changer ever since its inception in 2007. It has been instrumental in driving growth and development of various innovative and high-quality products. With its success, CROME has paved the way for the introduction of new brands under the Vardhaman Group. Join the winning team and experience the transformative power of CROME.

# Product Development to suit your needs

For System Designers, Manufacturers & Fabricators

We specialize in offering customized hardware products in the following areas:

- Sheet metal press / stampings
- pressure die casting (Aluminium & Zamaz)
- Extruded Plastics
- Plastic injection molding
- Extruded aluminium products

## 01

### REQUIREMENT ANALYSIS

- Product Need
- Application Details
- Constraint Analysis

## 02

### PRODUCT DESIGN AND DEVELOPMENT

- Concept design
- Assembly & Fitment verification
- Prototype
- Testing Tool & SPM developments

## 03

### MANUFACTURING AND SUPPLY

- Production
- Quality inspection
- Assembly & packaging

# INDEX

---

**01**

**Chrome Sliding Folding Door System**

**03**

**UP Folding Window System**

**04**

**Vertical Sliding Window system**

---

**05**

**Concealed Window Lock**

**13**

**Sliding Door Lock**

**17**

**Multipoint Locking Accessories**

---

**21**

**Casement Handle**

**27**

**Friction Hinges**

**29**

**Casement Hinges**

---

**32**

**Domal Casement System Window Hardware**

**35**

**Mortise Lock Set**

**38**

**Parallel Friction Stay**

---

**39**

**Security Mesh Black Epoxy**

**40**

**SS Rollers**

**45**

**Domal Sliding System Window Hardware**

---

**62**

**Domal System Accessories**

---

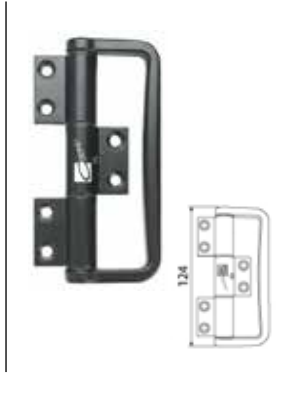
# SLIDING FOLDING DOOR SYSTEM



**Top Roller**



**Bottom Roller**



**Hinges with Handle**



**Hinges**



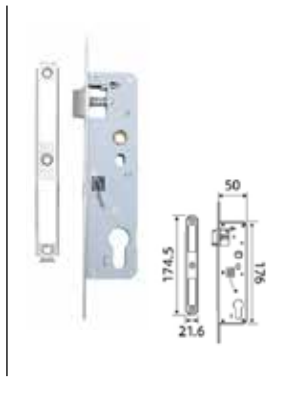
**Pop-Up Handle**



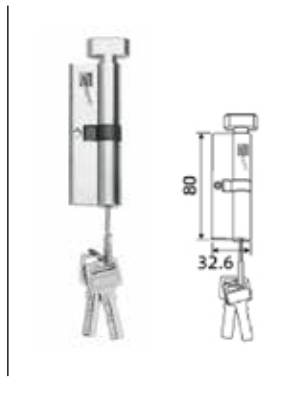
**Transmission Bar**



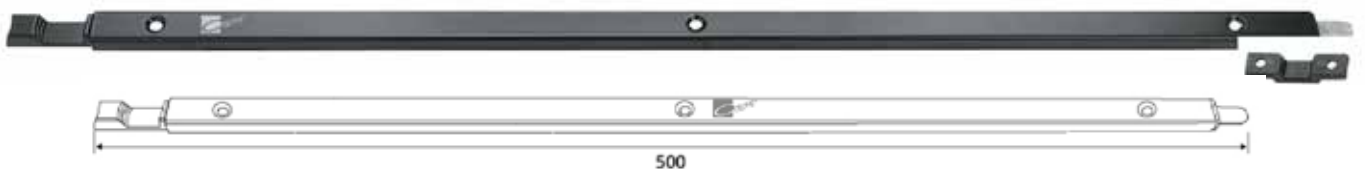
**Mortise Handle**



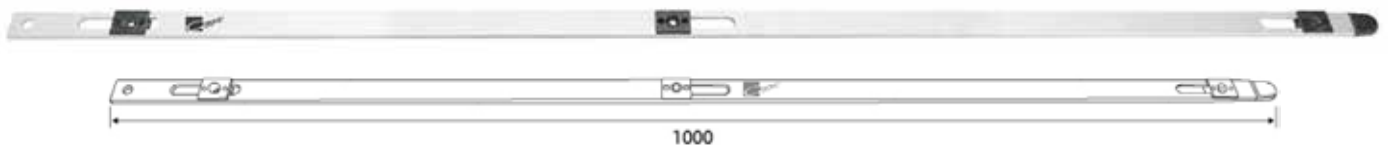
**Mortise Lock**



**Cylinder**



**Shoot Bolt**

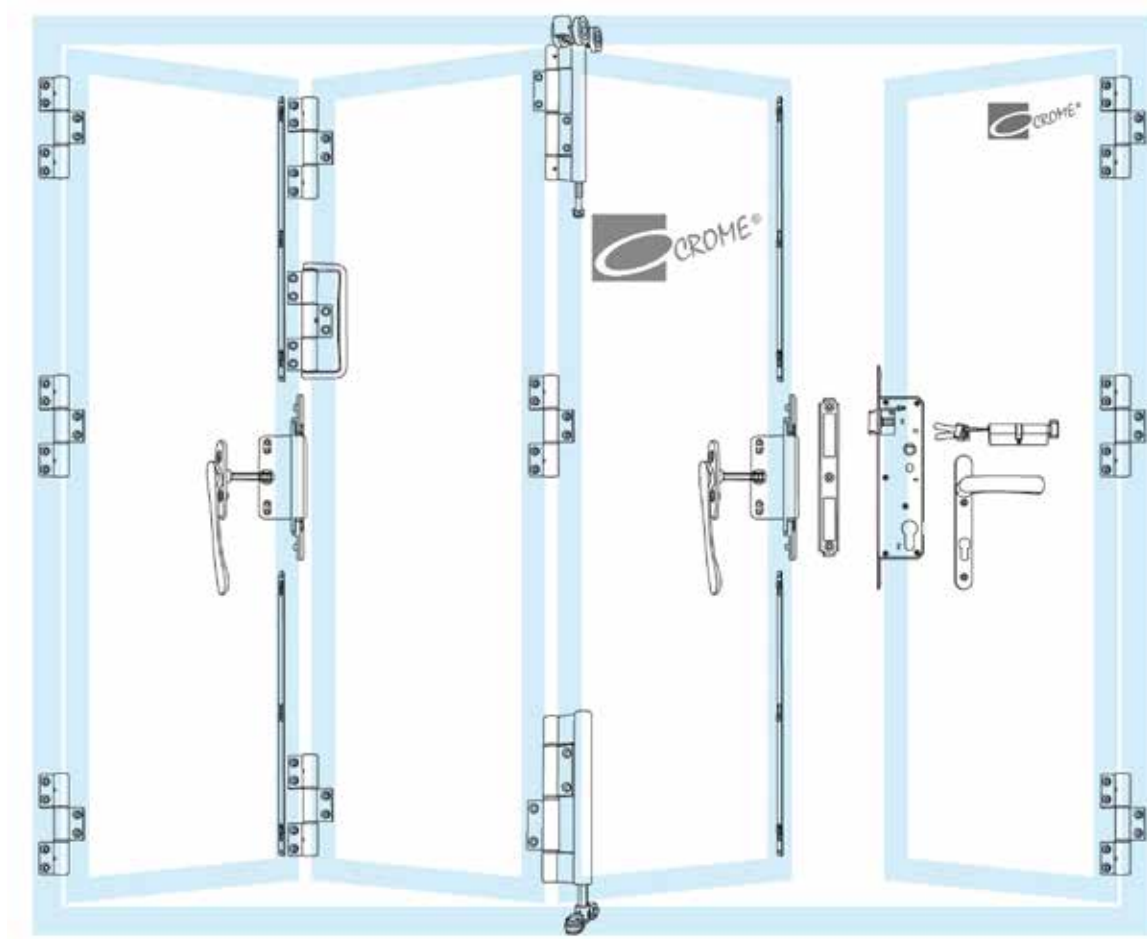


**Aluminium ESPG**



# SLIDING FOLDING DOOR SYSTEM

---







## UP FOLDING WINDOW SYSTEM

---



- Contemporary
- Sustainable
- Custom Designed Product
- Saves Space
- Allows Max. Open Space
- Easy to Access
- Aesthetic Design

## VERTICAL SLIDING WINDOW SYSTEM

---



- Classic design using modern materials
- Easy to clean, both on the inside and out
- Low maintenance,
- great functionality
- natural lighting
- High airflow ventilation.
- Safe and secure



## CONCEALED WINDOW LOCK

---





## CONCEALED WINDOW LOCK

### CRCL 66



- Multipoint Locking
- Smooth Locking & Unlocking

#### Compatibility & Cut Out

- Compatible with 22 to 45mm Sliding Series

#### Lock Finish



Black Silver Gold

### CRCL 72



- Multipoint Locking
- Smooth Locking & Unlocking

#### Compatibility & Cut Out

- Compatible with 22 to 45mm Sliding Series

#### Lock Finish



Black Silver Gold

# CONCEALED WINDOW LOCK

## CRCL 30



- Single Point Locking
- Aluminium Body
- Smooth Locking & Unlocking

### Compatibility & Cut Out

- Compatible with 20 to 45mm Sliding Series
- Cut out on profile

### Lock Finish



Black White Gold Silver

## CRCL 31



- Single Point Locking System with Key
- Aluminium Body
- Smooth Locking & Unlocking

### Compatibility & Cut Out

- Compatible with 20 to 45mm Sliding Series
- Cut out on profile

### Lock Finish



Black White Gold Silver

## CONCEALED WINDOW LOCK

### CRCL 32



- Multipoint Locking
- Aluminium Body
- Smooth Locking & Unlocking

#### Compatibility & Cut Out

- Compatible with 20 to 45mm Sliding Series
- Cut out on profile

#### Lock Finish



Black White Gold Silver

### CRCL 33



- Multipoint Locking System with Key
- Aluminium Body
- Smooth Locking & Unlocking

#### Compatibility & Cut Out

- Compatible with 20 to 45mm Sliding Series
- Cut out on profile

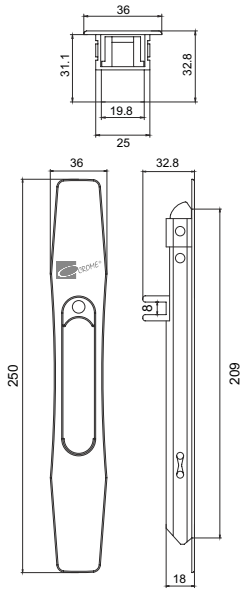
#### Lock Finish



Black White Gold Silver

# CONCEALED WINDOW LOCK

## CRCL 21



- Manual Multipoint Locking
- Aluminium Body
- Smooth Locking & Unlocking

### Compatibility & Cut Out

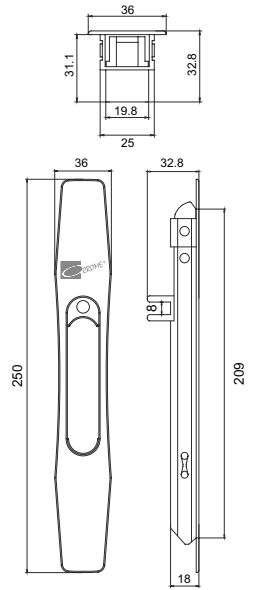
- Compatible with 20 to 45mm Sliding Series
- Cut out on profile

### Lock Finish



Black White Gold Silver

## CRCL 22



- Automatic Multipoint Locking
- Aluminium Body
- Smooth Locking & Unlocking

### Compatibility & Cut Out

- Compatible with 20 to 45mm Sliding Series
- Cut out on profile

### Lock Finish



Black White Gold Silver



## CONCEALED WINDOW LOCK

### CRCL 24



- Single Point Locking
- Aluminium Body
- Smooth Locking & Unlocking

#### Compatibility & Cut Out

- Compatible with 20 to 45mm Sliding Series
- Cut out on profile

#### Lock Finish



Black Silver Gold

### CRCL 60



- Multipoint Locking System Button Type
- Smooth Locking & Unlocking

#### Compatibility & Cut Out

- Compatible with 20 to 45mm Sliding Series
- Cut out on profile

#### Lock Finish



Black Silver Gold

# CONCEALED WINDOW LOCK

## CRCL 15



- Single Point Locking
- Zinc Body

### Compatibility & Cut Out

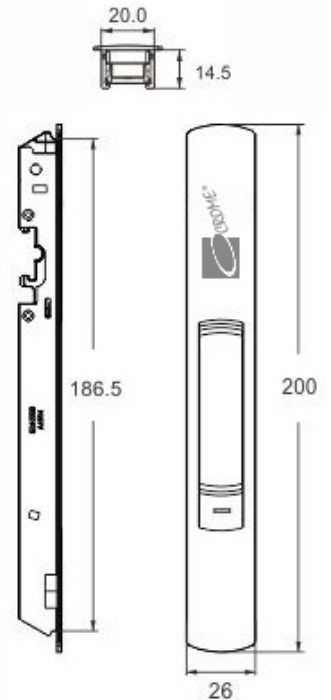
- Compatible with 25 to 45mm Sliding Series
- Cut out on profile

### Lock Finish



Black White Grey

## TOKYO



- Single Point Locking
- Aluminium Body
- Top Quality Built & Adjustable Reciever

### Compatibility & Cut Out

- Compatible with 25 to 45mm Sliding Series
- Cut out on profile

### Lock Finish



Black White Grey

# CONCEALED WINDOW LOCK

## CRCL 1



## CRCL 12






## CRCL 1 WITH DUCK HOOK



## CRCL 1 WITH ZINC HOOK

### Lock Finish



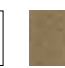



 Any other colors against order  
 Black White Grey

- Single Point Locking
- Aluminium Body
- Smooth Locking & Unlocking

### Compatibility & Cut Out

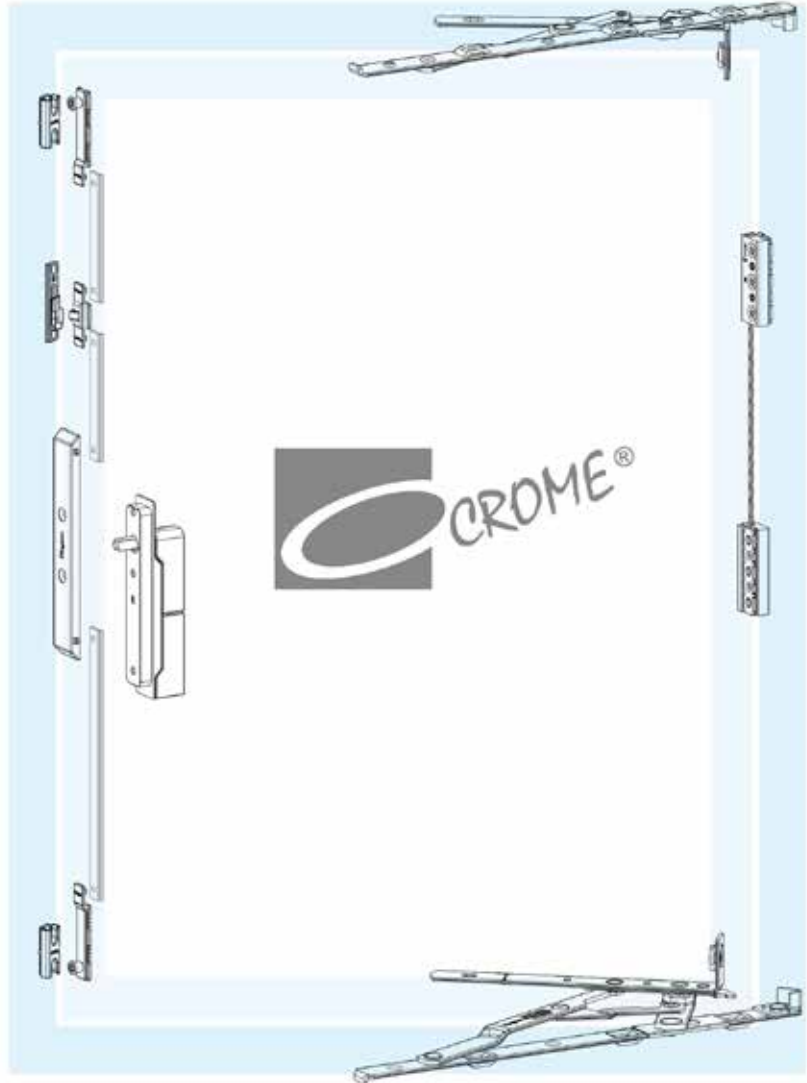
- Compatible with 25 to 45mm Sliding Series
- Cut out on profile

### Lock Finish




 Any other colors against order  
 Black White Gold

# SLIDING DOOR LOCK

## SYDNEY



### Slim Door Lock

- Multipoint Locking
- Aesthetic Look
- High Quality Built & Mechanism

### Compatibility & Cut Out

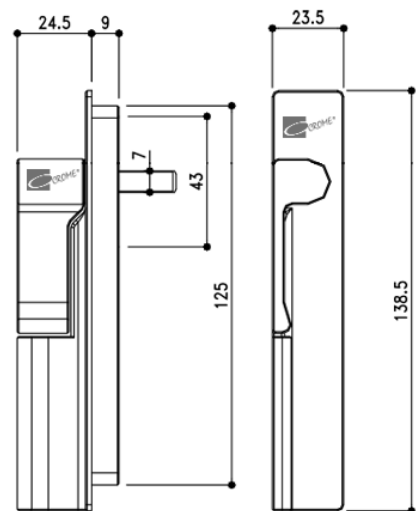
- Compatible with Slim Series & 20 to 45mm

Sliding Series

### Lock Finish



Black Silver



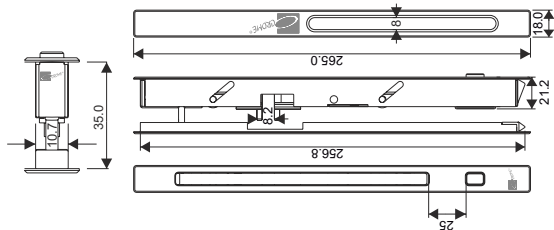


# SLIDING DOOR LOCK

## ROME



Press Button to Release Handle For Sliding



### Sleek Door Lock

- Multipoint Locking
- Aluminium Body
- High Quality Built & Mechanism

### Compatibility & Cut Out

- Compatible with 20 to 45mm Sliding Series
- Cut out on profile 253\*11mm

### Lock Finish



Black Champagne

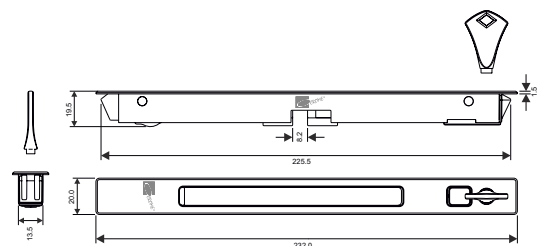


SCAN QR FOR VIDEO APPLICATION

## SPAIN



Press Button to Release Handle For Sliding



### Sleek Door Lock

- Multipoint Locking
- Aluminium Body
- High Quality Built & Mechanism

### Compatibility & Cut Out

- Compatible with 20 to 45mm Sliding Series
- Cut out on profile 225\*13mm

### Lock Finish



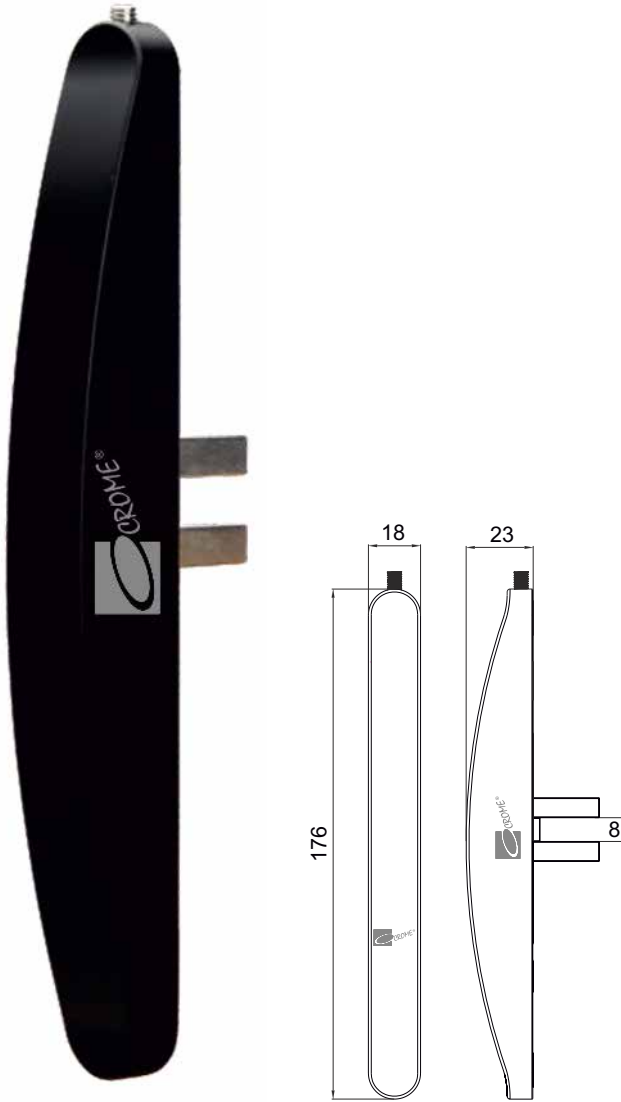
Black Champagne



SCAN QR FOR VIDEO APPLICATION

# SLIDING DOOR LOCK

## TURKEY



- Manual Multipoint Locking
- Aluminium Body
- Smooth Locking & Unlocking

### Compatibility & Cut Out

- Compatible with 20 to 45mm Sliding Series
- Cut out on profile 46\*6mm | H2H-78.4mm

### Lock Finish



Black Silver

## PARIS



- Manual Multipoint Locking
- Aluminium Body
- High Quality Built & Mechanism

### Compatibility

- Compatible with 27 to 45mm Sliding Series

### Lock Finish



Black Brown Grey White Golden Brn.



SCAN QR FOR VIDEO APPLICATION

# SLIDING DOOR LOCK

## BERLIN



- Multipoint Handle
- Smooth Locking & Unlocking

### Compatibility & Cut Out

- Compatible with 25 to 45mm Sliding Series

### Lock Finish



Black Silver

## DUBAI



- Multipoint Locking
- Zinc Body
- Pop up handle with key

### Compatibility

- Compatible with 27 to 45mm Sliding Series

### Lock Finish



Black Silver

# MULTIPOINT LOCKING ACCESSORIES

## VCAN SLIDING ESPG (7.5mm Backset)



Size : 400mm | 600mm | 800mm | 1000mm | 1200mm | 1400mm | 1600mm | 1800mm

All ESPG Comes With It's Respective Locking Keeps, Need Not Buy It Separately

**VH-4**



White
  Black
  Brown

SLIDING HANDLE

**VH-5**



White
  Black
  Brown

SHORT NECK SLIDING HANDLE

**VH-6**



White
  Black
  Brown

SLIDING HANDLE WITH KEY

**CRWH-40**



Black
  Grey
  White

HEAVY SLIDING HANDLE

**VH-8**



White
  Black
  Brown

DOUBLE SIDE HANDLE WITH KEY & ONE SIDE KNOB

**VH-9**



White
  Black
  Brown

DOUBLE SIDE HANDLE WITH KEY & ONE SIDE KNOB

**VH-19**



White
  Black
  Brown

DOUBLE SIDE HANDLE WITH KEY & ONE SIDE PLAIN

**VH-10**



White
  Black
  Brown

POP UP HANDLE

**VH-11**



White
  Black
  Brown

POP UP HANDLE WITH KEY

**VH-21**



White
  Black
  Brown
  Grey

SHORT NECK HANDLE RIGHT/LEFT

**CRWH-51**



Black
  Grey
  White

SHORT NECK HANDLE RIGHT/LEFT

**VH-15**



White
  Black
  Brown

POP UP HANDLE



# ALUMINIUM BAR | TRANSMISSION ROD | PLASTIC ESPG



## Transmission Rod | Espag

- Material - Aluminium
- Multi Point Locking Accessory

## Compatibility & Cut Out

- Compatible with all multipoint locks

## Size

400mm | 600mm | 800mm | 1000mm |  
1200mm | 14000



## Multipoint Locking System

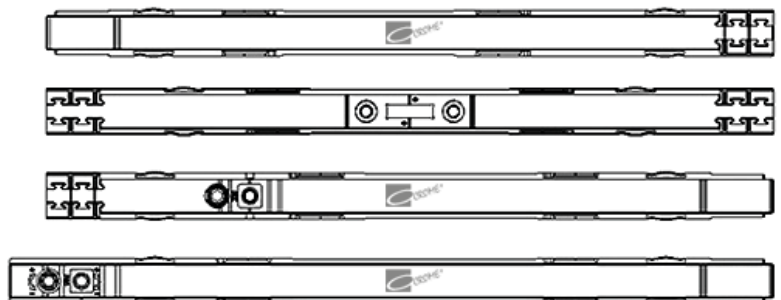
- Polyamide Make With Metal Moulding
- Interlock System
- Easy To Install

## Compatibility & Cut Out

- Compatible With Series With Euro Groove
- Cut Out On Profile

## Accessories

- Center Locking Connector
- Interlock Extension Cord
- Locking Reciever





## POLYAMIDE STRIP



### Polyamide Strip

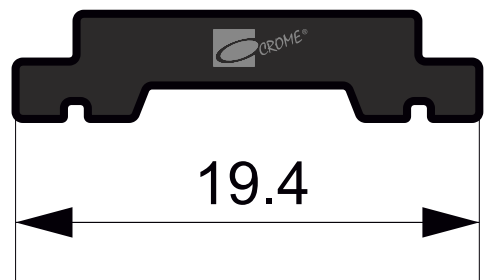
- Polyamide Make
- Multi Point Locking Accessory
- Sound Free Performance

### Compatibility

- Compatible with Series with Euro Groove

### Size

19.4mm, 16mm, 14.8mm, 22mm, 25mm



## MULTIPOINT LOCKING ACCESSORIES



CMA-2



CMA-3

# MULTIPOINT LOCKING ACCESSORIES



**CMA-4**



**CMA-5**



**CMA-6**



**CMA-7**



**CMA-8**



**CMA-9**



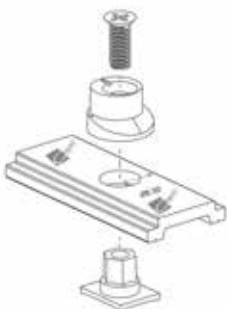
**CMA-10**



**CMA-11**



**CMA-12**



**CMA-13**



**CMA-14**



**CMA-15**

## CASEMENT HANDLES

---

### CRWH 40

#### Compatibility & Cut Out

- Compatible with 40 to 52 Casement Series

#### Handle Finish



Black Grey White



---

### CRWH 44

#### Compatibility & Cut Out

- Compatible with 45 to 52 Casement Series
- Left Side & Right Side Handle

#### Handle Finish



Black White





## CASEMENT HANDLES

---

### CRWH 45



#### Compatibility & Cut Out

- Compatible with 45 to 52 Casement Series
- Left Side & Right Side Handle

#### Handle Finish



Black White

---

### CRWH 51



#### Compatibility & Cut Out

- Compatible with 45 to 52 Casement Series
- Left Side & Right Side Handle

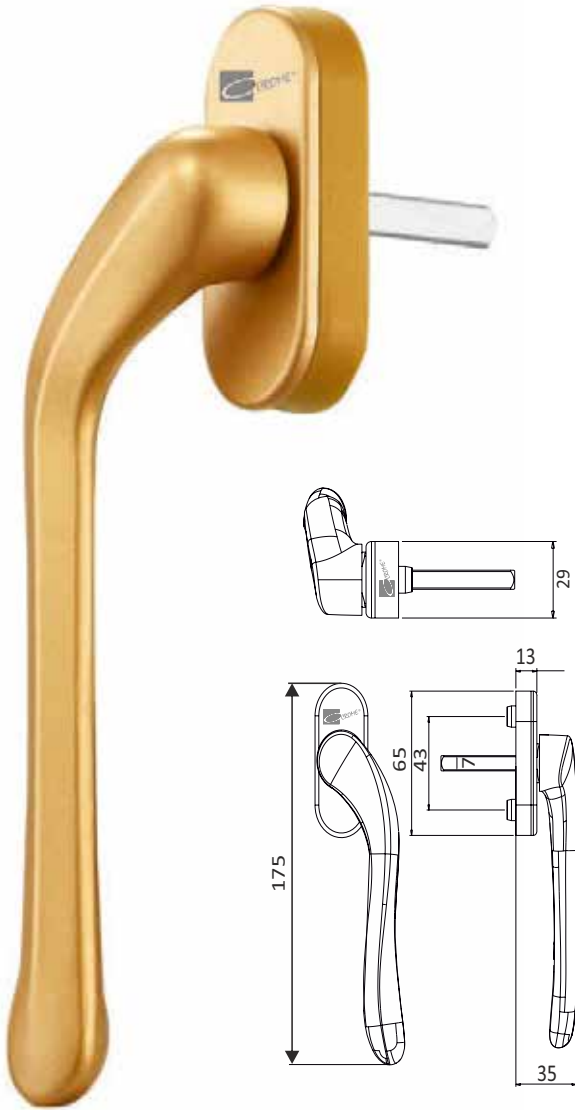
#### Handle Finish



Black Grey White

# CASEMENT HANDLES

## VH 21 (Left / Right)



- Aluminium Body
- Smooth Functionality
- Multi Point Locking

### Compatibility & Cut Out

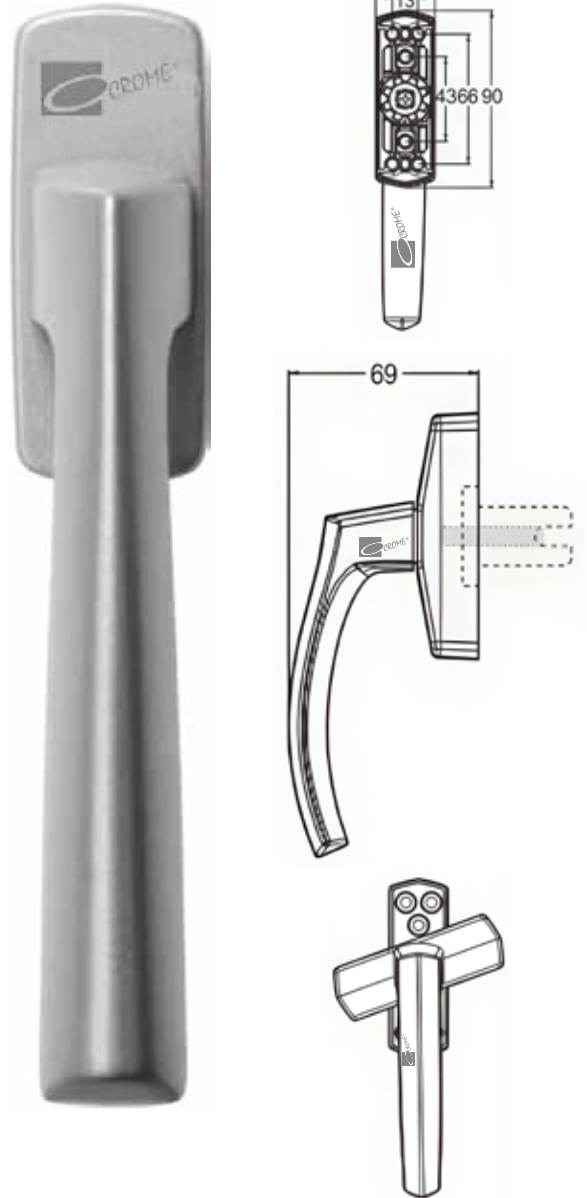
- Compatible with 40 to 50 Casement Series
- Cutout On Profile

### Handle Finish



Black Brown Grey White

## LONDON



- Spindle & U Fork Acc.
- Top Quality Built
- Multi Point Locking

### Compatibility & Cut Out

- Compatible with 45 to 50 Casement Series
- Cut out on profile

### Handle Finish



Black White Grey

## CASEMENT HANDLES

### CRWH 15 (Left / Right)



- Aluminium Body
- Single Point Locking
- Handle with Key

#### Compatibility & Cut Out

- Compatible with 30 to 50 Casement Series
- Cut out on profile

#### Lock Finish



Black White

### CRWH 21



- Aluminium Body
- Easy to Install
- Multi Point Locking

#### Compatibility & Cut Out

- Compatible with 40 to 50 Casement Series
- Cut out on profile

#### Lock Finish



Black White

# CASEMENT HANDLES

## CRWH - 1



### Handle Finish

- Single Point Locking



Black White

## CRWH - 2



### Handle Finish

- Single Point Locking



Black White

## CRWH - 3



### Handle Finish

- Centre Locking Handle



Black White

## CRWH - 5



### Handle Finish

- Multi Point Locking



Black White

## CASEMENT HANDLES

### CRWH - 9



- Single Point Locking

#### Handle Finish



Black White

### CRWH - 12



- Centre Locking Handle with Key

#### Handle Finish



Black White

### CRWH - 20



- Multi Point Locking

#### Handle Finish



Black White

### CRWH - 27



- Detachable type Handle
- Multi Point Locking

#### Handle Finish



Black White



## FRICTION HINGES / STAYS & FRICTION ARM (WINDOW STAY)

### CROME FRICTION STAY (HEAVY) (SS-202 GRADE)



Thickness	2.5mm Heavy				3mm Heavy			
Size in mm	200mm	250mm	300mm	350mm	400mm	450mm	500mm	600mm
Size in Inch	8"	10"	12"	14"	16"	18"	20"	24"

### VCAN FRICTION STAY (MEDIUM) (SS-202 GRADE)



Thickness	2mm Medium				2.5mm	3mm Heavy			
Size in mm	200mm	250mm	300mm	350mm	400mm	450mm	500mm	550mm	600mm
Size in Inch	8"	10"	12"	14"	16"	18"	20"	22"	24"

## FRICITION HINGES / STAYS & FRICTION ARM (WINDOW STAY)

### CROME FRICTION ARM (HEAVY) (SS-202 & SS-304 GRADE)



SCAN QR FOR  
VIDEO APPLICATION

Thickness	2.5mm Heavy			
Size in mm	200mm	250mm	300mm	350mm
Size in Inch	8"	10"	12"	14"

### CROME RACHET STAY (SS-304)



### CROME INVISIBLE HINGES



# CASEMENT HINGES



## CR 411

- Aluminium Make
- Smart Design
- 100kg Capacity / set

### Compatibility & Cut Out

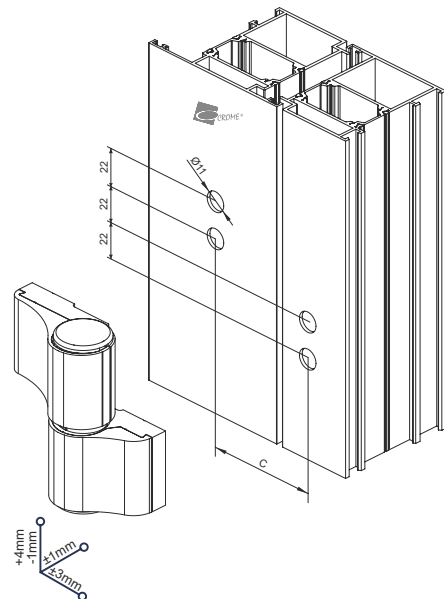
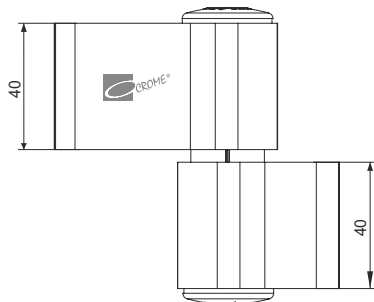
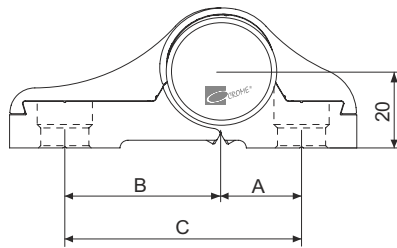
- Compatible with
- Cut out on profile

### Lock Finish



Black

## Hinge Dimensions & Typical Installation



## CASEMENT HINGES

### CR - 401



Black White

### CR - 300



Black White

### CR - 301



Black White

### CR - 311



Black White

# CASEMENT HINGES

**CR - 312**



Black White

**CR - 313**



Black White

**CR - 314**



Black White

**CR - 315**



Black White

**CR - 316**

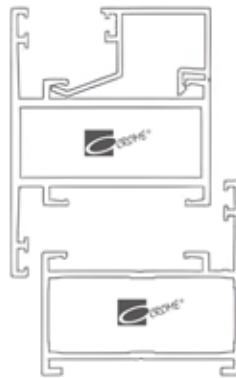
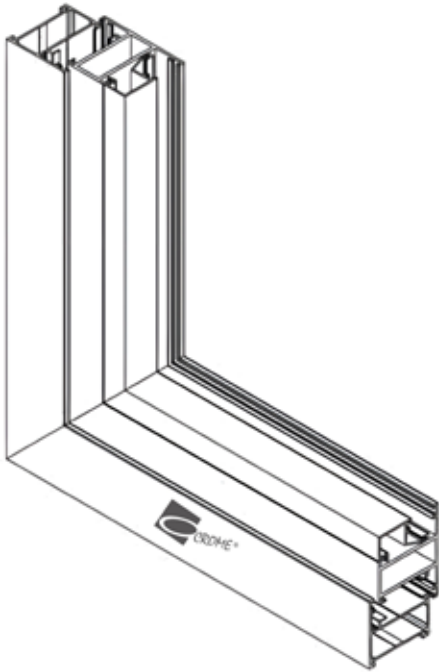


Black White



# DOMAL CASEMENT SYSTEM WINDOW HARDWARE

40mm and Z series



**CL - 102**  
**CORNER CELAT-DIE CAST**



**CL - 150**  
**MULLION CLEAT (L SHAPE)**



**CL - 151**  
**MULLION CLEAT (SLIM)**



**CL - 152**  
**MULLION CLEAT (T-SHAPE)**



**VB - 2**  
**SHOOT BOLT**

## OTHER SUITABLE HARDWARE FOR THIS SERIES

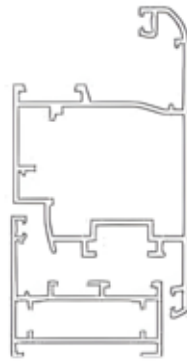
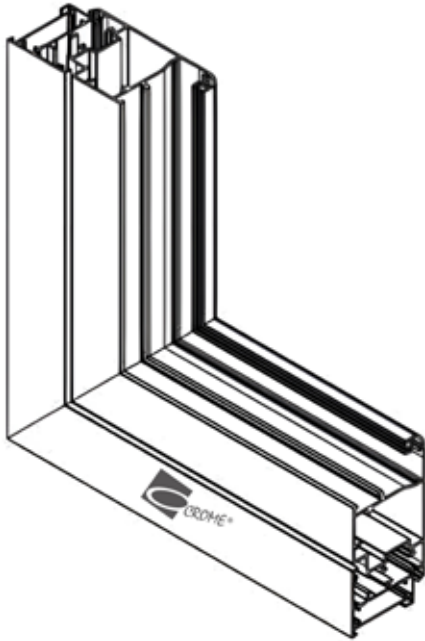


**CASEMENT WEDGE**

**MULTIPOINT LOCKING ACCESSORIES (PAGE 17-20)**  
**CASEMENT HANDLE (PAGE 21-26)**  
**FRICION STAY / ARM (PAGE 27-28)**  
**HINGES (PAGE 29-31)**  
**MORTISE LOCK (PAGE 35-37)**  
**EPDM RUBBER GASKETS & TPE GASKETS**

# DOMAL CASEMENT SYSTEM WINDOW HARDWARE

40mm and Z series



**CL - 102  
CORNER CELAT-DIE CAST**



**CL - 103  
MULLION CLEAT (L SHAPE)**



**CL - 104 CLIT & CL - 105 ADAPTER  
MULLION CLEAT (SLIM)**



**CL - 150  
MULLION CLEAT (L SHAPE)**



**CL - 151  
MULLION CLEAT (SLIM)**

## OTHER SUITABLE HARDWARE FOR THIS SERIES

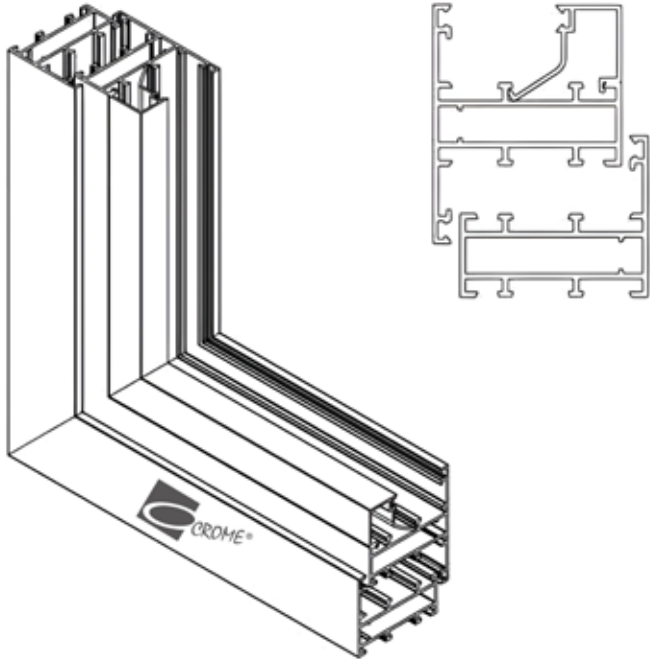


**CL - 152  
MULLION CLEAT (T-SHAPE)**

**MULTIPOINT LOCKING ACCESSORIES (PAGE 17-20)**  
**CASEMENT HANDLE (PAGE 21-26)**  
**FRICTION STAY / ARM (PAGE 27-28)**  
**HINGES (PAGE 29-31)**  
**MORTISE LOCK (PAGE 35-37)**  
**EPDM RUBBER GASKETS & TPE GASKETS**  
**VB-2 SHOOT BOLT & CASEMENT WEDGE**

# DOMAL CASEMENT SYSTEM WINDOW HARDWARE

45mm and 52mm series



**CL - 102**  
**CORNER CELAT-DIE CAST**



**CL - 103**  
**MULLION CLEAT (L SHAPE)**



**CL - 150**  
**MULLION CLEAT (L SHAPE)**



**CL - 151**  
**MULLION CLEAT (SLIM)**



**CL - 152**  
**MULLION CLEAT (T-SHAPE)**

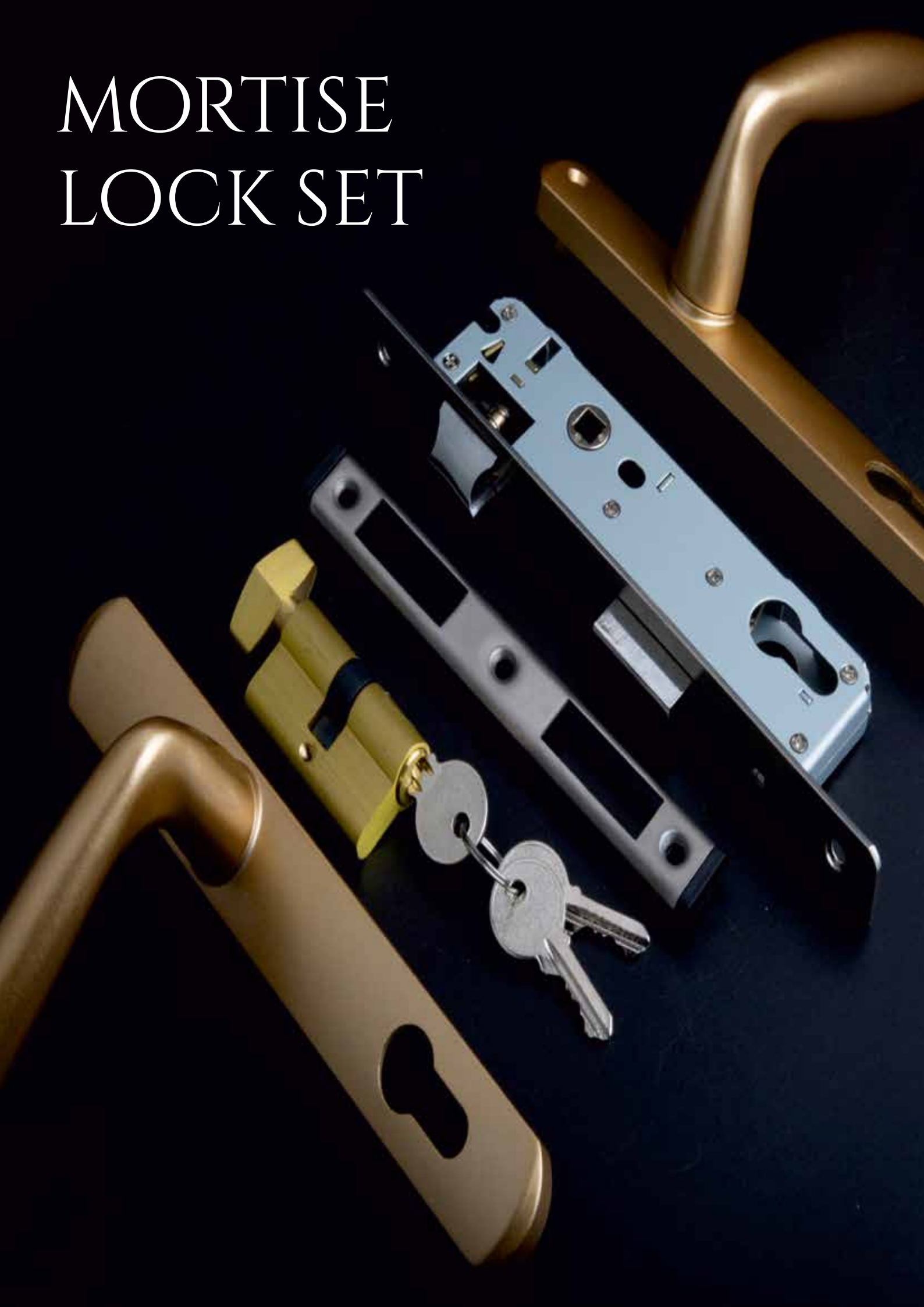
## OTHER SUITABLE HARDWARE FOR THIS SERIES



**CASEMENT WEDGE**

**MULTIPOINT LOCKING ACCESSORIES (PAGE 17-20)**  
**CASEMENT HANDLE (PAGE 21-26)**  
**FRICION STAY / ARM (PAGE 27-28)**  
**HINGES (PAGE 29-31)**  
**MORTISE LOCK (PAGE 35-37)**  
**EPDM RUBBER GASKETS & TPE GASKETS**  
**VB-2 SHOOT BOLT & CASEMENT WEDGE**

# MORTISE LOCK SET



# MORTISE LOCK SET

## VML 2

1. Cylinder - Both Side Key,  
One Side Key & One Side Knob.  
Size : 60 - 80mm

2. Handle Set - Choose from any  
4 Colors

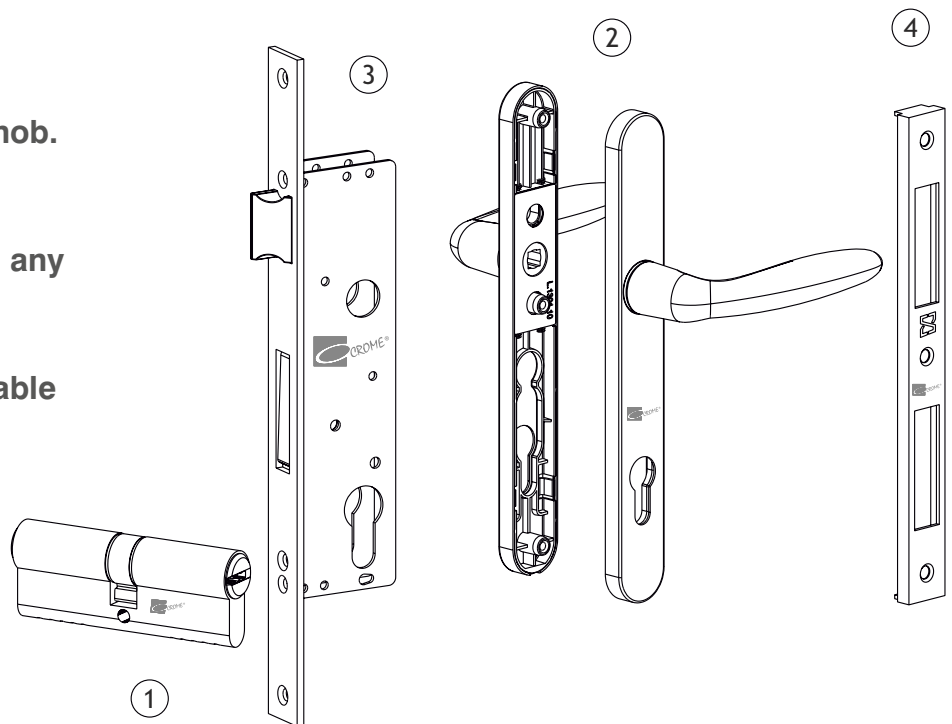
3. Lock Body - 4 Sizes Available  
85x20, 85x25, 85x30, 85x35

4. Strike Plate - 3 Designs

### Handle Finish



Black Brown Grey White



## CRML 1

1. Cylinder - Both Side Key,  
One Side Key & One Side Knob.  
Size : 60 - 80mm

2. Handle Set - Choose from any  
2 Colors

3. Lock Body - 4 Sizes Available  
85x20, 85x25, 85x30, 85x35

4. Strike Plate - 3 Designs

### Handle Finish

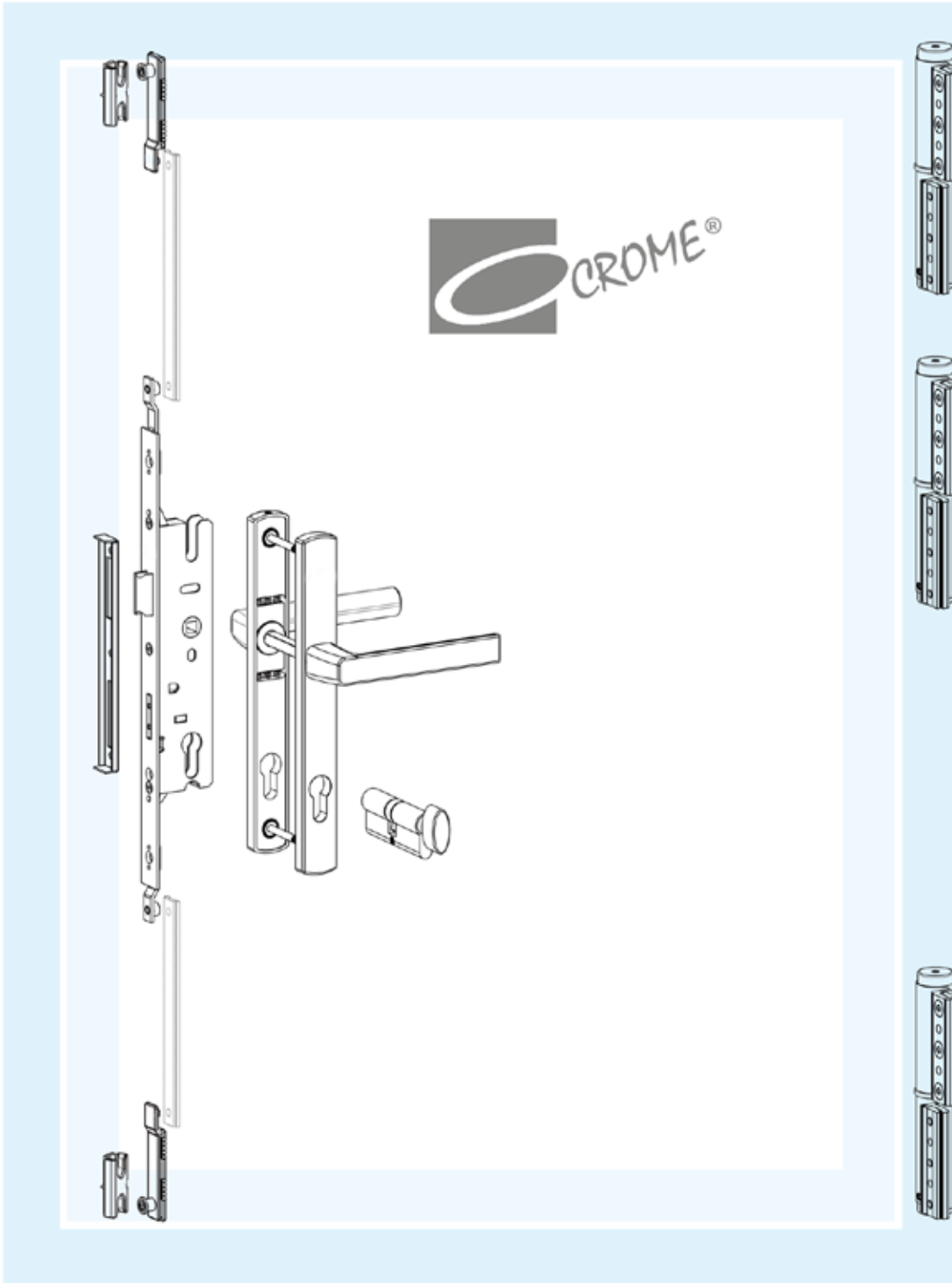


Black White





# CRML 6



**Multipoint Locking Mortise Lock**  
Choose from wide range of Cylinders and Colors

### Lock Finish

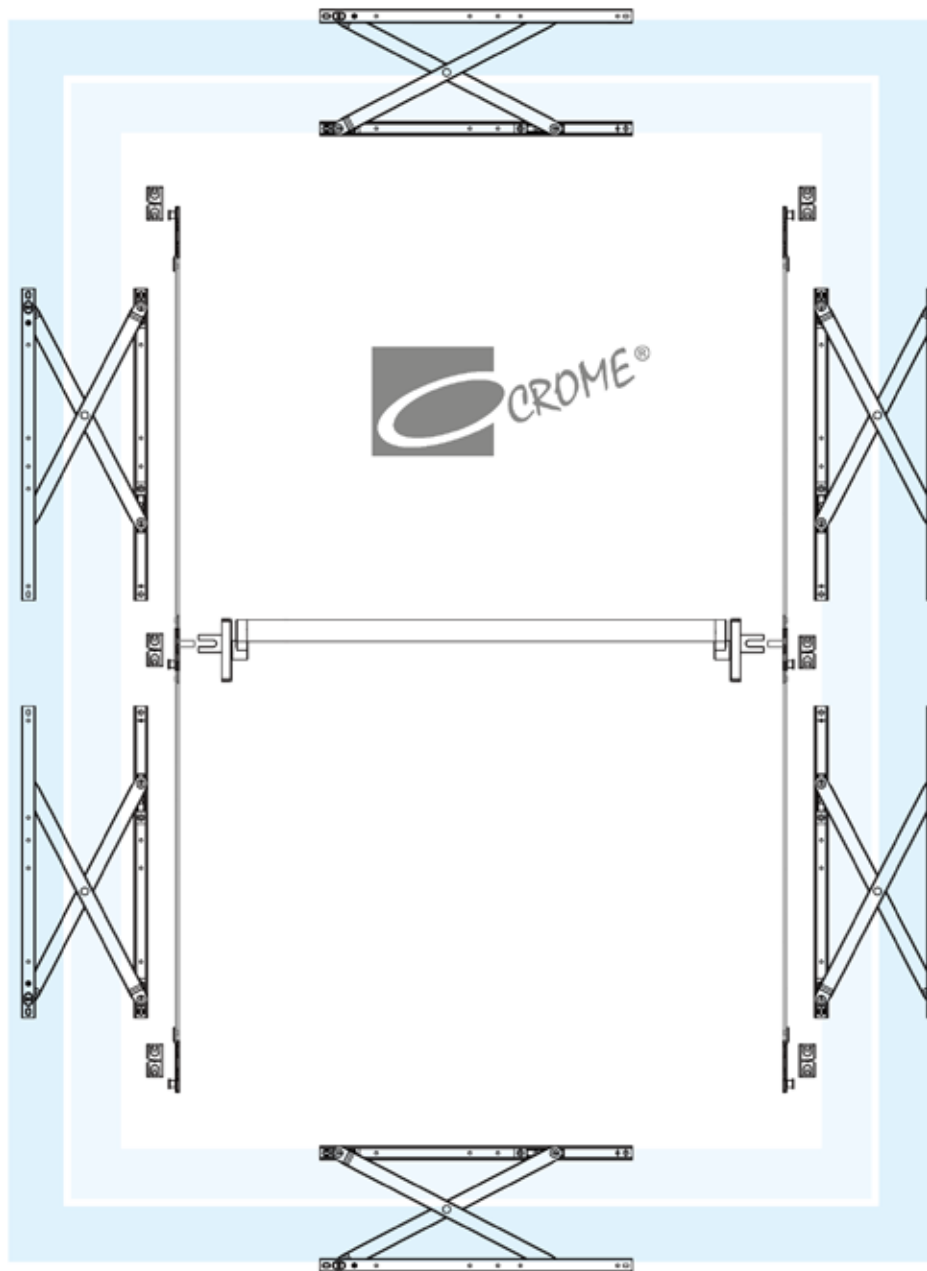


Black Silver White Golden Brn.



## PARALLEL FRICTION STAY

---

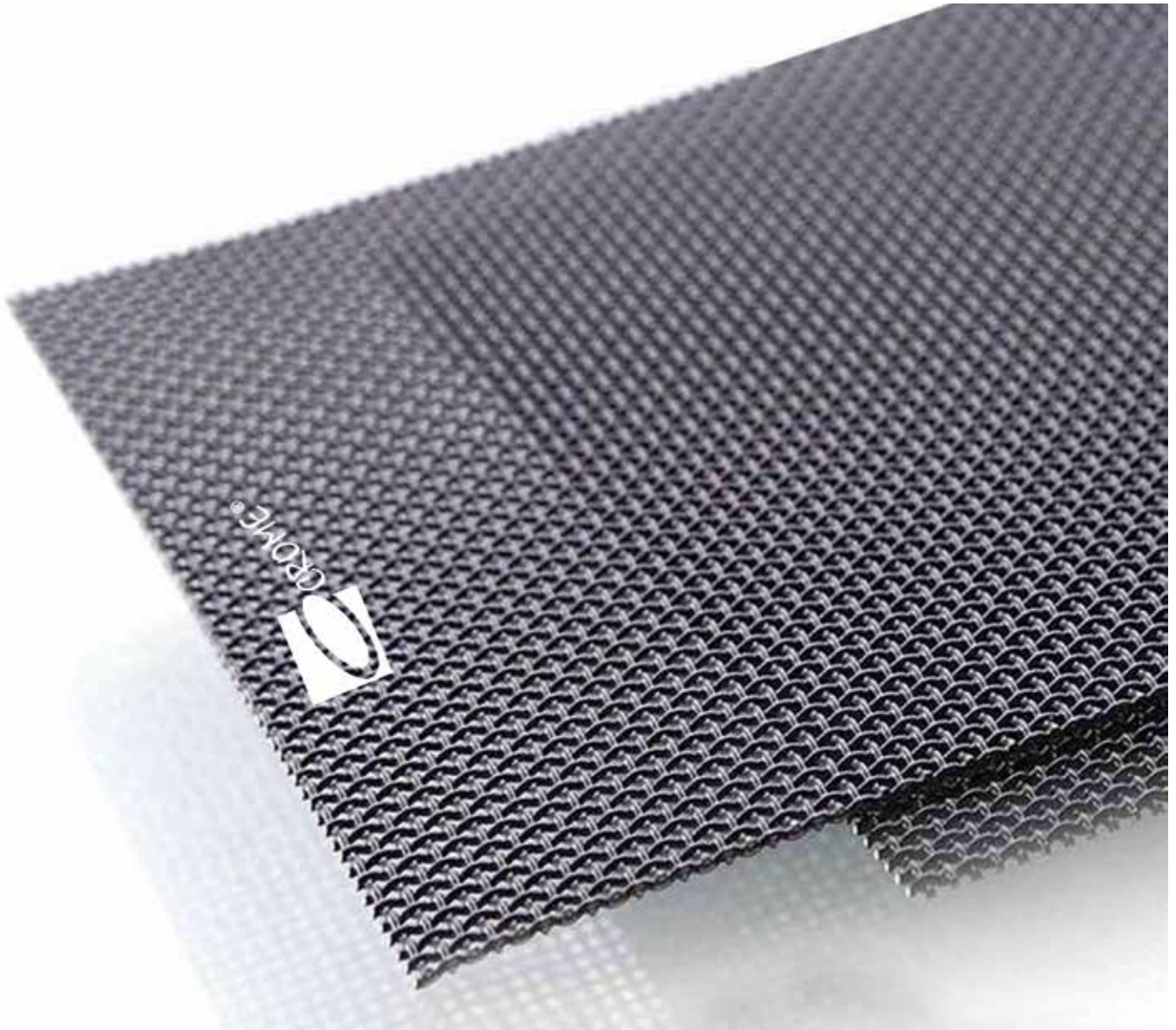


- CROME Parallel Hinges Are Specially Design For Curtain Walled And Structurally Glazed Buildings With High Performance Parallel Opening In Big Size Ventilation Window.
- Hinge Mechanism Is Fully Concealed When The Sash Is Closed, Adjustment Friction Mechanism For Controlling Manually Operated Sashes.
- Parallel Opening Windows Provide Natural Ventilation By Allowing A Balanced Air Flow Around The Entire Opening. Sash Adjustment Features For Use With Heaviest Vents.
- Heavy Duty Parallel Opening For Enhanced Performance With Aluminium & Upvc Large Sections, Closes Inline Which Allows For Greater Choice In Profile Section.
- Manufactured From High Grade Stainless Steel For Maximum Longevity, Even In The Most Corrosive Environments.



## SECURITY MESH BLACK EPOXY

---



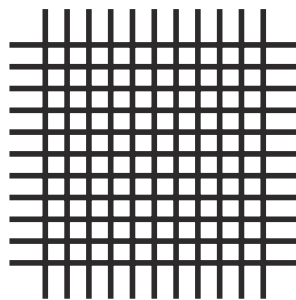
### Security Mesh

- SS 304 Wire
- 11\*11 Mesh Size
- Water Proof

### Sheet Size

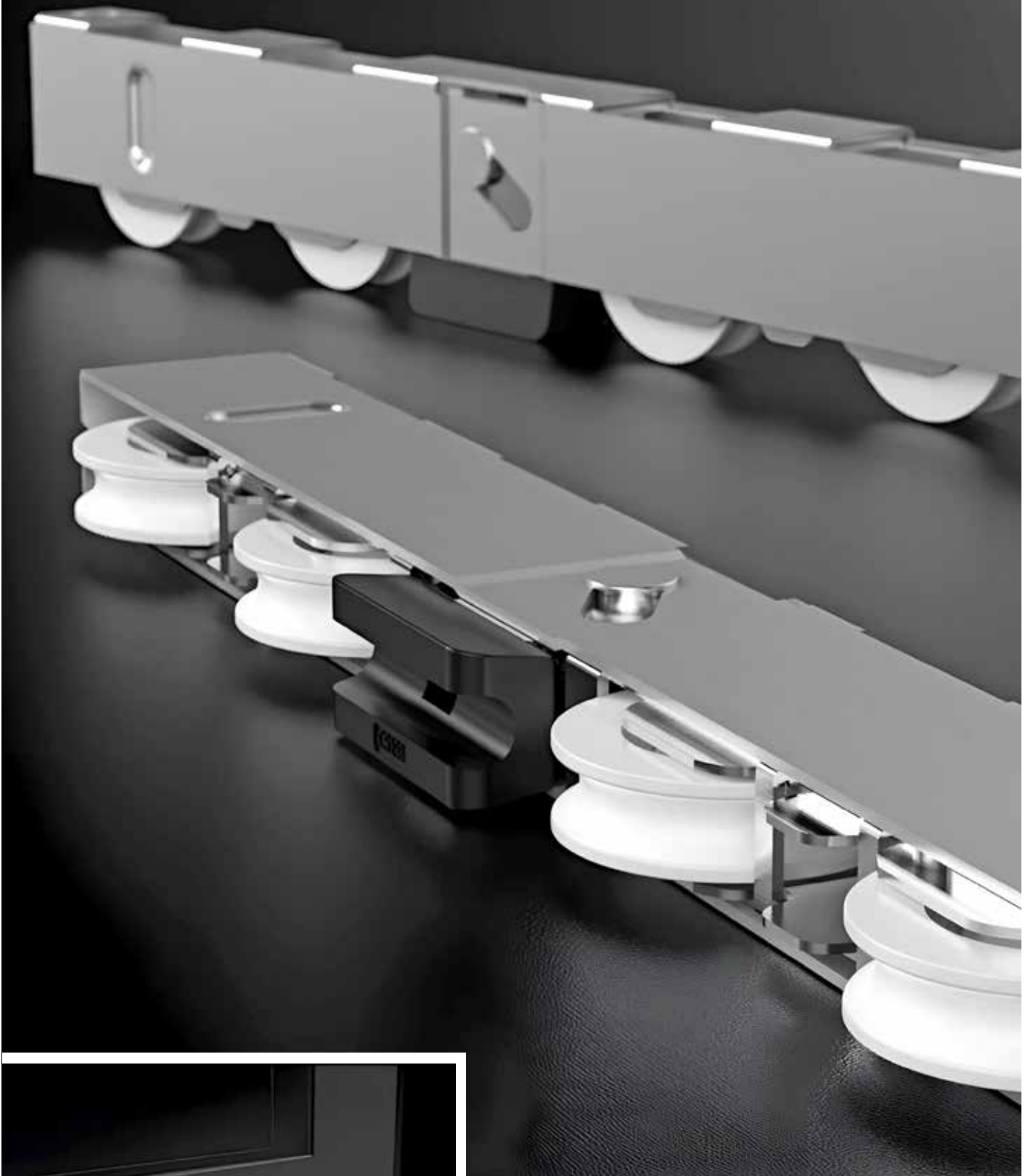
- 5ft \* 10ft

### Wave



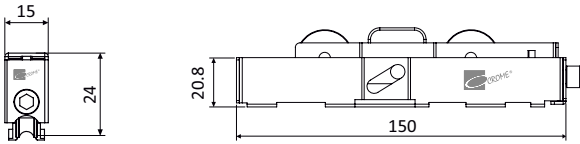
Scan QR Code  
for Video

# SS ROLLERS



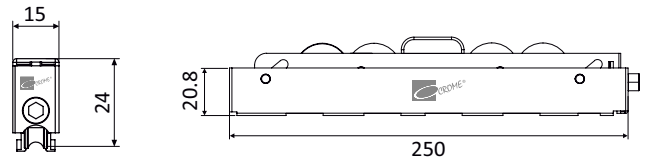


### CRR 11 (U Groove)



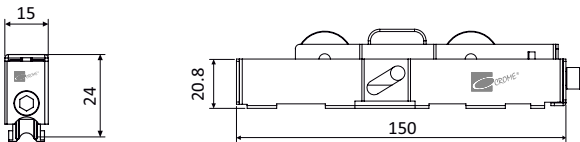
**Dimensions : 15\*24\*150mm**

### CRR 12 (U Groove)



**Dimensions : 15\*24\*250mm**

### CRR 30 (V Groove)

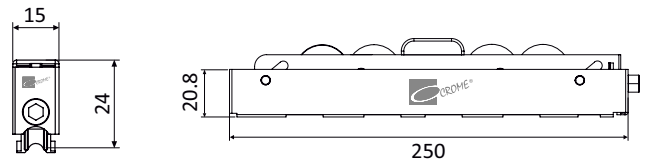


**Dimensions : 15\*24\*150mm**

#### SS Roller 2 Wheel

- Stainless Steel Body | Nylon Wheel
- Smooth Sliding
- 90kg Capacity / set

### CRR 31 (V Groove)



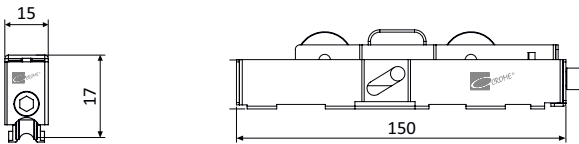
**Dimensions : 15\*24\*250mm**

#### SS Roller 4 Wheel

- Stainless Steel Body | Nylon Wheel
- Smooth Sliding
- 135kg Capacity / set

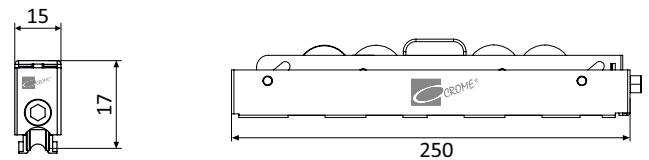
## SS ROLLERS

### CRR 13 (U Groove)



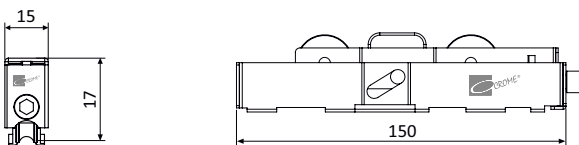
Dimensions : 15\*17\*150mm

### CRR 14 (U Groove)



Dimensions : 15\*17\*250mm

### CRR 32 (V Groove)

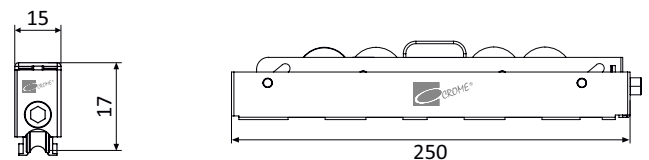


Dimensions : 15\*17\*150mm

#### SS Roller 2 Wheel

- Stainless Steel Body | Nylon Wheel
- Smooth Sliding
- 90kg Capacity / set

### CRR 33 (V Groove)



Dimensions : 15\*17\*250mm

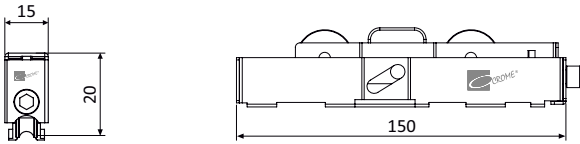
#### SS Roller 4 Wheel

- Stainless Steel Body | Nylon Wheel
- Smooth Sliding
- 135kg Capacity / set



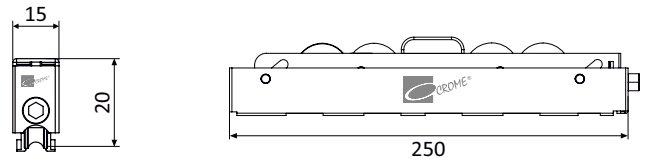
## SS ROLLERS

### CRR 15 (U Groove)



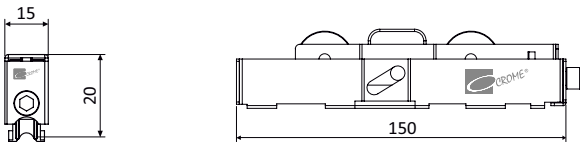
Dimensions : 15\*20\*150mm

### CRR 16 (U Groove)



Dimensions : 15\*20\*250mm

### CRR 34 (V Groove)

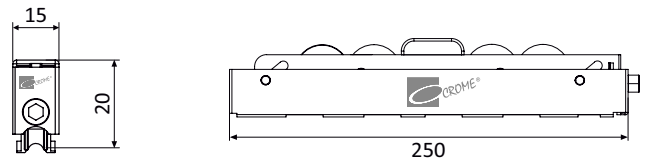


Dimensions : 15\*20\*150mm

#### SS Roller 2 Wheel

- Stainless Steel Body | Nylon Wheel
- Smooth Sliding
- 90kg Capacity / set

### CRR 35 (V Groove)



Dimensions : 15\*20\*250mm

#### SS Roller 4 Wheel

- Stainless Steel Body | Nylon Wheel
- Smooth Sliding
- 135kg Capacity / set



## SS ROLLERS

**CRR 17 (U Groove)**



**Dimensions : 15\*24mm**

**CRR 18 (U Groove)**



**Dimensions : 15\*20mm**

**CRR 19 (SS Roller)**



**Weight Capacity : 200kg**

**CRR 20 (SS Roller)**



**Weight Capacity : 400kg**

**CRR 21 (SS Roller)**



**Dimensions : 15\*20mm**

**CRR 22 (SS Roller)**



**Dimensions : 15\*24mm**

**CRR 23 (SS Roller)**



**Weight Capacity : 80kg**

**CRR 24 (SS Roller)**



**Weight Capacity : 135kg**

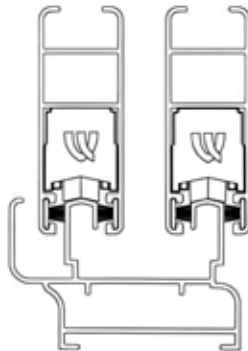
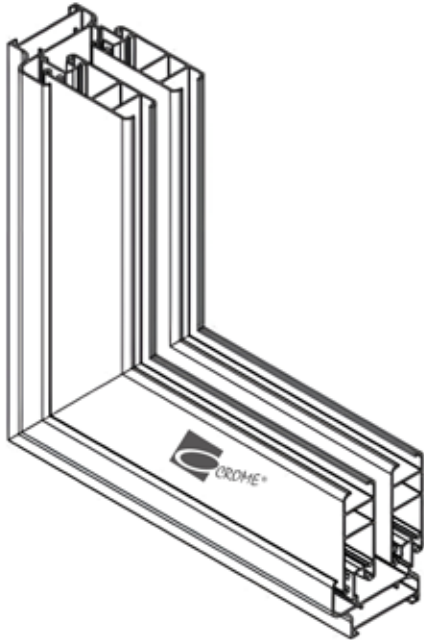
**CRR 25 (SS Roller)**



**Weight Capacity : 300kg**

# DOMAL SLIDING SYSTEM WINDOW HARDWARE

20mm x 54mm



**CRR - 201  
SINGLE ROLLER**



**CRR - 202  
DOUBLE ROLLER**



**CL - 201  
ALUMINIUM CORNER CLEAT**



**CL - 202  
MAGIC CORNER CLEAT**



**SMALL CHEVRON PLASTIC**



**SS WING CONNECTOR SMALL**



**SS WING CONNECTOR BIG**



**INTERLOCK CAP MALE N FEMALE**

## DOMAL SLIDING SYSTEM WINDOW HARDWARE

---



**LOCK GUIDE**



**ANTILIFT HANDLE**



**WATER DRAIN CAP**



**FASTENERS CAPS**



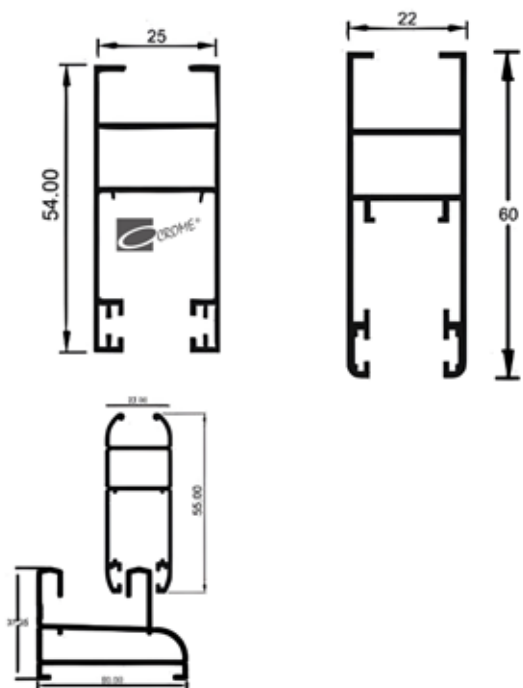
**WOOL PILE**  
6.8X5, 6.8X6

### OTHER SUITABLE HARDWARE FOR THIS SERIES

CONCEALED WINDOW LOCK (PAGE 05-12)  
SLIDING DOOR LOCKS (PAGE 13-16)  
MULTIPOINT LOCKING ACCESSORIES (PAGE 17-20)  
SS BODY HEAVY ROLLERS (PAGE 40-44)  
EPDM RUBBER GASKETS & TPE GASKETS  
SCREWS & FASTENERS SCREWS

# DOMAL SLIDING SYSTEM WINDOW HARDWARE

20mm x 45mm, 22mm x 55mm, 22mm x 60mm, 25mm x 54mm



**CRR - 221  
SINGLE ROLLER**



**CRR - 222  
SINGLE ROLLER 19mm**



**CRR - 223  
DOUBLE ROLLER**



**CL - 2201  
ALUMINIUM CORNER CLEAT**



**CL - 2202  
DIE CAST CORNER CLEAT**



**CL - 2203  
MAGIC CORNER CLEAT**



**SMALL CHEVRON PLASTIC**



**SS WING CONNECTOR SMALL**

## DOMAL SLIDING SYSTEM WINDOW HARDWARE

---



SS WING CONNECTOR BIG



INTERLOCK CAP MALE N FEMALE



LOCK GUIDE



ANTILIFT HANDLE



TOP U GUIDE



WATER DRAIN CAP



FASTENERS CAPS



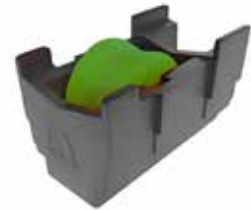
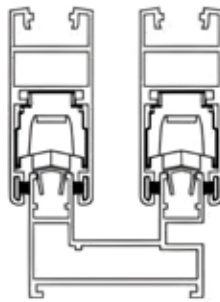
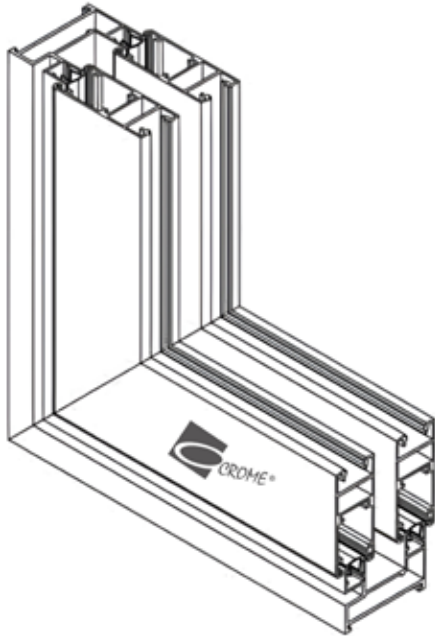
WOOL PILE  
6.8X5, 6.8X6

### OTHER SUITABLE HARDWARE FOR THIS SERIES

CONCEALED WINDOW LOCK (PAGE 05-12)  
SLIDING DOOR LOCKS (PAGE 13-16)  
MULTIPOINT LOCKING ACCESSORIES (PAGE 17-20)  
SS BODY HEAVY ROLLERS (PAGE 40-44)  
EPDM RUBBER GASKETS & TPE GASKETS  
SCREWS & FASTENERS SCREWS

# DOMAL SLIDING SYSTEM WINDOW HARDWARE

25mm x 63mm, EURO Series With Slim Inter Lock



**CRR - 251  
SINGLE ROLLER**



**CRR - 252  
DOUBLE ROLLER**



**CL - 2501  
ALUMINIUM CORNER CLEAT**



**CL - 2502  
SLIM INTERLOCK CORNER CLEAT**



**CL - 2503  
MAGIC CORNER CLEAT**



**SS WING CONNECTOR SMALL**



**SS WING CONNECTOR BIG**



**INTERLOCK CAP MALE N FEMALE**



# DOMAL SLIDING SYSTEM WINDOW HARDWARE



**LOCK GUIDE**



**ANTILIFT HANDLE**



**TOP U GUIDE**



**WATER DRAIN CAP**



**ANTILIFT+LOCK GUIDE**



**DUST PAD**



**VENT GUIDE FOR WEDGE**



**DRAIN BALL VALVE**



**FASTENERS CAPS**

## OTHER SUITABLE HARDWARE FOR THIS SERIES

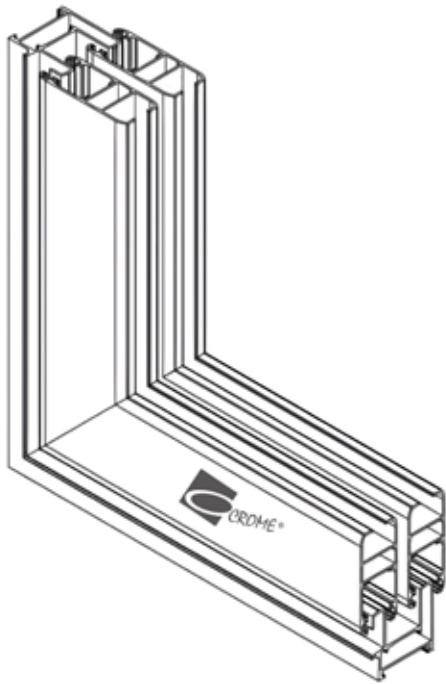


**WOOL PILE  
6.8X5, 6.8X6**

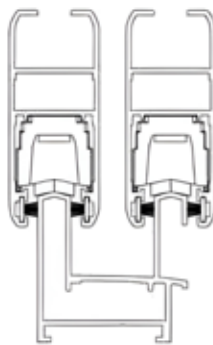
**CONCEALED WINDOW LOCK (PAGE 05-12)**  
**SLIDING DOOR LOCKS (PAGE 13-16)**  
**MULTIPOINT LOCKING ACCESSORIES (PAGE 17-20)**  
**SS BODY HEAVY ROLLERS (PAGE 40-44)**  
**EPDM RUBBER GASKETS & TPE GASKETS**  
**SCREWS & FASTENERS SCREWS**

# DOMAL SLIDING SYSTEM WINDOW HARDWARE

27mm x 60mm, 27mm x 65mm



Scan QR Code  
for Video



**CRR - 271  
SINGLE ROLLER**



**CRR - 272  
SINGLE ROLLER**



**CRR - 273  
DOUBLE ROLLER**



**CRR - 274  
DOUBLE ROLLER HEAVY**



**CRR - 275  
DOUBLE ROLLER(DUAL AXEL SWING)**



**CRR - 276  
DOUBLE ADJUSTABLE ROLLER**



**CL - 2701  
ALUMINIUM CORNER CLEAT**



**CL - 2702  
DIE CASTING CLEAT**

# DOMAL SLIDING SYSTEM WINDOW HARDWARE



**MADE IN ITALY**

**CL - 2703  
DIE CASTING CLEAT IMPORTED**



**CL - 2704  
SS 202 MAGIC CORNER CLEAT**



Scan QR Code  
for Video



**CL - 2705  
SS 304 MAGIC CORNER CLEAT**



**CL - 2706  
SLIM INTERLOCK CORNER CLEAT**



**SS WING CONNECTOR SMALL**



**SS WING CONNECTOR BIG**



**SMALL CHEVRON PLASTIC**



**INTERLOCK CAP MALE N FEMALE**



**INTERLOCK CAP**



**LOCK GUIDE**



**ANTILIFT HANDLE**



**TOP U GUIDE**

## DOMAL SLIDING SYSTEM WINDOW HARDWARE



**WATER DRAIN CAP**



**ANTILIFT+LOCK GUIDE**



**ANTILIFT LOCK + HANDLE**



**VENT GUIDE FOR WEDGE**



**DRAIN BALL VALVE**



**FASTENERS CAPS**



**DUST PAD**



**ALUMINIUM DUST PAD**



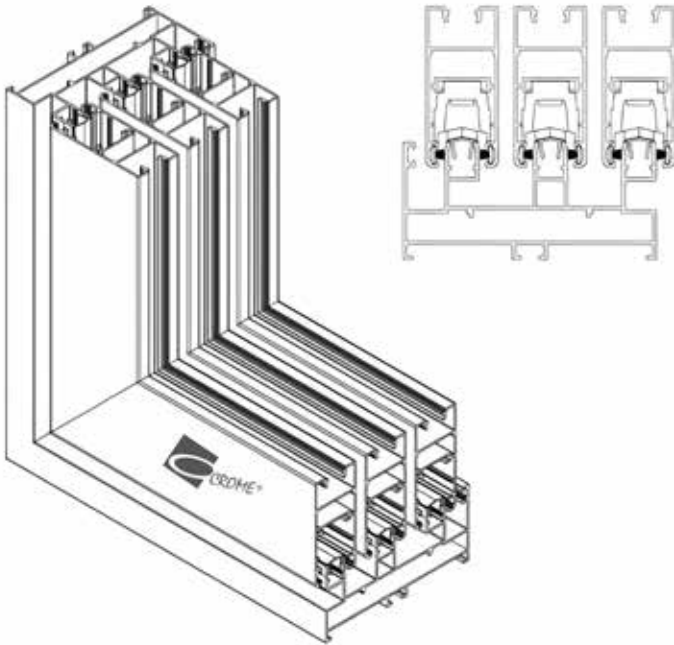
**WOOL PILE**  
6.8X6, 6.8X7, 6.8X9

### OTHER SUITABLE HARDWARE FOR THIS SERIES

**CONCEALED WINDOW LOCK (PAGE 05-12)**  
**SLIDING DOOR LOCKS (PAGE 13-16)**  
**MULTIPOINT LOCKING ACCESSORIES (PAGE 17-20)**  
**SS BODY HEAVY ROLLERS (PAGE 40-44)**  
**EPDM RUBBER GASKETS & TPE GASKETS**  
**SCREWS & FASTENERS SCREWS**

# DOMAL SLIDING SYSTEM WINDOW HARDWARE

29mm x 65mm - Ventana



**CRR - 291  
SINGLE ROLLER**



**CRR - 292  
DOUBLE ROLLER**



**CRR - 293  
DOUBLE ADJUSTABLE ROLLER**



**CL - 2901  
ALUMINIUM CORNER CLEAT**



**CL - 2902  
DIE CAST CORNER CLEAT**



**CL - 2903  
SS 304 MAGIC CORNER CLEAT**



**SS WING CONNECTOR SMALL**



**SS WING CONNECTOR BIG**

# DOMAL SLIDING SYSTEM WINDOW HARDWARE

29mm x 65mm - Ventana



SLIM INTERLOCK CAP



LOCK GUIDE STOPPER



DUST PAD



TOP U GUIDE



DRAIN SLOT COVER



ANTILIFT LOCK GUIDE



VENT GUIDE WEDGE



NON RETURN VALVE



CMA - 5 LOCK KEEP FOR FRAME

## OTHER SUITABLE HARDWARE FOR THIS SERIES



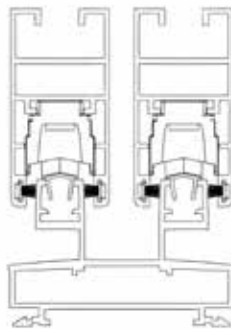
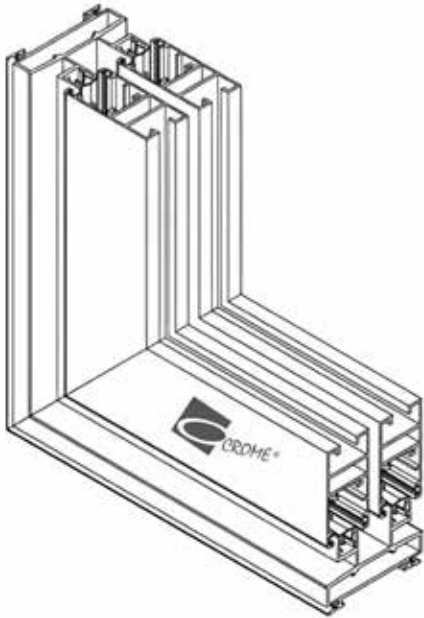
FASTENERS CAPS

**CONCEALED WINDOW LOCK (PAGE 05-12)**  
**SLIDING DOOR LOCKS (PAGE 13-16)**  
**MULTIPOINT LOCKING ACCESSORIES (PAGE 17-20)**  
**SS BODY HEAVY ROLLERS (PAGE 40-44)**  
**WOOL PILE - 6.8x7, 6.8x9**  
**EPDM RUBBER GASKETS & TPE GASKETS**  
**SCREWS & FASTENERS SCREWS**



# DOMAL SLIDING SYSTEM WINDOW HARDWARE

32mm x 65mm, EURO Series with Slim Inter Lock



**CRR - 321  
SINGLE ROLLER**



**CRR - 322  
DOUBLE ROLLER**



**CRR - 323**



**CRR - 324**

Double Roller is available with Stainless Steel and Brass Wheel for Stainless Steel U-Rail



**CL - 2901  
ALUMINIUM CORNER CLEAT**



**CL - 2902  
SS 304 MAGIC CORNER CLEAT**



**CL - 2900  
SLIM INTERLOCK CORNER CLEAT**



**SS WING CONNECTOR  
SMALL & BIG**

# DOMAL SLIDING SYSTEM WINDOW HARDWARE



**LOCK GUIDE STOPPER**



**ANTILIFT LOCK GUIDE**



**DUST PAD**



**VENT GUIDE WEDGE**



**KPA END CAP**



**NON RETURN VALVE**



**SLIM INTERLOCK CAP**



**DRAIN SLOT COVER**



**FASTENERS CAPS**



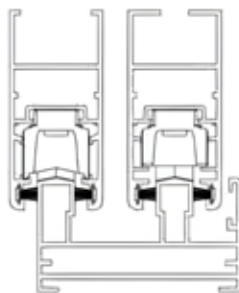
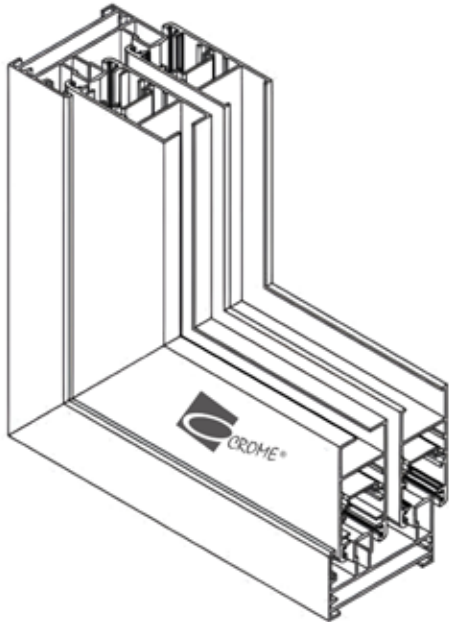
**CMA - 5 LOCK KEEP FOR FRAME**

## OTHER SUITABLE HARDWARE FOR THIS SERIES

- CONCEALED WINDOW LOCK (PAGE 05-12)
- SLIDING DOOR LOCKS (PAGE 13-16)
- MULTIPOINT LOCKING ACCESSORIES (PAGE 17-20)
- SS BODY HEAVY ROLLERS (PAGE 40-44)
- WOOL PILE - 6.8x7, 6.8x9
- EPDM RUBBER GASKETS & TPE GASKETS
- SCREWS & FASTENERS SCREWS

# DOMAL SLIDING SYSTEM WINDOW HARDWARE

35mm x 75mm



**CRR - 351  
SINGLE ROLLER**



**CRR - 352  
DOUBLE ROLLER**



**CRR - 353  
DOUBLE ADJUSTABLE ROLLER**



**CL - 3501  
CORNER CLEAT**



**CL - 3502  
CORNER CLEAT JINDAL**



**CL - 3503  
CORNER CLEAT DIE CAST**



**CL - 3504  
SS 304 MAGIC CORNER CLEAT**



**CL - 3505  
SLIM INTERLOCK CORNER CLEAT**

## DOMAL SLIDING SYSTEM WINDOW HARDWARE



**INTERLOCK CAP**



**SLIM INTERLOCK CAP**



**DUST PAD**



**LOCK GUIDE**



**ANTI LIFT HANDLE**



**TOP U GUIDE**



**LOCK GUIDE STOPPER**



**SS WING CONNECTOR  
SMALL & BIG**



**DRAIN SLOT COVER**



**NON RETURN VALVE**



**FASTENERS CAPS**



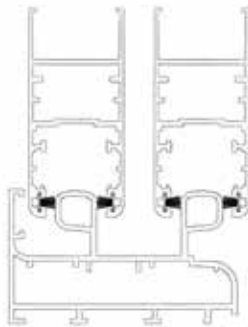
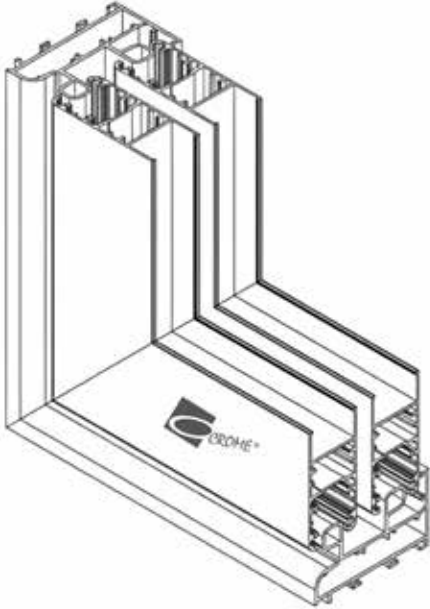
**VENT GUIDE WEDGE**

### OTHER SUITABLE HARDWARE FOR THIS SERIES

**CONCEALED WINDOW LOCK (PAGE 05-12)**  
**SLIDING DOOR LOCKS (PAGE 13-16)**  
**MULTIPOINT LOCKING ACCESSORIES (PAGE 17-20)**  
**SS BODY HEAVY ROLLERS (PAGE 40-44)**  
**WOOL PILE - 6.8x7, 6.8x9**  
**EPDM RUBBER GASKETS & TPE GASKETS**  
**SCREWS & FASTENERS SCREWS**

# DOMAL SLIDING SYSTEM WINDOW HARDWARE

37mm x 82mm



**CRR - 371  
DOUBLE ROLLER**



**CRR - 372  
DOUBLE ADJUSTABLE ROLLER**



**CL - 3701  
CORNER CLEAT**



**CL - 3702  
SS 304 MAGIC CORNER CLEAT**



**CL - 3703  
CORNER CLEAT DIE CAST**



**LOCK GUIDE STOPPER**



**TOP U GUIDE**



**DUST PAD**

## DOMAL SLIDING SYSTEM WINDOW HARDWARE

---



INTER LOCK CAP



SS WING CONNECTOR  
SMALL & BIG



DRAIN SLOT COVER



NON RETURN VALVE



FASTENERS CAPS



VENT GUIDE WEDGE

### OTHER SUITABLE HARDWARE FOR THIS SERIES

CONCEALED WINDOW LOCK (PAGE 05-12)  
SLIDING DOOR LOCKS (PAGE 13-16)  
MULTIPOINT LOCKING ACCESSORIES (PAGE 17-20)  
SS BODY HEAVY ROLLERS (PAGE 40-44)  
WOOL PILE - 6.8x7, 6.8x9  
EPDM RUBBER GASKETS & TPE GASKETS  
SCREWS & FASTENERS SCREWS



# DOMAL SYSTEM ACCESSORIES

## FIBRE MESH



## ALUMINIUM MESH LIGHT



18X16 MESH  
FINISH : SS, ALU. & BLACK PC

## ALUMINIUM MESH HEAVY



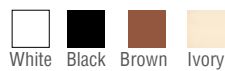
14x14 Mesh  
Finish : SS, Alu. & Black PC

## SS MESH



SS201 Grade Light Mesh | SS202 Grade Medium Mesh  
SS304 Grade Light Mesh | SS304 Grade Black PC Mesh  
SS304 Grade Medium Mesh | SS304 Grade Heavy Mesh  
Security Mesh Black Epoxy

## ADJUSTABLE LOUVERS



Sizes From 3 Blades To 10 Blades, Any Other Sizes Can Be Procured Against Order



## FIXED LOUVERS



## REGULAR PVC SCREWS CSK



ALL SIZES AVAILABLE

## SELF DRILLING SCREWS CSK



ALL SIZES AVAILABLE

# DOMAL SYSTEM ACCESSORIES

## FASTENERS SCREWS



ALL SIZES AVAILABLE

## EPDM & TPE GASKET/RUBBER



4mm 5.5mm 7.2mm

MESH EPDM RUBBER 3 TYPES  
ALL OTHER EPDM BLACK COLOR  
GASKETS AVAILABLE  
TPE GASKETS ALL TYPE  
AVAILABLE  
COLOR : GREY / BLACK

## MESH ROLLER / MESH FIXING TOOLS



A

B

C

## SILICON



ACRYLIC SILICONE

## SILICONE GUN



SILICONE GUN

## FLAT PACKERS



SIZE : THICKNESS 1.5, 3, 5mm  
WIDTH : 24mm | LENGTH : 62mm

## GLASS PACKERS



SIZE : THICKNESS 3, 5mm  
WIDTH : 11, 16mm  
LENGTH : 60, 70mm

## U PACKERS (L=55MM)



SIZE : THICKNESS 1, 1.5, 3, 5mm

## U PACKERS (L=77MM)



SIZE : THICKNESS 1, 3, 5mm

## U PACKERS (L=90MM)



SIZE : THICKNESS 1, 3, 5mm

## CAVITY BLOCK



## CONCEALED TOWER BOLT



# DOMAL SYSTEM ACCESSORIES

**VB-2 SHOOT BOLT**



White
  Black
  Brown

**MS SHOOT BOLT**



**CONCEALED HANDLE**



White
  Black
  Brown

**CUP HANDLE**



White
  Black
  Brown

**C BEND HANDLE**



White
  Black
  Brown

**HINGES**



**HAMMER**



**LOCKING LATCH**



**GLASS CATCHER**



**BITS**



**CURTIN WALL ARM STAY**



**SS U RAIL**





**Head Office**  
**Vardhaman Extrusion**  
**#33/2, A.M.Road. Kalasipalayam, Bangalore - 560002**  
**Opposite Bangalore one office and Near Popular automobiles.**  
**+91 9663372778 | +91 08041571414**

**Mumbai Branch**  
**Room No.13, 1st Floor, Plot No. 23A, Chanda Ramji Building,**  
**Keshavji Naik Road, Fountain, Bhat Bazaar, Mumbai - 400009**



SCAN TO DOWNLOAD  
UPVC HW. CATALOGUE



SCAN TO DOWNLOAD  
CROME GLASS CATALOGUE



SCAN FOR OUR OFFICIAL  
YOUTUBE PAGE