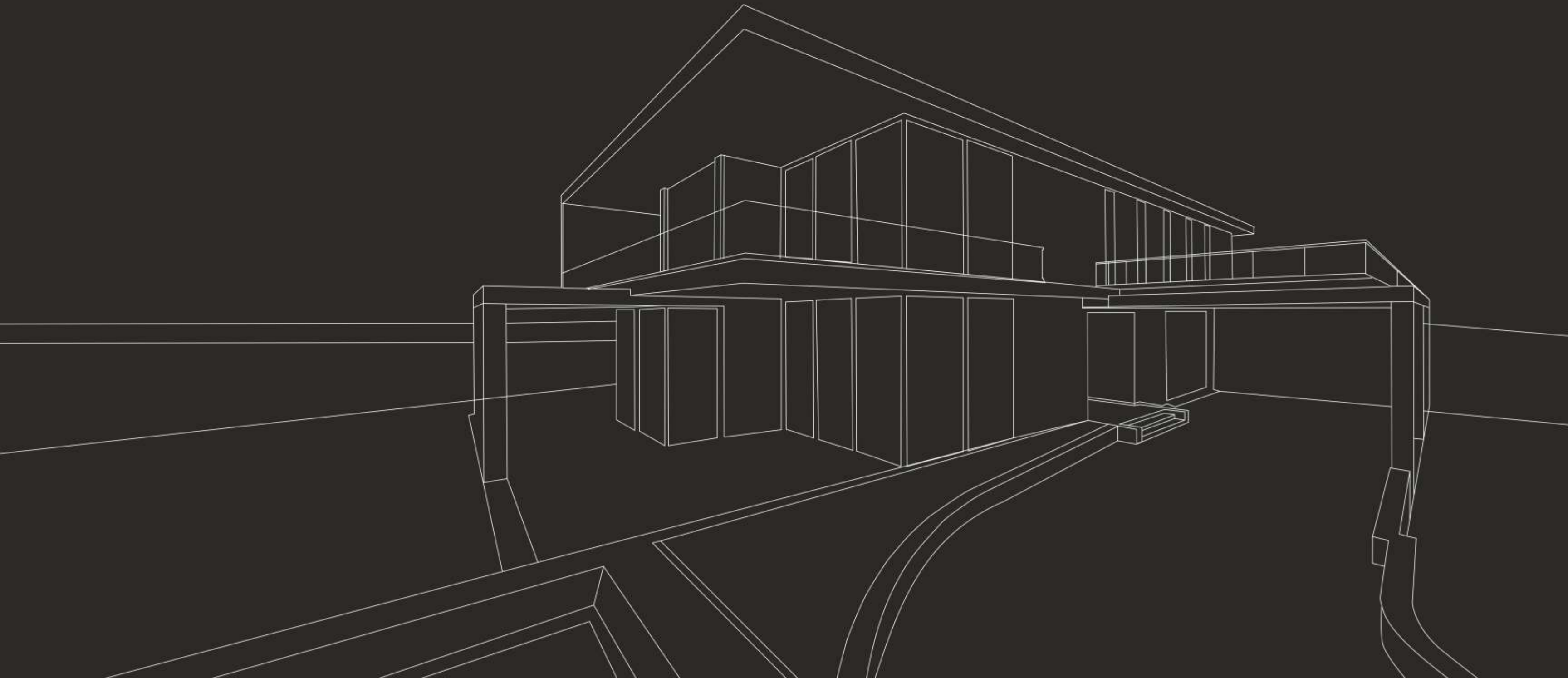


**TH<sup>OR</sup>RMALINE<sup>®</sup>**

Eco Intelligent Solutions<sup>®</sup>



## ClearView<sup>®</sup> Minimal Sliding<sup>®</sup> System

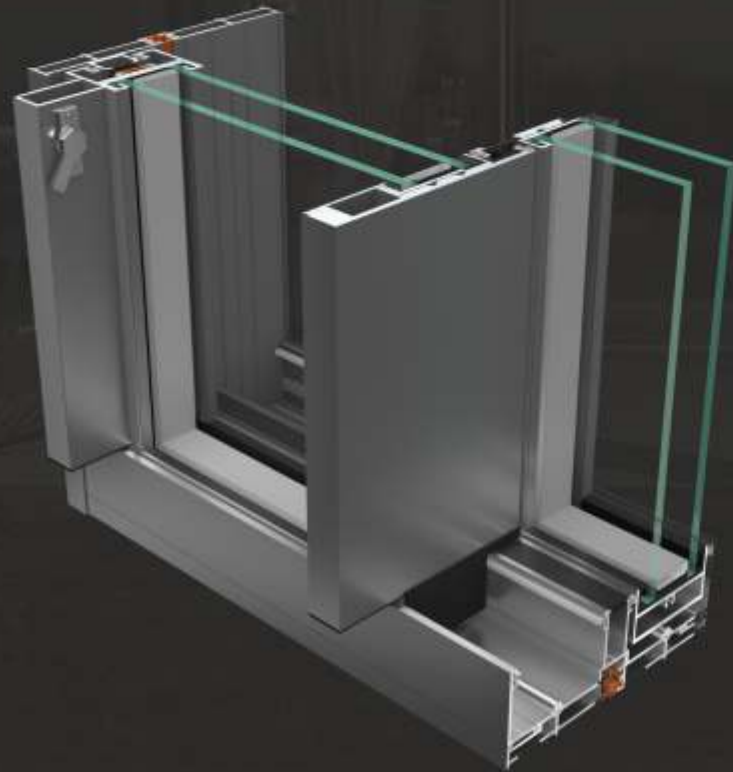
### Simplicity in it's Purest Form.

Get the best panoramic view with ClearView<sup>®</sup> system.

The width of the room takes a whole new dimension with the interiors merging with the outdoors.

With the ability to create large glazed areas, allowing maximum brightness and transparency to your living, ClearView<sup>®</sup> system is the perfect solution for maximizing space and minimizing the barriers between the inside and the outdoors.

With ClearView<sup>®</sup>, you can even integrate Venetian blinds in the glass panels avoiding hassles of installing large curtain which is difficult to maintain and operate.



## FEATURES

- Vertical track along with handle section is 80 mm (face width).
- Interlock face width is only 20 mm.
- Top & bottom track 53 mm (face width).
- Maximum shutter size = Maximum glass panel available in the market.
- Windload upto 3.6 kPa.
- Maximum load per shutter upto 1000 Kgs.
- Provision for glass panels from 8 mm to 50 mm.
- Multi-point locking.
- Reverse interlock available (center opening with multi-point locking).
- Minimal effort & smooth operation for large shutters.
- Option of floating 90° corner shutters available.
- Any number of tracks possible thanks to thermal-break design.
- Energy saving & excellent noise insulation.
- Made for indian conditions.
- Shutter top and bottom is hidden inside the track. Hence, the only true minimal system available in the Indian market.

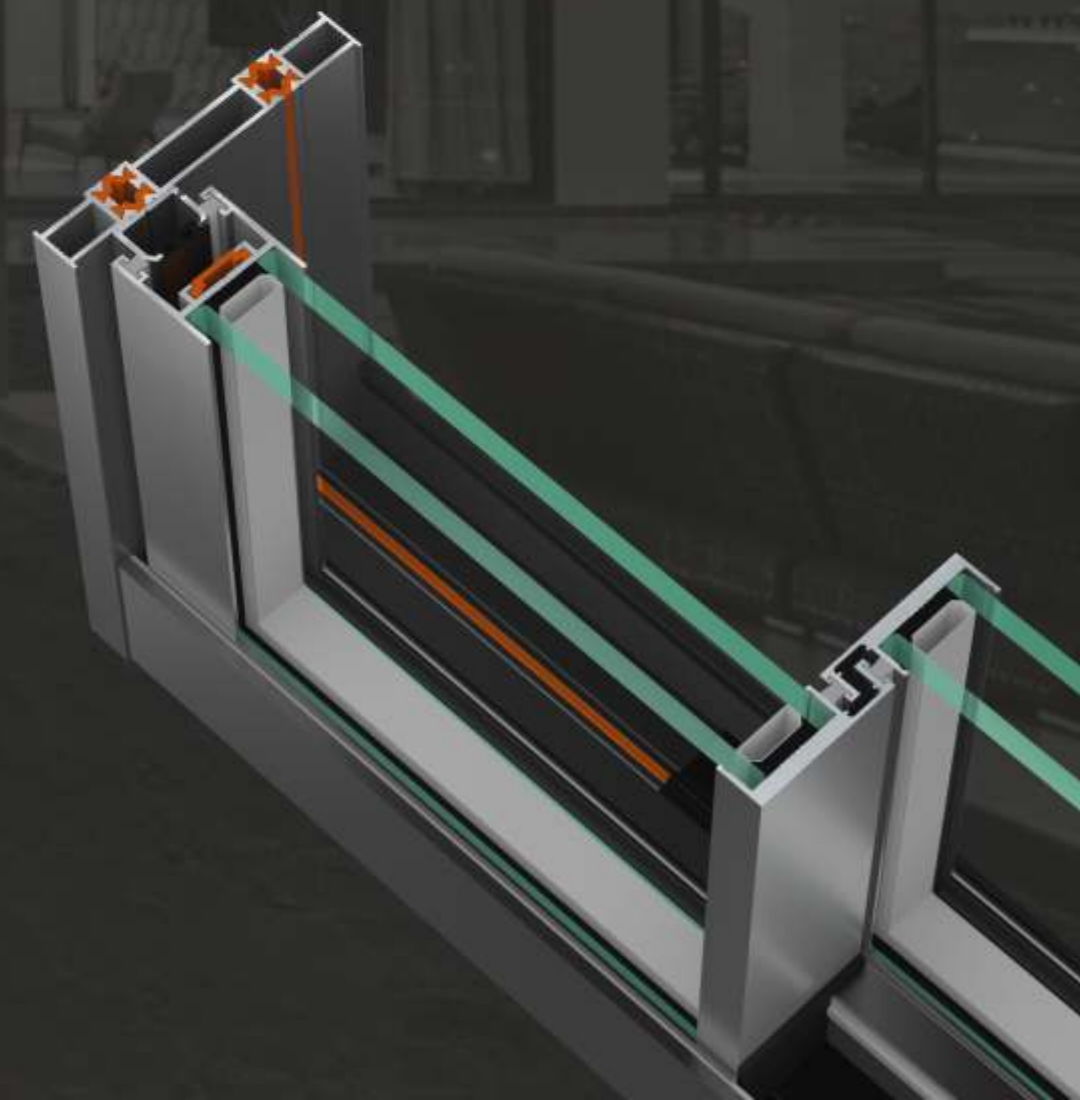
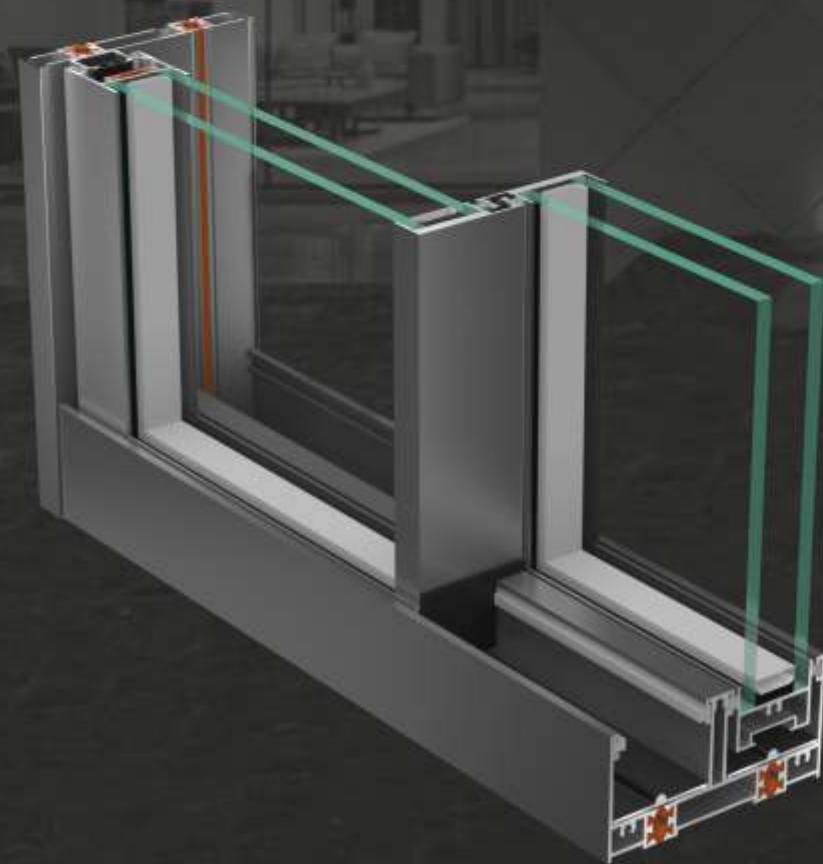




## ClearView® LT Minimal Sliding® System

### Bring The Outdoors In.

ClearView® LT minimal sliding® system is the perfect solution for maximizing space and minimizing the barriers between the inside and the outdoors.



## FEATURES

- Vertical track along with handle section is 55 mm (face width).
- Interlock face width is only 15 mm.
- Top and bottom track 50 mm (face width).
- Maximum height supported by this system is 12 ft.
- Windload upto 2.5 kPa.
- Maximum load per shutter upto 320 Kgs (tested rollers imported from Europe).
- Provision for glass panels from 8 mm to 32 mm.
- Multi-point locking system.
- Minimal effort & smooth operation for large shutters.
- Option of floating 90° corner shutters is available.
- Any number of tracks possible thanks to thermal-break design.
- Energy saving, excellent noise insulation & economical.
- Made for Indian conditions.
- Shutter top and bottom is hidden inside the track. Hence, the only true minimal system available in the Indian market.



## Innova Weathertight Sliding System

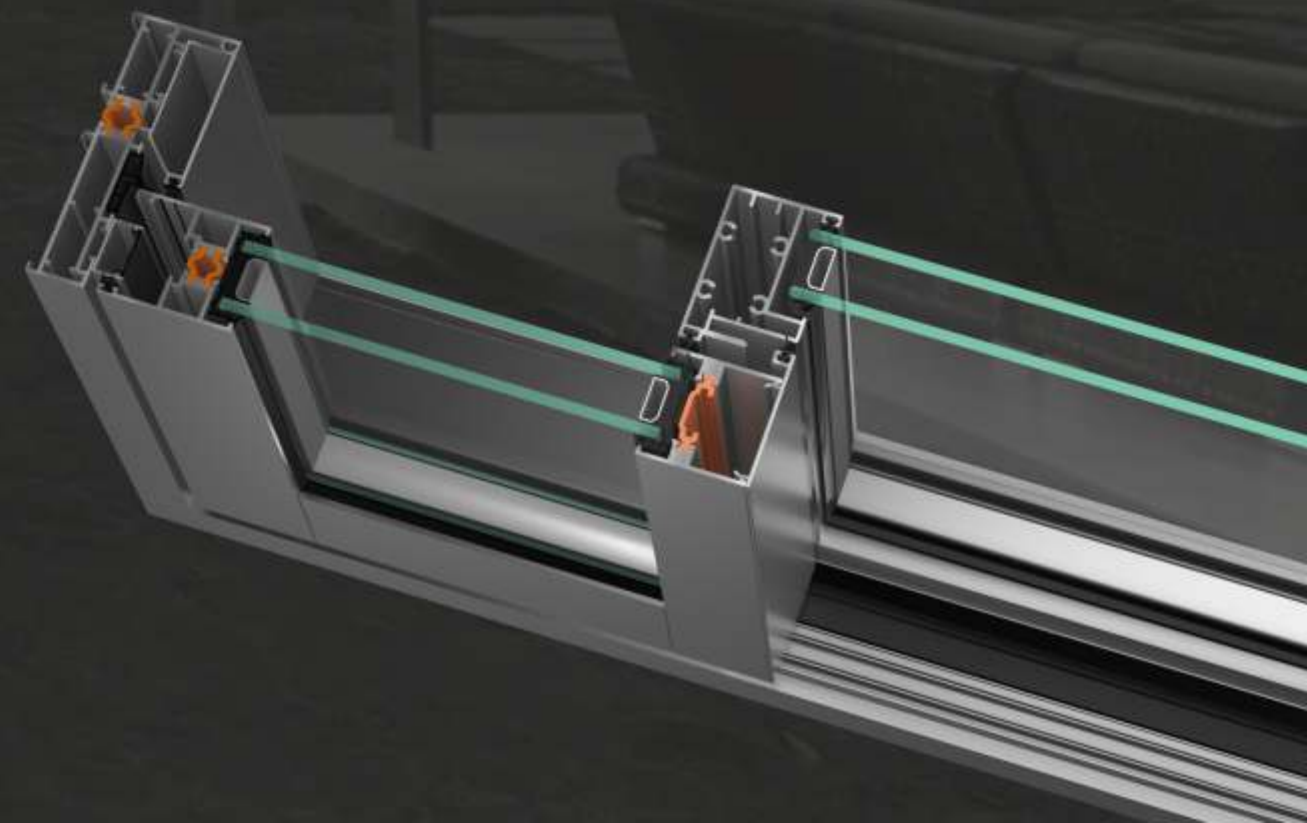
### Superior Sealing – Where Innovation Meets Comfort.

Thermaline<sup>®</sup> newest innovation, the Innova sliding system.

Thermaline<sup>®</sup> brings you its newest cutting-edge technology which brings properties of casement window like weather tightness and sound insulation to a sliding window.

## FEATURES

- Exceptional Sound Insulation: Reduces external noise by up to 40 dB, creating a quieter indoor environment.
- Concealed Hardware: Sleek, hidden hardware ensures a clean, minimalist look (compatible with European hardware).
- Enhanced Glazing Capacity: Supports glazing up to 30 mm thick for optimal thermal and acoustic performance.
- Ergonomic Design: User-friendly handle and sleek aesthetic for easy operation and style.
- Advanced Weather Tightness: Multiple compression points provide strong resistance to air infiltration & water ingress, ensuring weather tightness.
- Thermally Broken System: Enhanced energy efficiency with advanced insulation.
- Generous Sizing: Accommodates large panels up to 4 m<sup>2</sup>, perfect for expansive views.
- Automation Ready: Available with automation options for modern convenience and effortless operation.





## Spazio

### Swing And Slide System



## FEATURES

- Each individual panel operates independently of the others giving complete control to the user unlike the traditional sliding folding doors where each panel is tied using hinges.
- Maximum versatility. Individually moving panels allow you to position each panel to manage both air and traffic flow.
- Optimum reliability as there is no stress between the panels.
- Tongue and groove interlocking system provides superior security and excellent weather rating.
- Space saving – The panels never encroach into the living space while opening and closing cycle.
- High thermal efficiency – U value as low as 1.6 W/m<sup>2</sup>K achievable.
- Master swing door on every system featuring concealed multi-point locking system. This door serves as the primary access in and out while rest of the panels in the secured position.
- Clean and elegant design featuring hidden hardware and components.
- Bottom track supported.

Doors that do what sliding folding can't.

The most innovative and versatile door system alternative to traditional sliding folding door system in the market.



## Twin Slide® Bi Folding Sliding System



## FEATURES

- 100% opening.
- There is no limit to the quantity of twin sashes.
- Flexibility & space saving – A practical partition between living spaces and the outside without the need of railings.
- Ventilation – The system allows you to position the twin fold in a safe vented position, as much or as little ventilation as you choose.
- Multi point locking system.
- Clean and elegant design featuring hidden hardware and components.

The most innovative sliding system in the market.

The Twin Slide® system is completely unique, versatile and visually appealing. With bottom fixed and top facilitating twin slide, more interior space can be put to use.



## ThermaSteel

### Thermally Broken Steel Window System



## FEATURES

- Extremely narrow frames and large opening sash.
- Frames adopt welded structure.
- Choose from four luxurious metals – Steel, Cor-ten, Stainless steel or Brass.
- Opening outside.
- Minimum maintenance & no corrosion.
- The strength and durability that only steel can deliver.

Best of the past, for the present, to the future.

Thermally broken custom steel windows and doors.

Choose from four luxurious metals & countless design options for the freedom to create timeless elegant style that enhances the appearance of your home.



## FEATURES

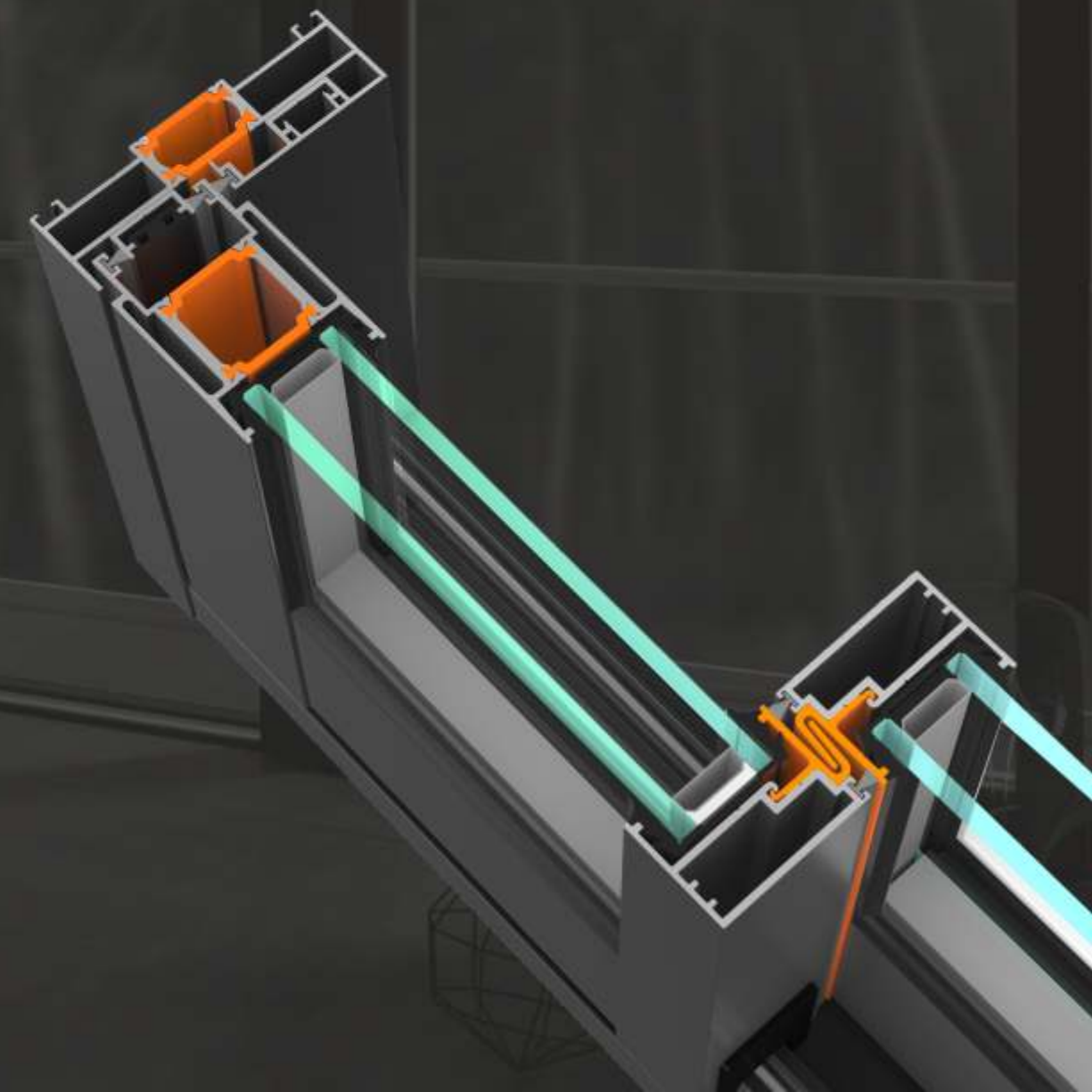
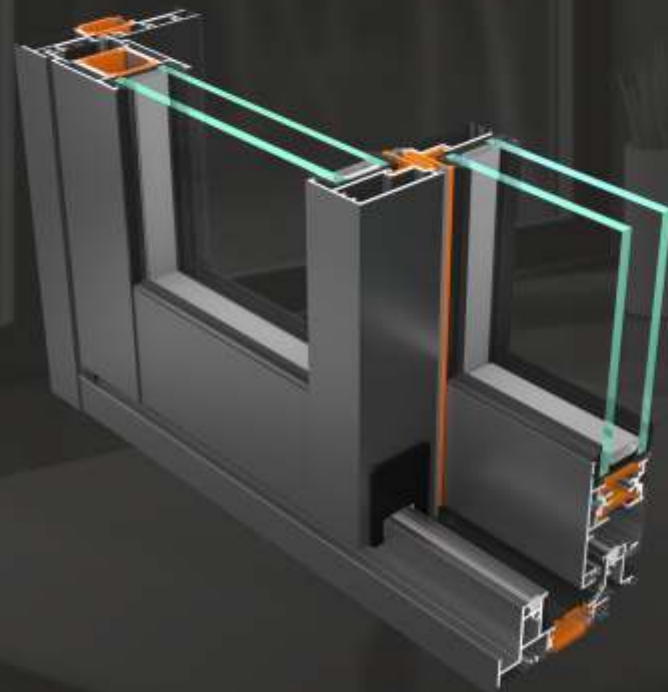
- High thermal efficiency – U value as low as 1.6 W/m<sup>2</sup>K achievable.
- Hidden drainage.
- Sash weight upto 400 kgs.
- Max sash width 3000 mm, max sash height 3000 mm.
- All joints are 90° & overlapping for increased strength and to avoid light infiltration.
- Multi-point locking arrangement with an anti-false locking mechanism.
- Easy fabrication with minimal tools.
- Two or three track options possible with optional lift and slide.

## Magna

### High Performing Aluminium Sliding System

Create brighter rooms with clear lines and smooth profile design.

Production-optimised construction of heavy sash, slim elevation width and greater transparency.



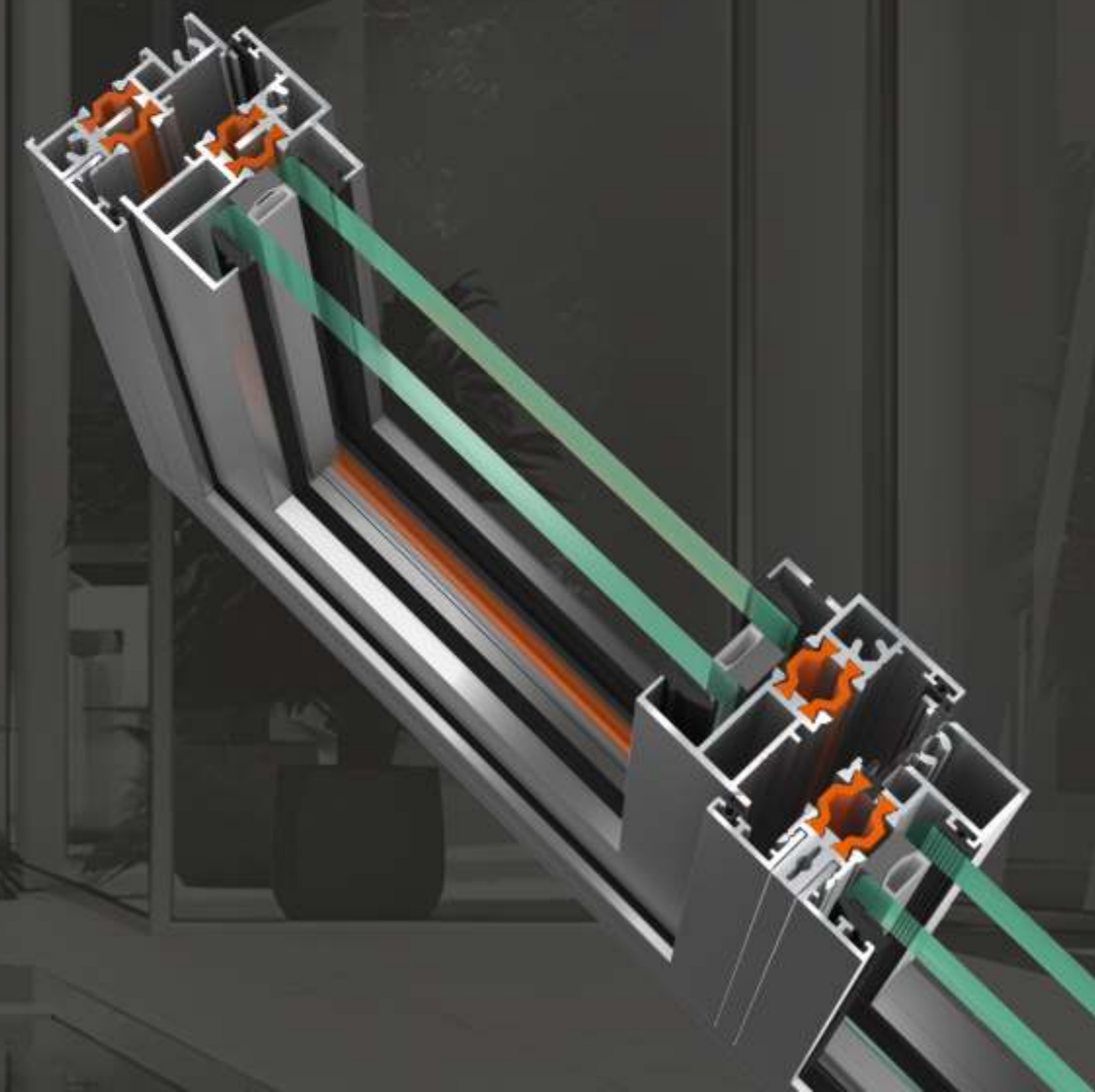
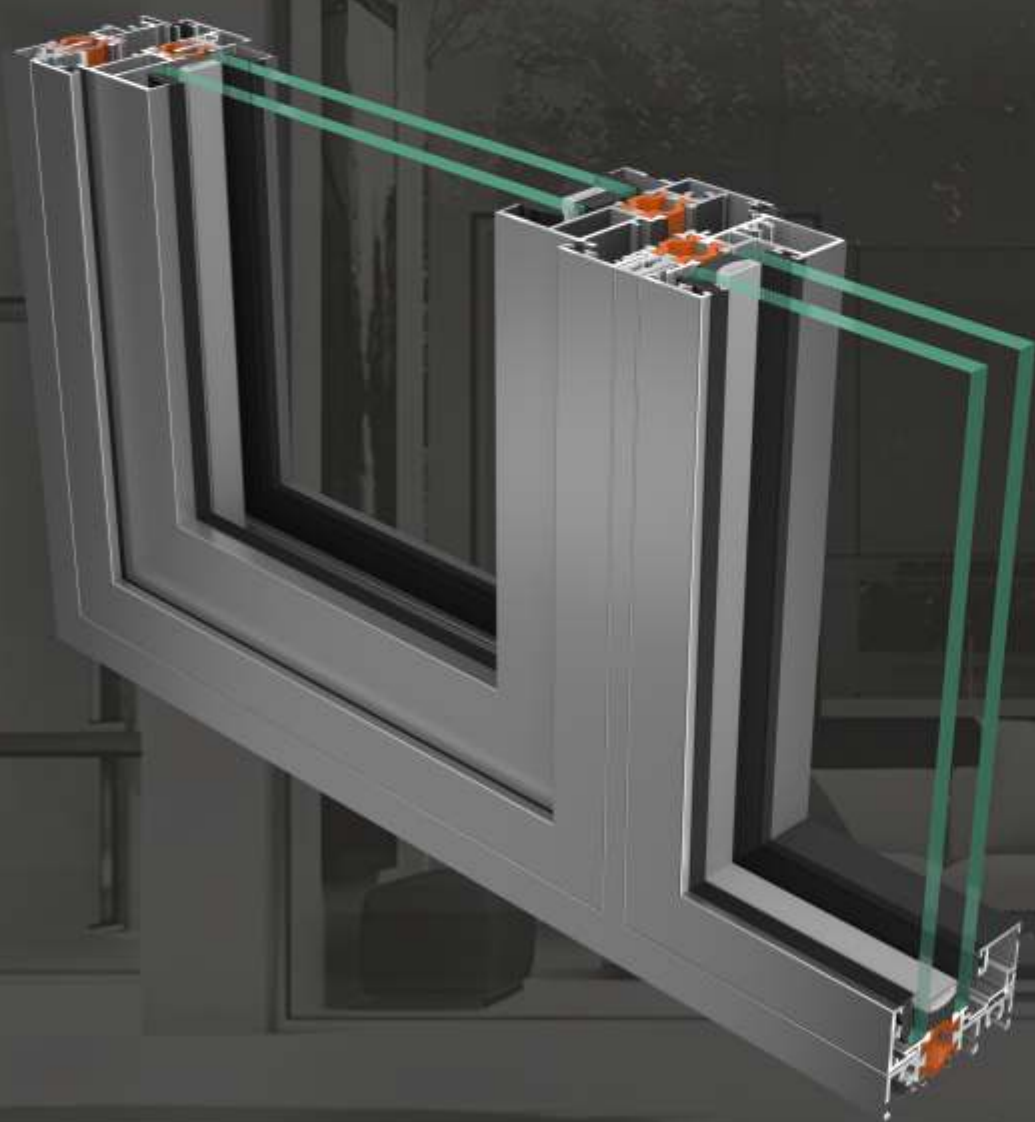


Optima

Minimal Casement® system

## FEATURES

- Shutter opening outside.
- Minimal profiles with face width.
  - 58 mm – outer frame + sash
  - 71 mm – sash + fixed
  - 96 mm – sash + mullion + sash
  - 52 mm – depth
- Maximum security – all glass panels including fixed panel are install from the inside making it the most secured casement system in the market.
- Optimum insulation and acoustic performance due to thermally broken aluminium profiles.
- Invisible hinge and friction stay, Butt hinge option possible.
- Glass thickness from 6 mm to 24 mm.
- Multipoint locking system.
- Maximum width of sash is 900 mm.





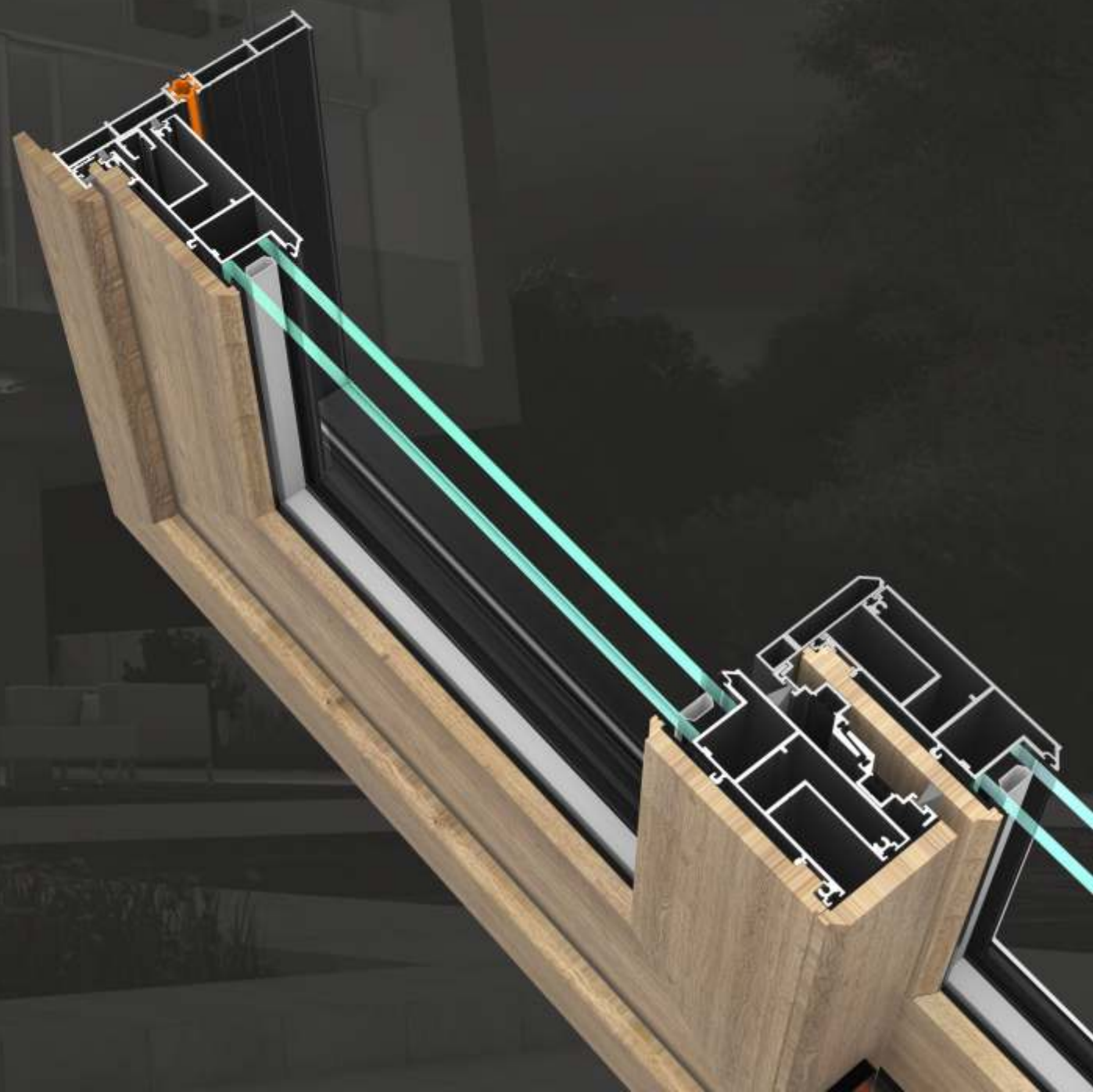
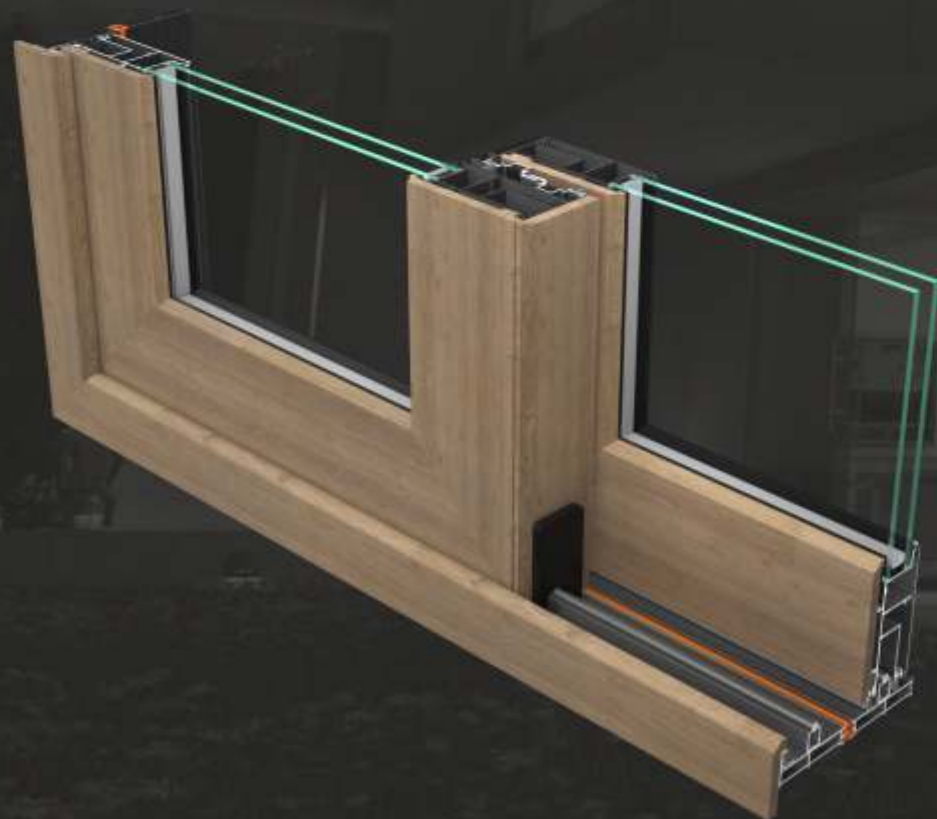
## Aluwood Aluminium Wood Sliding System

Elegance of real wood inside and versatility of aluminium outside.

The Aluwood system combines wood and aluminium to create an elegant look without sacrificing quality and high performance.

## FEATURES

- Contemporary design.
- Comfort and elegance of real wood inside.
- Aluminum on the exterior face protects the window against the environmental elements.
- High thermal & acoustic insulation and perfect sealing from external agents.
- Lift & Slide option available.





## EcoSlide®

Ecofriendly / Economical Thermally Broken Sliding System

### A window that pays for itself.

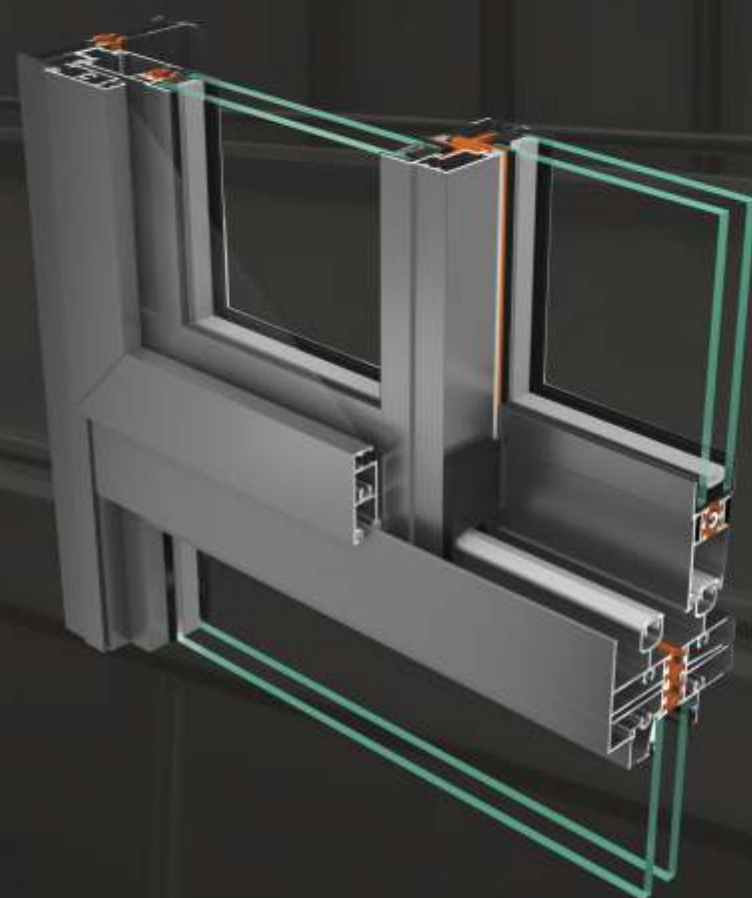
Increase energy efficiency & acoustic isolation with Thermaline® EcoSlide® system.

Thermaline® EcoSlide® system is a thermal barrier aluminium sliding system that is contemporary, slim and elegant. Besides meeting the aesthetic requirements, the system adheres to International quality standards.

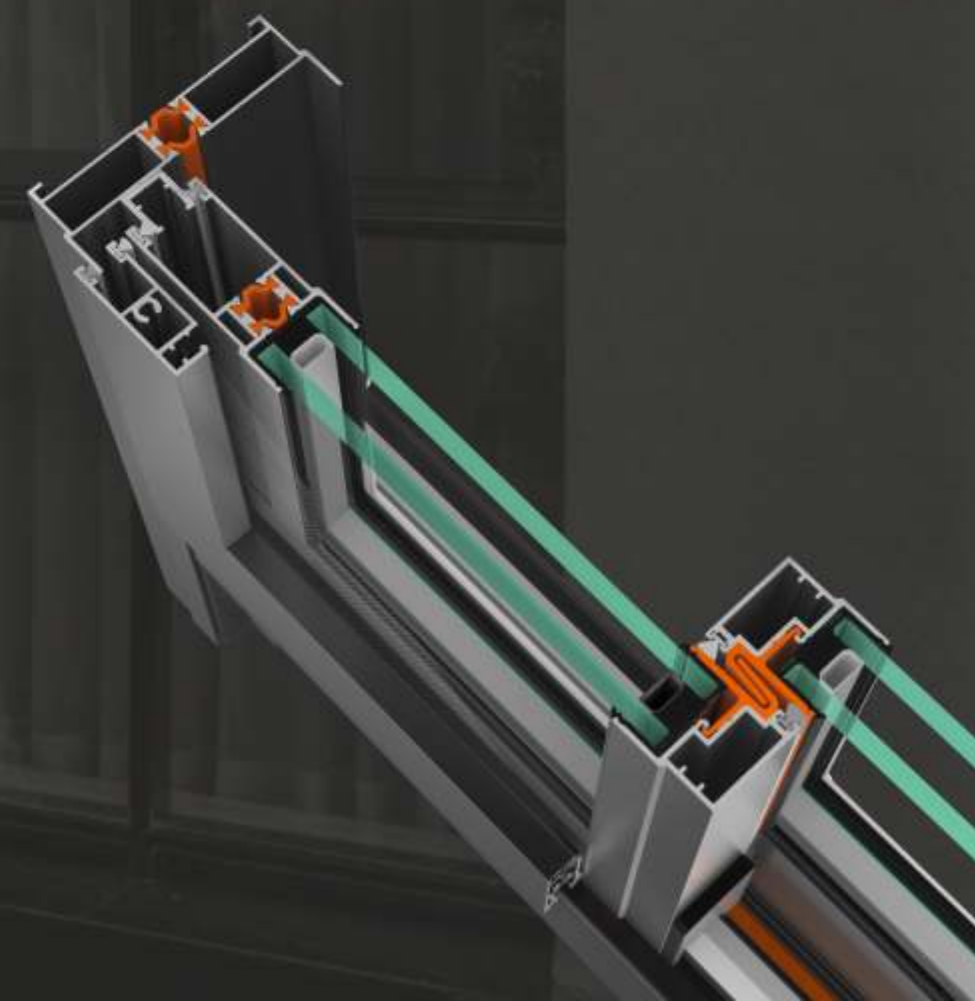
Thanks to thermal barrier technology, Thermaline® EcoSlide® system prevents heat from entering while preserving the temperature of the room for much longer. Thus, a reduction in air conditioning cost leading to savings for the owner. Thermaline® EcoSlide® system are perfectly designed to reduce the transmission of sound.

## FEATURES

- Thermally broken aluminium profiles for better energy saving & acoustic insulation.
- Bi-color options are available.
- 2 track & 3 track provision with fix glazing.
- Effortless sliding action.
- Provision for glass panels of thickness 4 mm to 6 mm, 10 to 13.52 mm & 24 mm.
- Central profile (Interlock) 35 mm wide.
- All joints are 90° & overlapping for increased strength and to avoid light infiltration.
- The system is fully airtight and watertight.
- Built-in track for fly mesh.
- Provision of reinforce vertical profile for higher wind load.
- The system is compatible with European hardware (EURO groove).
- Single / Multi-point locking arrangement with anti-false locking mechanism.
- Maximum size of the shutter can be 1250mm \* 2800mm.
- Easy fabrication with minimal tools.



A correct choice of glass and professional installation of the system ensures maximum peace of mind and comfort.





## EcoSlide®

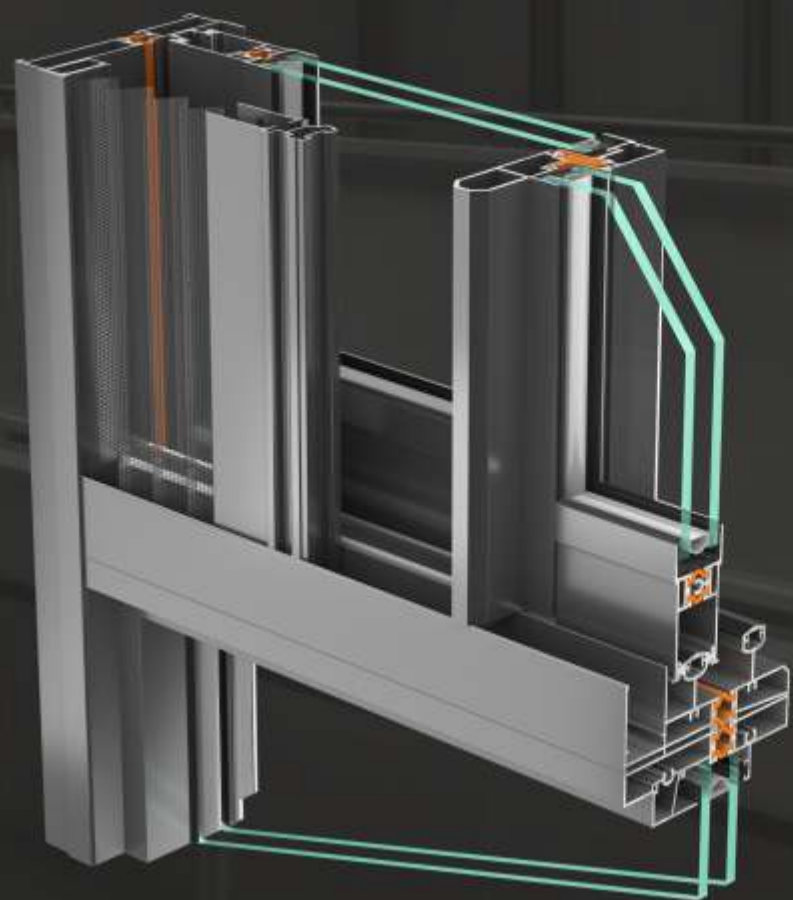
Ecofriendly / Economical Thermally Broken Slide With Integrated Pleated Mesh

### A window that pays for itself.

Increase energy efficiency & acoustic isolation with Thermaline® EcoSlide® system.

Thermaline® EcoSlide® system is a thermal barrier aluminium sliding system that is contemporary, slim and elegant. Besides meeting the aesthetic requirements, the system adheres to International quality standards.

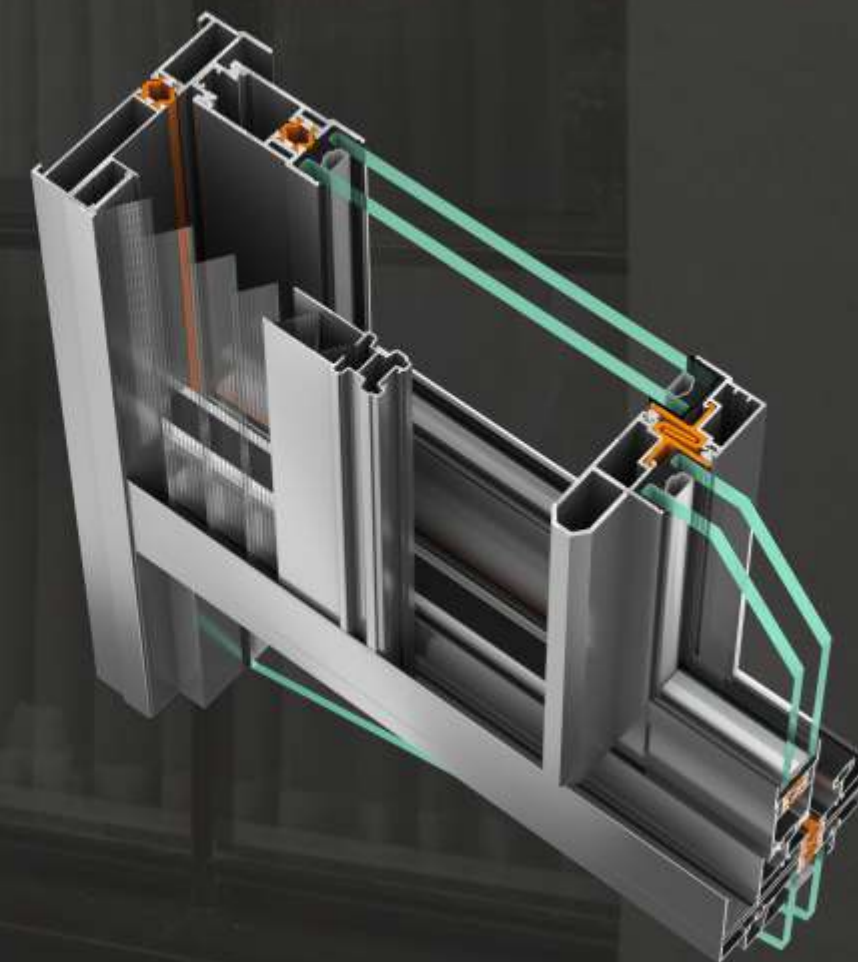
Thanks to thermal barrier technology, Thermaline® EcoSlide® system prevents heat from entering while preserving the temperature of the room for much longer. Thus, a reduction in air conditioning cost leading to savings for the owner. Thermaline® EcoSlide® system are perfectly designed to reduce the transmission of sound.



A correct choice of glass and professional installation of the system ensures maximum peace of mind and comfort.

## FEATURES

- Thermally broken aluminium profiles for better energy saving & acoustic insulation.
- Bi-color options are available.
- 2 track & 3 track provision with fix glazing.
- Effortless sliding action.
- Provision for glass panels of thickness 4 mm to 6 mm, 10 to 13.52 mm & 24 mm.
- Central profile (Interlock) 35 mm wide.
- All joints are 90° & overlapping for increased strength and to avoid light infiltration.
- The system is fully airtight and watertight.
- Built-in track for fly mesh.
- Provision of reinforce vertical profile for higher wind load.
- The system is compatible with European hardware (EURO groove).
- Single / Multi-point locking arrangement with anti-false locking mechanism.
- Maximum size of the shutter can be 1250mm \* 2800mm.
- Easy fabrication with minimal tools.





## EcoCasement

### Ecofriendly / Economical Thermally Broken Casement System

#### A window that pays for itself.

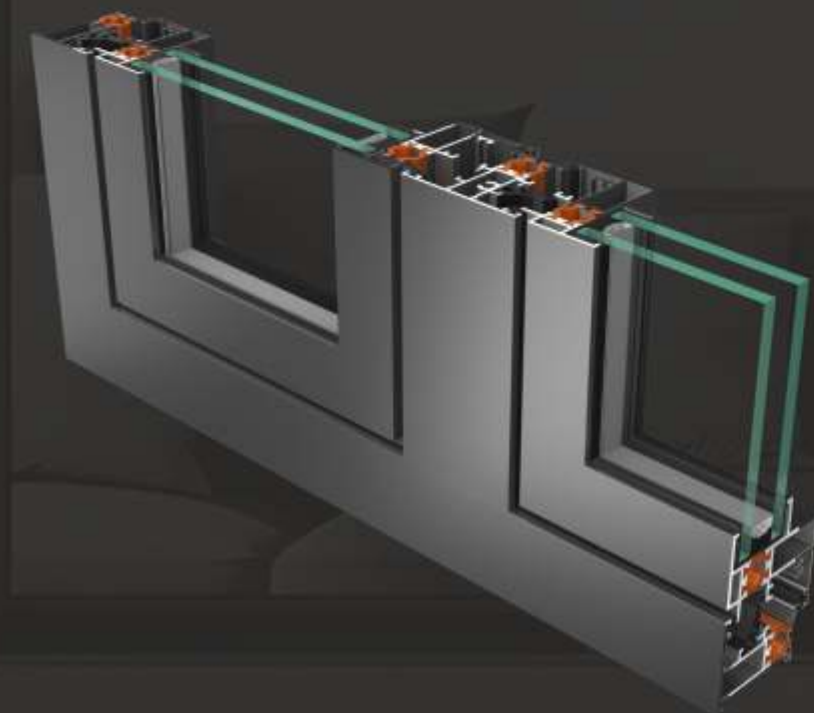
Distinct architectural appeal & excellence in comfort. Thermaline® EcoCasement system is a thermal barrier aluminium casement system which is specifically designed to meet the demand for an outward opening window with very slim profiles and to provide maximum thermal & acoustic insulation.

Its 75mm face width and 55mm frame depth make it one of the sleekest casement window in its industry.

Thermaline® EcoCasement system allows for maximum daylight access, features excellent weather resistance and optimal insulation.

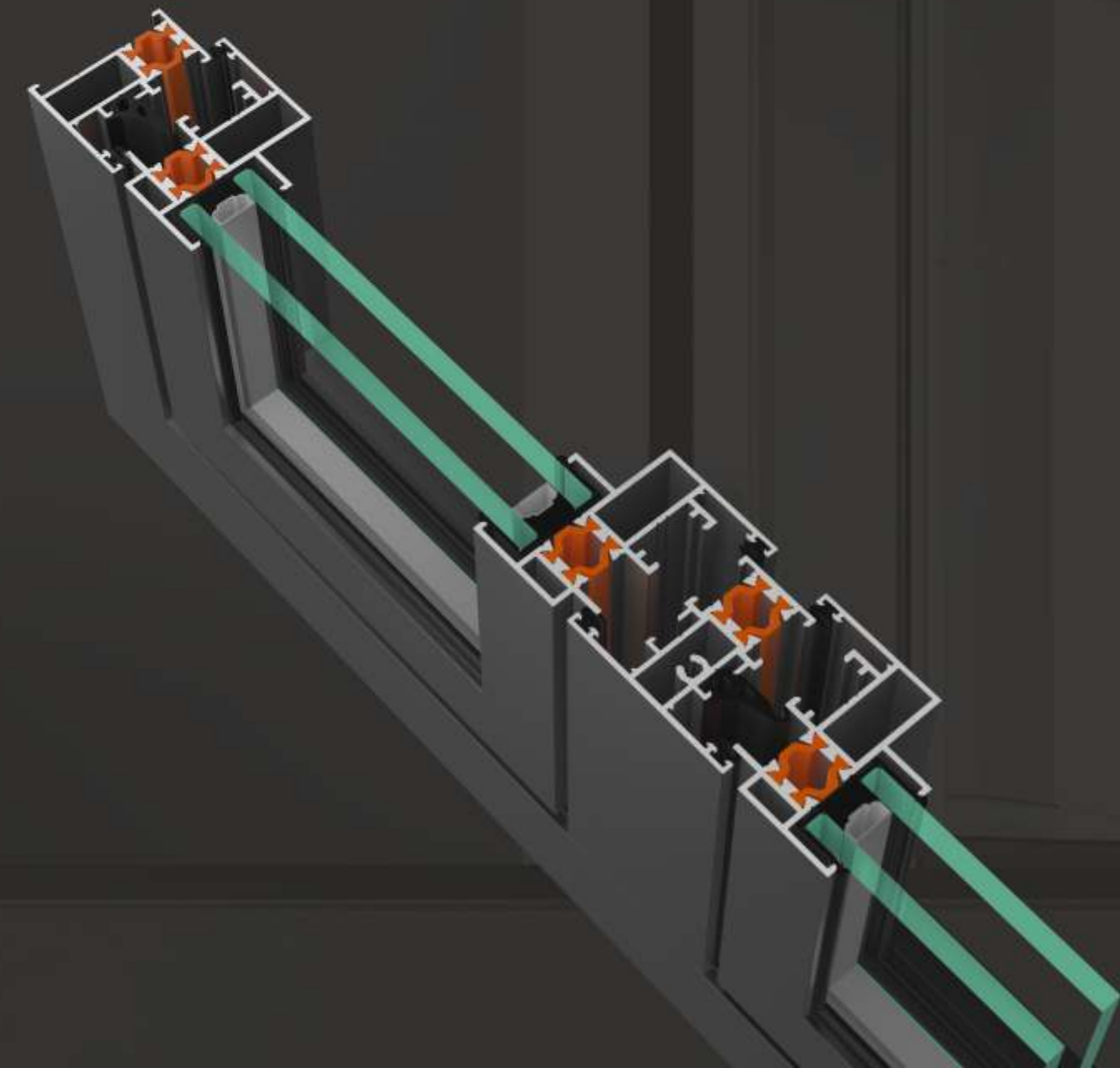
With 3 circumferential sealings, EcoCasement system keep out noise, dust, wind, and rain.

High levels of burglar-proof security can be achieved by using multi-point locking with safety glass.



## FEATURES

- Thermally broken aluminium profiles for better energy saving & acoustic insulation.
- Bi-color options are available.
- Provision for glass panels of thickness 4 mm to 6 mm, 10 to 13.52 mm & 24 mm.
- The system is compatible with European hardware (EURO groove).
- Sleek profiles of only 75 mm together with outer frame and sash.
- Provision of 125 mm high profile for door bottom with gasket seal.
- Maximum width of the shutter can be 900 mm.
- Can fit into any topology.





## EcoVertical Economical Vertical Sliding System

### Simple design for longevity and easy maintenance.

EcoVertical window is a vertically opening aluminium sliding window.

The sashes move gently and safely thanks to the mechanism making it possible to fix them at any point on the track.



### FEATURES

- EcoVertical windows do not require complex hardware which means years of operation with reliability and last efforts. Sashes can also be tilted for easy cleaning.
- Thanks to their versatility, EcoVertical windows are used to fill spaces where no other type of opening is possible.
- EcoVertical windows can have one moving sash and another fixed one, or two moving sashes that slide vertically on separate sets of guides.

### Advantages of EcoVertical Windows are

- Slim profiles for a more contemporary look.
- Economical vertical sliding with double sash.
- Tilt-in top and bottom sash for easy cleaning.
- The lock automatically engages when the window is fully closed.
- Windows are waterproof and soundproof.
- Provision of spring balance for large span sash.
- Maximum 900 mm x 1500 mm without spring balance.
- Glass panels of thickness 4 mm to 6 mm & 10mm to 13.52 mm and 16 mm DGU can be used.



## Signature

### Thermally Broken Casement & Door System

Energy cost and noise pollution continue to rise there is nothing that we can do about it.

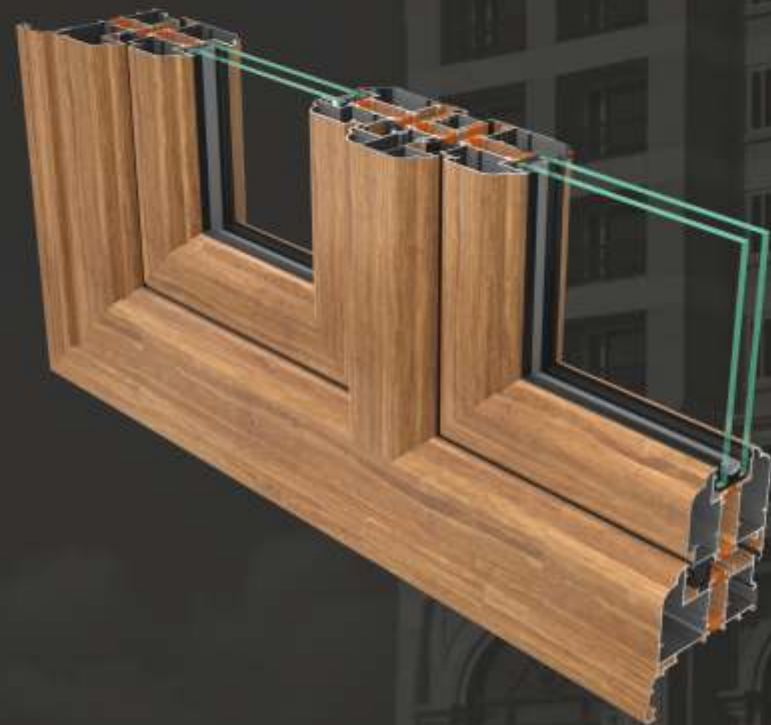
You can, however, switch to Thermaline® Signature systems to reduce your energy consumption from spiraling and for optimum comfort.

Thermaline® Signature systems offer excellent thermal and acoustic insulation, resulting in higher energy savings and improved comfort.

Thanks to thermal-break technology, Thermaline® Signature systems save up to 35% energy as they do not allow heat to enter while preserving the temperature of the room for much longer. Thus, a reduction in air conditioning cost and savings for the owner. Thermaline® Signature systems are perfectly designed to reduce the transmission of sound.

Proper choice of glass and professional installation of the system ensures maximum peace of mind and high comfort.

Thermaline® Signature systems combine architecture, design, and function.

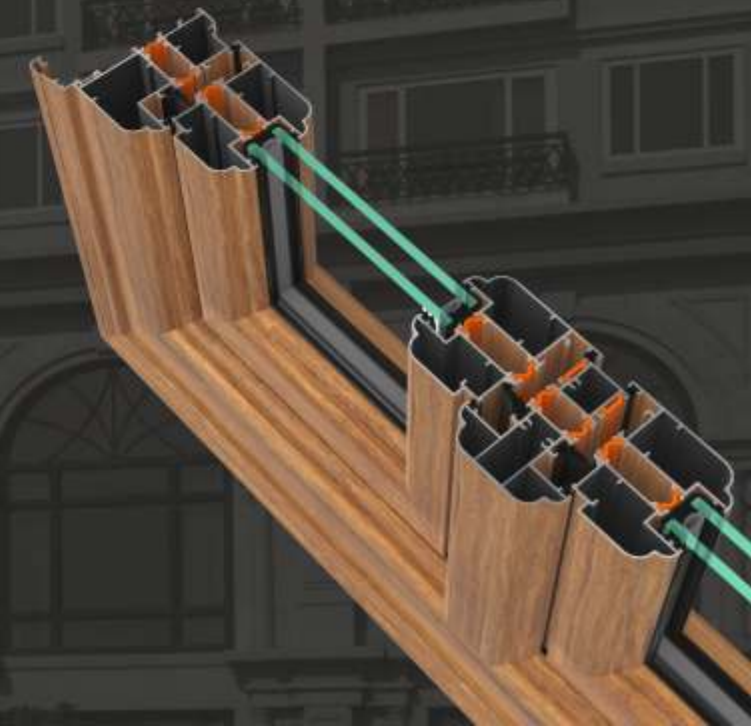


## Signature Casement

- Provision for glass panels of thickness 4 mm to 6 mm, 10 to 13.52 mm & 24 mm.
- Bi-colour option available.
- 3 options of architraves.
- Optional French type windows with Georgian bar available.
- Multipoint locking system.
- Tilt & Turn available.
- 3 circumferential sealings to keep out noise, dust, wind, and rain.
- Designed to withstand 1500 to 2500 pascals wind load.
- The system is compatible with European hardware (EURO groove).
- Maximum size of shutter 1200mm \* 2400mm.

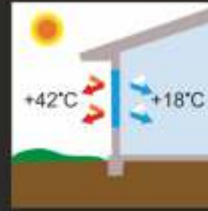
## Signature Door

- Provision for glass panels of thickness 4 mm to 6 mm, 10 to 13.52 mm & 24 mm.
- Bi-colour option available.
- 3 options of architraves.
- All doors with a threshold.
- Multipoint locking system.
- 3 circumferential sealings to keep out noise, dust, wind, and rain.
- Designed to withstand 1500 to 2500 pascals wind load.
- The system is compatible with European hardware (EURO groove).
- Maximum size of shutter 1200mm \* 3200mm.





Energy cost and noise pollution continue to rise – there is nothing that we can do about it. However, you can switch to **THERMALINE®** products to reduce your energy consumption from spiralling and for optimum comfort.



# THERMALINE®

Eco Intelligent Solutions

Insulation against:



Noise



Dust



Rain



Pollution



Rising Energy Costs

We also provide customized design for aluminium sliding & casement systems, which are energy efficient & economical.

**THERMALINE®** products save up to 35% energy as they do not allow heat to enter while preserving the temperature of the room for much longer. Thus, a reduction in air conditioning cost and savings for the owner.

**THERMALINE®** products are perfectly designed to reduce the transmission of sound. Proper choice of glass and a professional installation of the system ensures maximum peace of mind and high comfort.

**THERMALINE®** products also means making a choice that respects the environment around us as aluminium, unlike UPVC, has a great resistance to weathering and therefore greater durability as well as being a fully recyclable material.

Another exceptional advantage of **THERMALINE®** products over UPVC is the unlimited availability of finishes with Bi-colour option, so as to ensure the satisfaction of every need and taste.

#### HEAD OFFICE:

Dasalad wadi, Lakkadpitha road,  
Vadodara, Gujarat 390001 India.  
Ph. : +91 265 2410080  
Email id : info@thermaline.in

#### FACTORY:

B P Patel Estate,  
Near Navdurga Mata Temple,  
Off NH : 64 Dasrath, Dist: Baroda,  
Gujarat 391740 India  
Ph. : +91 93779 76762

Website : [www.thermaline.in](http://www.thermaline.in)