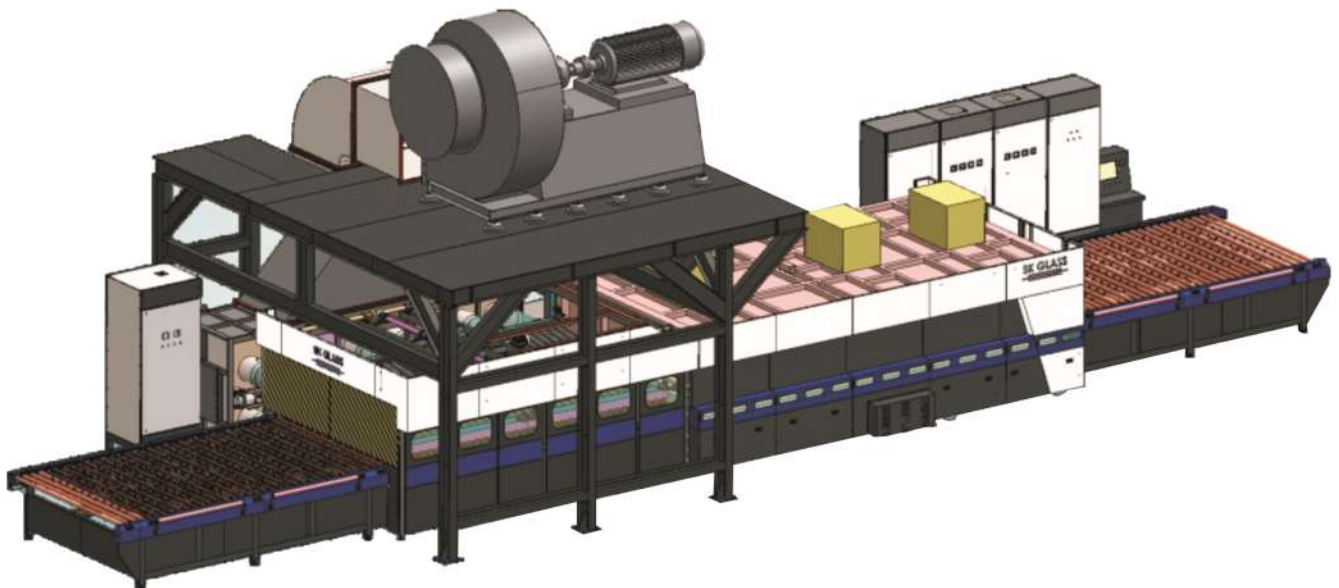
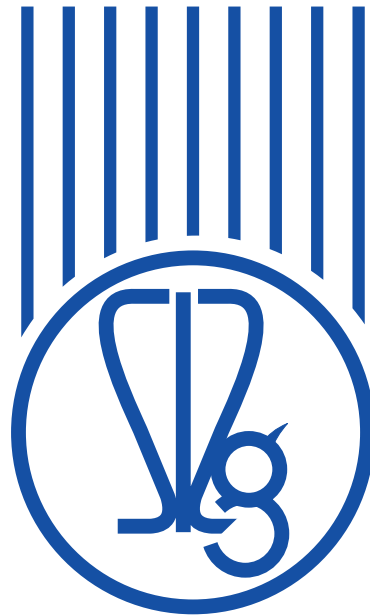
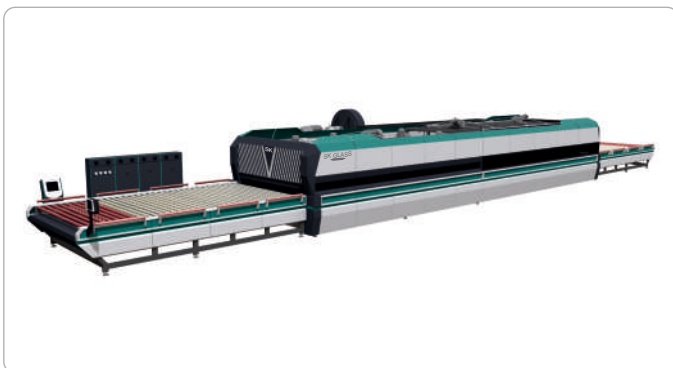


S.K. GLASS MACHINES (INDIA) PVT. LTD.

Advanced Glass Tempering Solutions



BEST CONVECTION TECHNOLOGY IN INDIA

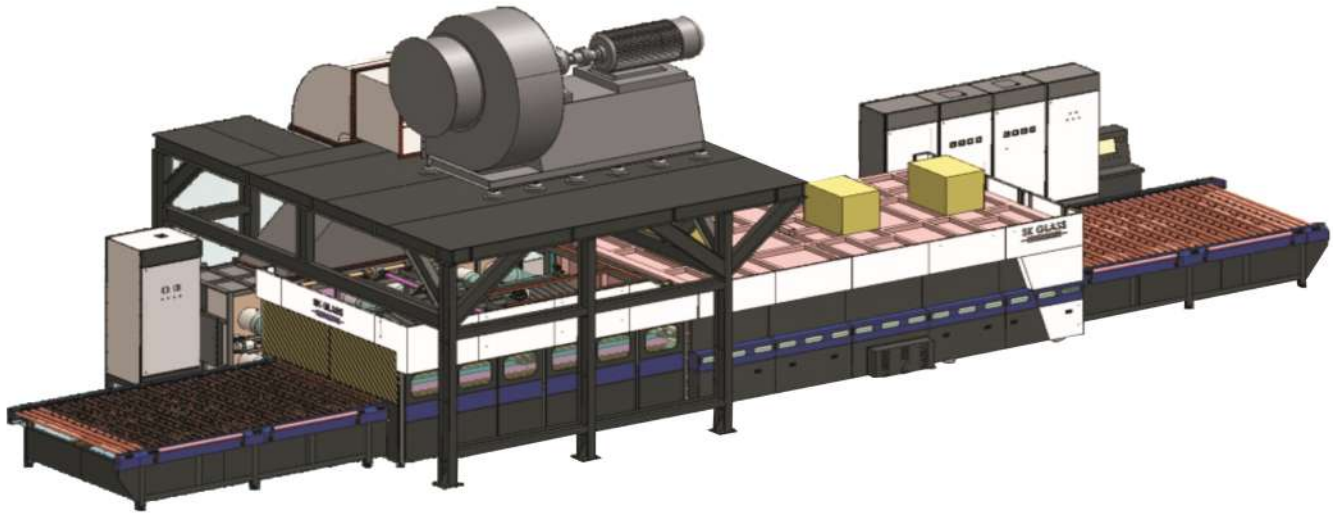


36 YEARS OF SK GLASS MACHINES INDIA
FORCED CONVECTION GLASS TEMPERING FURNACE

© 2024-25
www.skglassmachines.in



(SKTFC-Series) Top Forced Convection Glass Tempering Furnace



Provides efficient and consistent tempering for a variety of glass types. Ideal for small-to mid-sized glass fabrication operations. A new design of the quench nozzles and a new working angle emphasize the already very low glass anisotropy and iridescence.

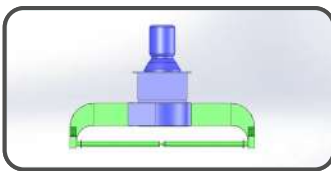
This furnace is designed to cater architectural clear, hard coated and soft coated glass in addition to solar, automotive, home appliances, furniture, interior decorative, lighting glass applications .

Our top FC jet pipe Low-E Furnace use ceramic convection air tubes, that avoids any metal oxidation, and fall down any metal dust to affect glass surface. Perfect flatness, reduced warp, better glass optical quality, reduced edge kinks and better anisotropy are few advantages of this type of furnace.

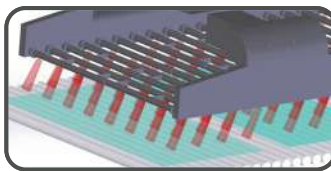
Main Performance Elements:



Ceramic Pipe Convection



FC 4 Kw Motor



Uniform Convection



Siemens G120 VFD



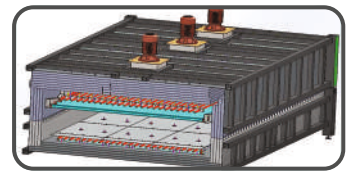
Double Chamber



Bending System



Perfect Flatness



Active Insulation



Servo Automotive Quality



Non Porous Rollers

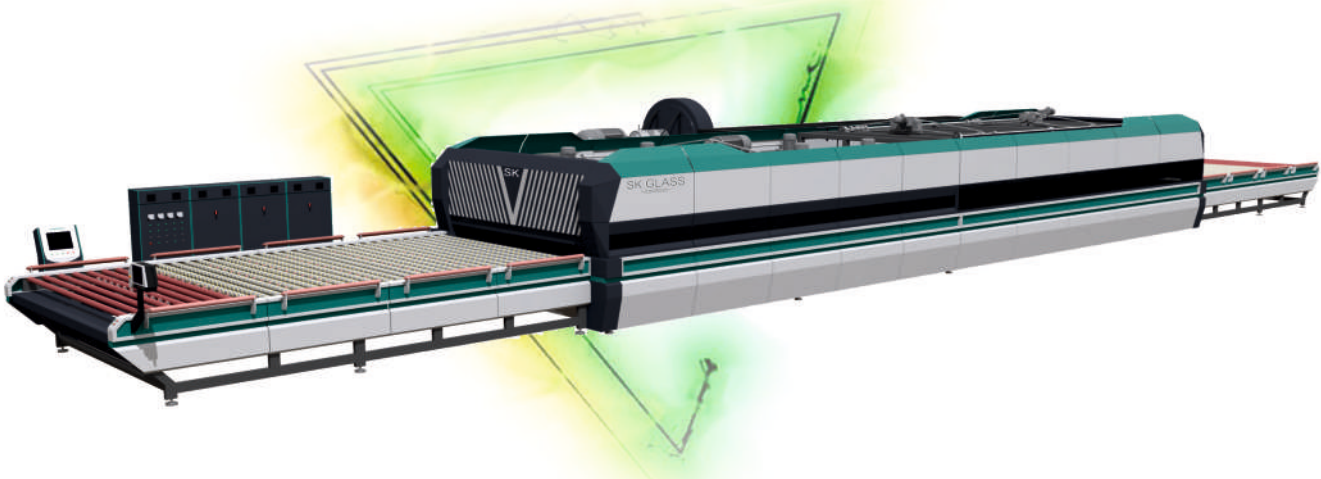


Spotless Quality



Bend Glass Production

Pipe Jet - Convection Furnace for Double Silver Coated Glass



Model No	Max Loading size	Min Loading size	Thickness	Heating Time in Seconds (Clear Glass)	Productivity (Loads/hr)	Power KV _a
SKTC-2036	2000X3660	150X300	4-19	28-34	18-20	600
SKTC-2436	2440X3660	150X300	4-19	28-34	18-20	690
SKTC 2442	2440X4200	150X300	4-19	28-34	18-20	730
SKTC-2450	2440X5000	150X300	4-19	28-34	18-20	950
SKTC-2460	2440X6000	150X350	4-19	30-36	18-20	1030
SKTC-2850	2800X5000	200X350	4-19	30-38	18-20	1030
SKTC-3250	3200X5000	300X500	4-19	32-40	18-20	1250

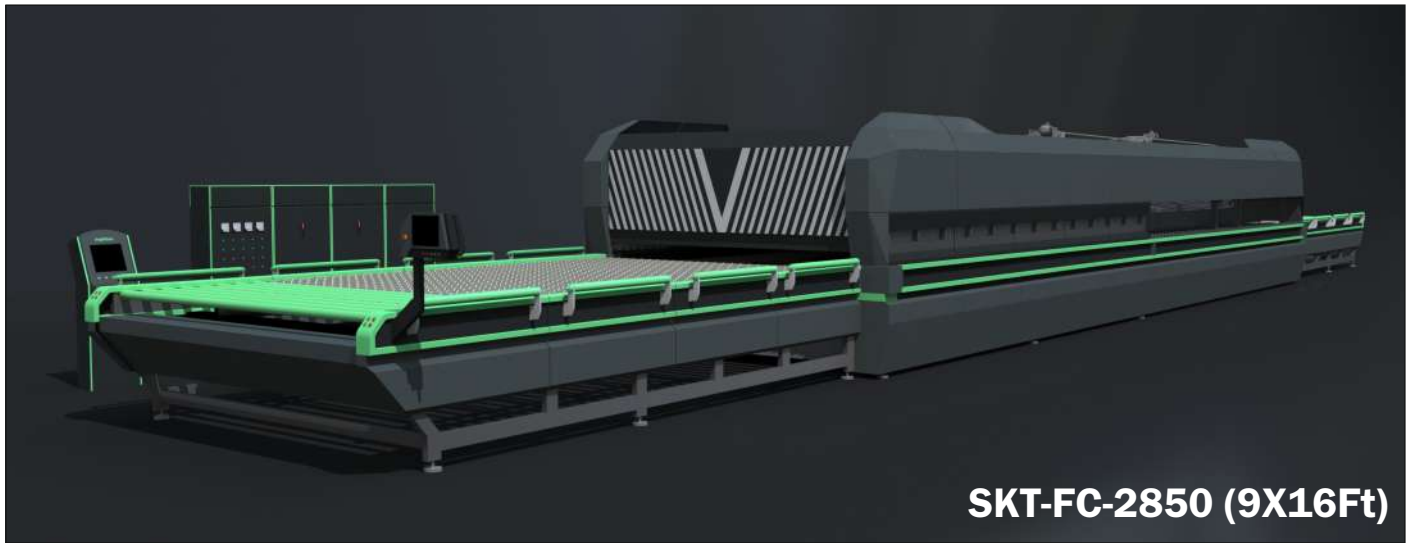
Characteristics:

- + **FCH-Forced Convection Heating** of the glass using special German grade SS-310 S centrifugal high pressure convection fans that impinges direct hot air on to surface of the glass to achieve uniform heating of glass,
- + **Low-E Glass Capability** can process Double Silver Low-E glass up to emissivity of 0.02 with minimal warp waves, lesser optical distortion and faster heating times with 1.2 times more the productivity are the key features.
- + **EEF-Energy Efficient Furnace** design that prevents heat loss from sides, entry and exit doors, with the quality of high temperature, high density 1260°C Japanese insulation technology helps us to be 30% more energy efficient.
- + **IQC-Independent Quench Control** enables the operator to efficiently control the bending problems observed in the glass.
- + **UTCS-Unique Temperature Control System** from Siemens Germany that control and monitors the entire heating uniformity.
- + **UBHC** Uni block heating chamber helps in reducing thermal heat losses unlike Chinese furnaces.

Thickness	4mm	5mm	6mm	8mm	10mm	12mm
Productivity (Batches/hour)	22-26	15-17	11-13	9-12	15-17	6-7

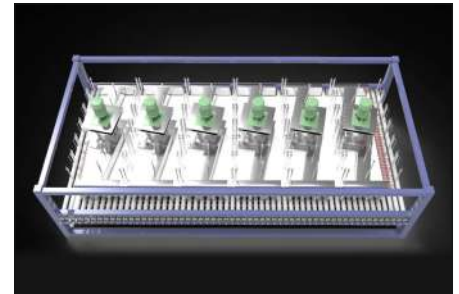
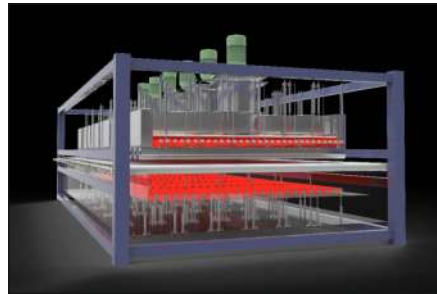
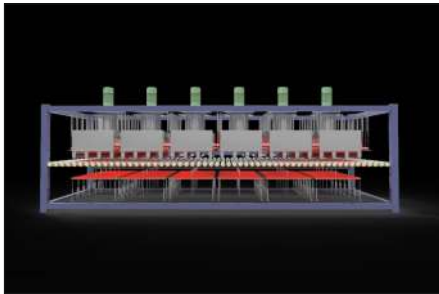


FLAT & BEND DOUBLE JET- CONVECTION GLASS TEMPERING FURNACE



SKT-FC-2850 (9X16Ft)

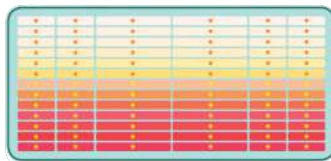
The new SK Box Profile Jet tempering furnace incorporates re-circulated zonal convection fans on the top of the oven with turbo blower fan and aspiration tubes on the bottom heating zone. Along with other unique advanced technology features this enables the furnace to temper float glass at a faster production rate than all its competitors whilst maintaining the absolute best low e glass quality.



Fire Proof Glass & Forced Convection System



Main Performance Elements:



Fine Heating Matrix



Profiled Heater System



Box Nozzle



310 SS Box German Grade



Quality Components



Servo Bending Section

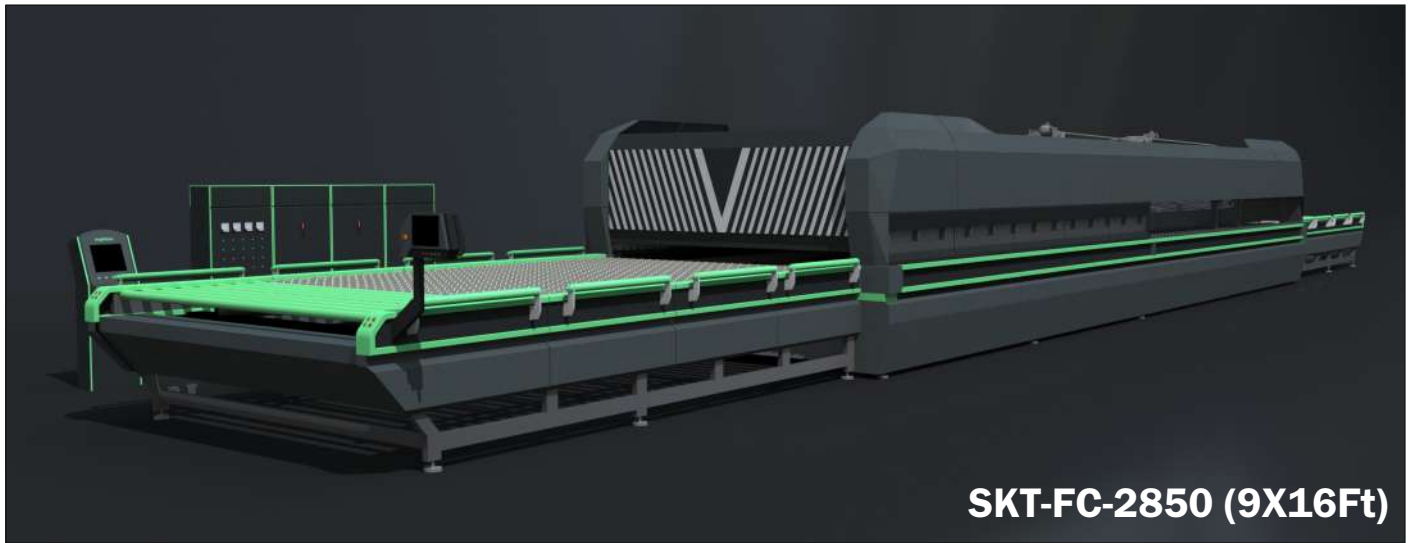


High Quality Ceramic Rollers



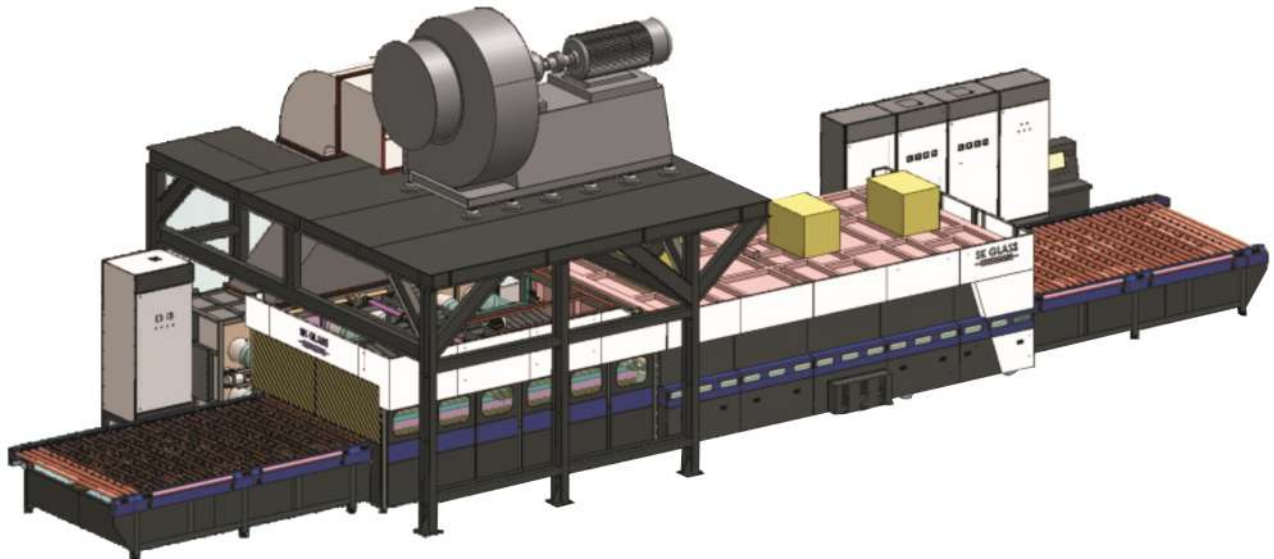
Spotless Quality

PROFILE DOUBLE JET- CONVECTION GLASS TEMPERING FURNACE



+ 5th Generation Top Profile Double Box Convection Series

- + Capability to produce super Low-e
- + Lowest Energy consumption
- + Bottom Convection Optional
- + 40% faster than radiation furnace
- + Intelligent Heating Control system
- + Double & Single Box Convection
- + Energy Saving System
- + Synchro Ceramic Transmission System
- + Active Thermal Insulation
- + Xtreme Profile Nozzle Convection



Model No	Max Loading Size	Min Loading Size	Thickness	Productivity (Loads/hr)	Power KVa
SKT-FC-2442, 8X14 Ft	2440 X 4220	300 X 300	4-19	17-18	550
SKT-FC-2842, 9X14 Ft	2800 X 4200	300 X 400	4-19	17-18	650
SKT-FC-2850, 9X16 Ft	2800 X 5000	300 X 400	4-19	17-18	725
SKT-FC-2860, 9X20 Ft	2800 X 6000	300 X 400	5-19	17-18	900



What We Do - Growing with Our Customers

- + Architectural Glass
- + Residential Indoor Glass
- + Touch Screen Switch Panel Glass
- + Curved Glass
- + Low-E Insulated Unit Glass
- + Small Size LED Glass
- + Solar Panel Glass
- + Furniture Glass
- + Stove and Chimney Glass
- + Optical & Borosilicate 3.3 Glass
- + Automotive Rear Windshield Glass

What We Offer - Best Products and Services

- + Profile Jet DC (Double Chambers Furnace with Advanced Thin Glass Tempering Technology)
- + Re-Circulated Convection Tempering Technology
- + ProfileJet + ProfileJet
- + ProfileJet + Radiation
- + Single Chamber Top & Bottom Re-circulated Convection Blowers
- + Single Chamber Top Re-circulated & Bottom High Speed Convection Blowers
- + Double Chambers Top Re-circulated & Bottom High Speed Convection Blower
- + Single Chamber with Block Matrix Heating & Convection Systems
- + Double Chambers with Block Matrix Heating & Convection Systems
- + Double-single Chamber with Block Matrix Heating & Convection Systems
- + Continuous with Block Matrix Heating & Convection Systems
- + MiniJet (Small Glass Size Tempering Furnace)
- + Soak Pro Lam (Combination Heat Soak Testing & EVA Laminating Oven)
- + SK LamiPro PVB (High or Low Volume Laminating Solutions)
- + Convection Automotive Serial Bending Windshield Furnaces

Glass Tempering Technology

- + Standard (Forced Convection) Flat Glass Tempering Furnace
- + Passing Through (Forced Convection) Flat Glass Tempering Furnace
- + SSP Double Chambers (Forced Convection) Glass Tempering Furnace
- + Continuous Flat Glass Tempering Furnace®
- + Lengthwise Bending & Tempering Furnace
- + Continuous Lengthwise Bending & Tempering Furnace
- + Asymmetrical Bending & Tempering Furnace
- + Continuous Lengthwise Bending & Tempering Furnace
- + Cross Bending & Tempering Furnace
- + Double Curved Bending & Tempering Furnace



India's Smallest Double Chamber Furnace Installed in Chennai, Tamil Nadu.

SK



Jet Convection Glass Tempering Furnace For High Strength Tempered Glass

(Size Available)

8 x 12 Ft 9 x 16 Ft
8 x 14 Ft 10 x 16 Ft
9 x 14 Ft 10 x 20 Ft

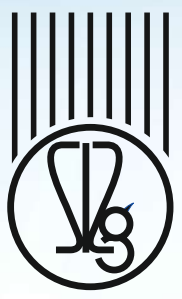


SK Glass-Our Prestigious Clients

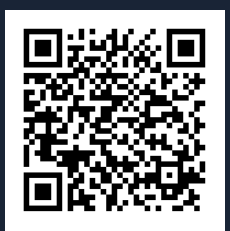
AAIMAA INDUSTRIES, JODHPUR	SKT-2845	KUBER GLASS INDUSTRIES, BHATINDA PUNJAB	SKTFC-2442
SHIRIRAM TOUGHENED GLASS PVT.LTD, JIND	SKT-2442	DARSHI SAFETY GLASS, BANGALORE KARNATAKA	SKTFC-2436
DARSHI SAFETY GLASS, BANGALORE	SKT-1630	INTEGRAL GLASS CREATIONS LLP	SKTFC-2436
SIDDHIDATRI APPLIANCES PVT LTD, ROORKEE	SKT-2436	INFINITY GLASS INDUSTRIES, HR	SKTFC-2842
MANGLAM EXCLUSIVE PRODUCTS, JAIPUR	SKT-2236	T.P.R.S. GLASS, DHARWAD	SKTFC-2450
CONTINENTAL TUFF GLASS PVT LTD , UDAIPUR	SKTFC-2442	INFINITY GLASS INDUSTRIES, PALWAL	SKDB-2842
RAJ SAFETY GLASS COMPANY, INDORE	SKT-2436	ANAND GLASS, BHUBANESWAR	SKTFC2436
AMAFHH GLASS TUFF, VASAI	SKT-2233	T.P.R.S. GLASS, PUDUCHERRY	SKT-0623
FORTUNE GLASS INDUSTRIES, HYDERABAD	SKT-2436	BANGALORE TUFF	SKTFC2436
ANAND LAMPS PVT LTD, JAIPUR	SKTC-2442	HNR TUFF GLASS, HYDERABAD	SKTFC-2448
TPRS ENTERPRISES, PONDICHERRY	SKTC-2450	CLASSIC TUFF & LIGHTING, MUMBAI	SKT-1325
TPRS ENTERPRISES, DHARWAD-TATA MOTORS	SKTC-2442	MOUNTAIN SAFETY, CHENNAI	SKTFC-2448
R & B GLASS INDUSTRIES, RAJKOT	SKT-2442	ROYAL TOUGHENED GLASS INDUSTRIES, BENGALURU	SKTFC-2448
TUFF GLASS TECHNOLOGIES, INDORE	SKTC-2442	B.N. INFOTEK, BENGALURU	SKT-2436
JAY KHODIYAR, AHMEDABAD	SKTC-2440	ANAND GLASS , BHUBANESHWAR	SKTFC- 2436
FUTURE TOUGHENED, AHMEDABAD	SKT-2436	PRIME SAFETY HASSAN, KARNATAKA	SKTFC-2448
KRISHNA TOUGH, AHMEDABAD	SKT-2436	ASTH VINAYAK, WEST BENGAL	SKTFC-2448
BIG POWER TOUGH, AHMEDABAD	SKT-2436	CLASSIC TUFF, BHUBHNESHWER	SKTFC-2448
ARIHANT SAFETY GLASS, BANGALORE	SKT-2436	ARIHANT SAFETY GLASS, BANGALORE	SKT 2030-B-16
PARAGON ROOFING INDUSTRIES , MEERUT	SKT-1925	GLASSIA GLASS SOLUTIONS, BHUBANESWAR	SKT-2030
AMIT GLASS PVT LTD, JAIPUR	SKT-1925	SHREE SHAYM GLASS INDUSTRIES, KANGRA	SKTFC-2442
GLOBAL INDUSTRIES, KUNDLI	SKT-1325	UNIVERSAL CRYSTAL TULF, RATLAM	SKT-2436
SWASTIK TOUGHENED GLASS LLP, SONEPAT	SKT-2236	TPRS, PONDICHERRY	UP COMING
INFINITY GLASS INDUSTRIES, PALWAL	SKT -2436	BN INFOTECH, BARGARH	SKT - 2436
JIVAN INDUSTRIES, RAIPUR	SKTC-2442	PRIME SAFTY GLASS, HASSAN	KR, SKT-2436
R. D. TUFF GLASS, MUMBAI	SKT-1325	HNR, TUFF, HYDERABAD	SKTFC-2442
GLARE GLASS, KATHUA JAMMU & KASHMIR	SKTC-2442	MOUNTAIN SAFTY GLASS	SKTFC-2442
MARUTI INDUSTRIES, PUNE	SKT-1525	ROYAL TUFF GLASS, BANGALORE	SKTFC-2436
AMBA GLASS PVT LTD, VIJAYWADA	SKTC-2442	CLASSIC TUFF & LIGHTING	SKT-1325
AAIMAA INDUSTRIES, HYDERABAD	SKTC-2442	ASHTAVINAYAK GLASS	SKTFC-2442
J K TOUGHENED GLASS INDUSTRIES, JALANDHAR	SKT-2436	JAI BHAWANI GLASS, PALGHAR	SKT-2030
SOLARIO TUFF 'N' GLASS PVT LTD, SONEPAT	SKT-2436	NEW JUMBO PLANT, CO STEEL ASSAM	SKTFC-2436
RAMESHWARAM BUILDMATE PVT LTD, BANGALORE	SKT-2436	NEW JUMBO PLANT, DHULE	M H-SKTFC-2436
CHARBHUJA GLASS PVT LTD, BHILWARA	SKT-2436	NEW JUMBO PLANT, HYDERABAD	SKTFC-2842/2442
MODERN ART GLASS, BANGALORE	SKTFC-2850	NEW JUMBO PLANT COMING IN BENGALURU	SKTFC- 2850
AMAFHH GLASS TUFF, VASAI MUMBAI	SKT-2436	NEW JUMBO PLANT COMING IN RAJASTHAN	SKTFC-2860
SAGAR SAMRAT GLASS PVT. LTD. SAGAR MP	SKTFC-2442	NEW JUMBO PLANT COMING IN GHAZIABAD	SKT-2236
GLASS ARENA INDIA PVT. LTD. KARNAL HR	SKTFC-2442		
DINESH GLASS INDUSTRIES KANGRA HP	SKTFC-2442		
ROYAL INDUSTRIES SIKAR RAJASTHAN	SKTFC-2436		
UVEE GLASS PVT. LTD. BHILWARA, RAJASTHAN	SKTFC-2442		
BIKANER TUFFEN GLASS BIKANER, RAJASTHAN	SKTFC-2436		
PIONEER GLASS PVT. LTD. JUNAGARH, GUJARAT	SKTFC-2442		
NATIONAL GLASS INDUSTRIES. BADDI HP	SKTFC-2436		

OVER 200
PLANTS RUNNING
SUCCESSFULLY



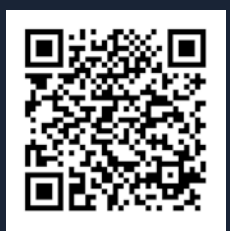


Innovations, Services & Solutions tailored to align with the evolving needs of the **Architectural, Automotive, Solar & Appliance fields.**



S. K. GLASS MACHINES (INDIA) PVT. LTD.


Address - D-9 Meerut Road Industrial Area, Ghaziabad, UP
 Domestic Sales - +91 93100 13944, +91 84488 50970
 International Sales - +91-9873926105




 +91 9310013944

 sales@skglassmachines.com

 www.skglassmachines.in

 **Box Convection**

 **Pipe Convection**

 **Radiation**

 **Bending**

 **Home Appliance**