



**SILVERCOIN**  
**DOOR & WINDOW SYSTEM**

**DOOR & WINDOWS SYSTEM**

**RAILING SYSTEM**



**ULTRA SLIM SERIES (DOUBLE HEIGHT)**







Silvercoin is a renowned aluminium extrusion firm in the country and pioneer in the innovation of aluminium extrusion products. Incepted in 2010, brought to you with utmost sensitivity towards fine craftsmanship and attention to detail.

Our products are delightfully curated, which signifies elegance and leisure. Silvercoin believes in being recognized as a global leader of luxury fenestration system designs. The company specializes in luxury designs for Doors and Window systems catering to Premium Residence. With a wide distribution network and supply to our channel partners of fabricators and distributors, focusing on the Residential, Commercial and Industrial segments. Silvercoin's relentless pursuit of superiority has enriched lives across the country.

As success comes with dedication, we combine the latest security and protection Features.

ABOUT US

## OUR MISSION

Our constant urge to invent, innovate and growth has helped us to win the hearts of architects, interior designers and end users. We wish a better a society through quality and design.

# INDEX

<b>DOOR &amp; WINDOW SYSTEM</b>	<b>01</b>
<b>ULTRA SLIM SERIES</b>	<b>02</b>
<b>ULTRA SLIM SERIES 12MM</b>	<b>03</b>
<b>SLIDING FOLDING SERIES</b>	<b>04</b>
<b>SLIDE &amp; FOLD SERIES</b>	<b>05</b>
<b>HYBRID SLIM SERIES</b>	<b>06</b>
<b>MONORAIL SLIDING SERIES</b>	<b>07</b>
<b>20MM SLIDING SERIES</b>	<b>08</b>
<b>26MM SLIDING SERIES</b>	<b>09</b>
<b>32MM SLIDING SERIES</b>	<b>10</b>
<b>35MM SLIDING SERIES</b>	<b>11</b>
<b>40MM CASEMENT SERIES</b>	<b>12</b>
<b>45MM CASEMENT SERIES</b>	<b>13</b>
<b>50MM CASEMENT SERIES</b>	<b>14</b>
<b>65MM CASEMENT SERIES</b>	<b>15</b>
<b>DOOR SERIES</b>	<b>16</b>
<b>PARTITION SYSTEM</b>	<b>17</b>
<b>CURTAIN WALL SYSTEM</b>	<b>19</b>
<b>WALL CLADDING</b>	<b>21</b>
<b>MODULAR SHELVING SYSTEM</b>	<b>22</b>
<b>RAILING SYSTEM</b>	<b>23</b>

# DOOR & WINDOW SYSTEM



The classic Silvercoin doors & windows offer many benefits, with extra light and a feeling of space in your home being the most creative and noteworthy. As a result, our doors are well suited to many around-the-home applications. Our low threshold doors create a seamless access point from house to garden, giving you a magical sense of home space. We can help you create the space you've always wanted with products that make your life more comfortable, installation services and options that fit your needs, and the peace of mind that comes with some of the best warranties in the business.

We understand our customer's approach, consistently research and learn about the trends in our industry. Then we design the windows and doors you need: window, sliding, slants & turn, combination or something special. The research and the strong character allows us to be more enthused in creating unique product ranges.

Our precise and impeccable designed doors and windows enrich the vibrancy of the home. Silvercoin windows and doors improve the facade and indoor aesthetics, add more characters to the architectural style and alter the elements of bedrooms, the living room, the dining room, the kitchen and bathrooms. The resultant quality products infuse our growth and high benchmark of products.

## FEATURES

- Smooth Operation
- Higher Shutter Sizes
- Work with utmost correctness
- Easy Installation
- Proper Drainage Track slots
- Manufacturing on Hi-Tech Machinery
- Anti-Rattling & Anti Lifting Pads to Reduce Vibrations
- Sliding, Casement, Tilt & Turn, Sliding Folding System
- Single point, Multi point and Turn Locking System

**Energy Efficient:** Our products can help to minimize the cost of heating and cooling your home without sacrificing the aesthetics

**Sound Insulation:** The outside noise with minimal passage to enter your home, allowing you to sleep peacefully, enjoy solitude and reduce stress.

**Keep Insects Out:** Our products protect your home from insects while still allowing sufficient ventilation and sunlight inside.

**Block Rain Water Seepage:** The airtight sealing work to protect the invasion of rain into your home

**Better Views and Plenty of Sunlight:** With nothing to interrupt sunlight from streaming in and nothing to obstruct the view, offer significant advantages over traditional windows.

**Low Maintenance:** Windows and doors keep looking as good as new for years together and even outlast the building, mostly routine cleaning of dirt / dust from the surface will keep windows working year after year.

**Improve Home Security:** It improves the safety of your home and prevents theft while the windows and doors are closed.



# ULTRA SLIM SERIES



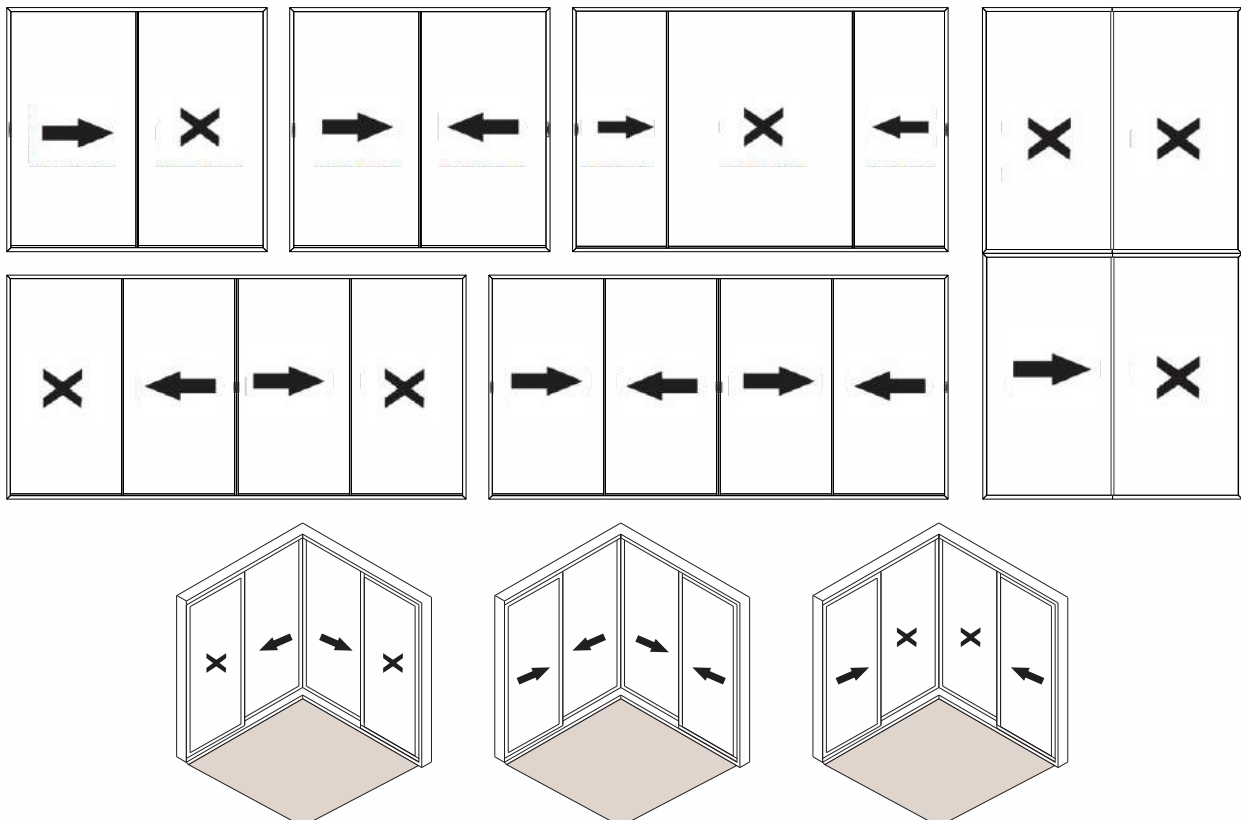
## SYSTEM INFORMATION

Ultra Slim series is designed with great detailing to make it best for levels of protection and aids in noise reduction, this series offers a modern indoor-outdoor living aesthetic to properties. With the ability to hide the outer frame within the internal and external wall finishes. It maximizes the view, this ultra-luxurious and minimal design is suitable for a wide range of buildings including residential extensions, new build houses, balconies etc.

## SYSTEM TECHNICAL SPECIFICATION

Profile Alloy	6063
Glass Thickness (mm)	36mm DGU
Max. Shutter Height (mm)	5000
Max. Shutter Size (mm)	3600 X 3000
Sliding Rail	Stainless Steel
Roller Bearings	Stainless Steel
Multi Point Locking	✓
Handle	180 Degrees
Frames Available	2 Track (Only)
Corner Window Option	Available
Mosquito Mesh Solution	✓

## TYOLOGIES POSSIBLE IN SLIM SERIES



# ULTRA SLIM SERIES 12MM



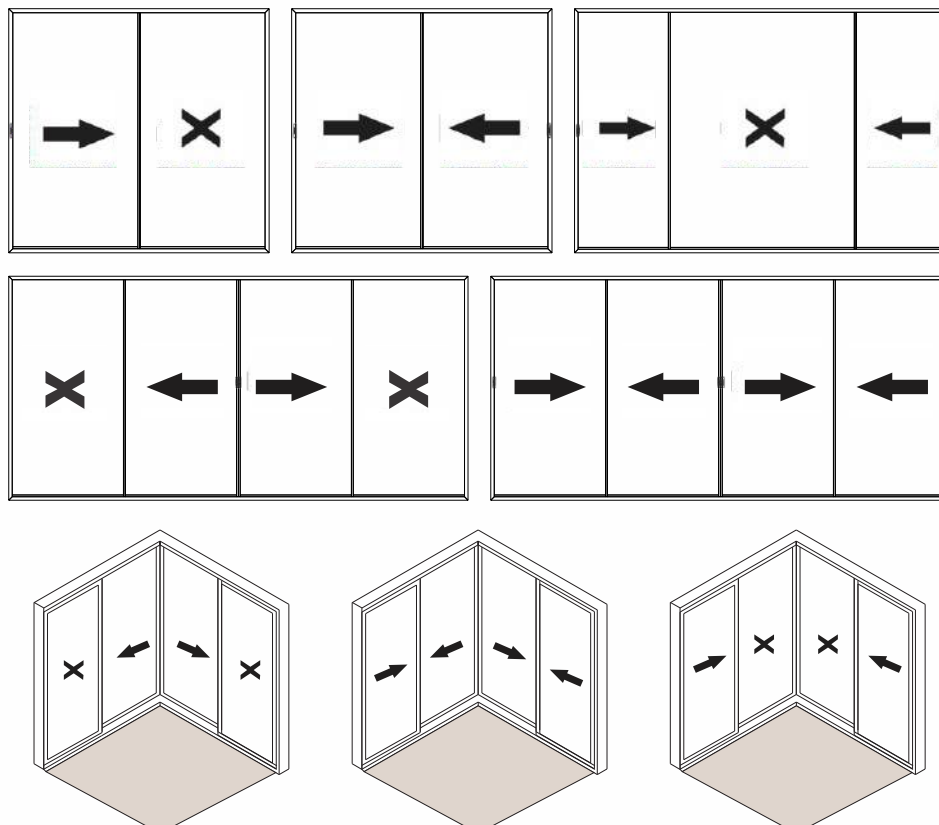
## SYSTEM INFORMATION

Ultra Slim 12mm series is designed with great detailing to make it best for levels of protection and aids in noise reduction, this series offers a modern indoor-outdoor living aesthetic to properties. With the ability to hide the outer frame within the internal and external wall finishes. It maximizes the view, this ultra luxurious and minimal design is suitable for a wide range of buildings including residential extensions, new build houses, balconies etc.

## SYSTEM TECHNICAL SPECIFICATION

Profile Alloy	6063
Glass Thickness (mm)	12-13.5mm
Max. Shutter Height (mm)	3000
Max. Shutter Size (mm)	1500 X 3000
Sliding Rail	Stainless Steel
Roller Bearings	Stainless Steel
Multi Point Locking	✓
Handle	Sliding
Frames Available	2 And 3 Track
Corner Window Option	Available
Mosquito Mesh Solution	✓

## TYOLOGIES POSSIBLE IN SLIM SERIES



# SLIDING FOLDING SERIES



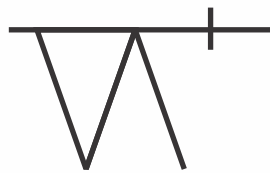
## SYSTEM INFORMATION

Sliding Folding window systems allow for any living or working area to be expanded to include an unobstructed view of the outdoors. They are also an excellent choice for pass-through and waiting room applications. For interior use installations, Sliding Folding window allows for the ability to open up one living area to another.

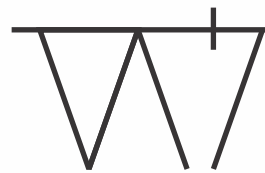
## SYSTEM TECHNICAL SPECIFICATION

Profile Alloy	6063
Max. Glass Thickness (mm)	5-36mm
Max. Shutter Height(mm)	2700
Max. Shutter Width (mm)	900
Multi Point Locking	✓
Single Point Locking	N/A
Mosquito Mesh Solution	✓

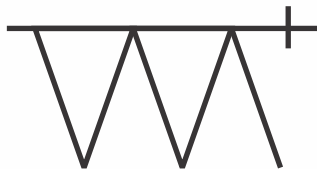
## TYOLOGIES POSSIBLE IN SLIDING FOLDING SERIES



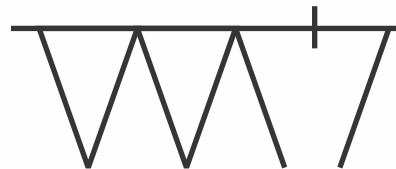
330



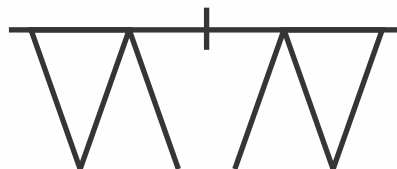
431



550



651



633



# SLIDE AND FOLD SERIES



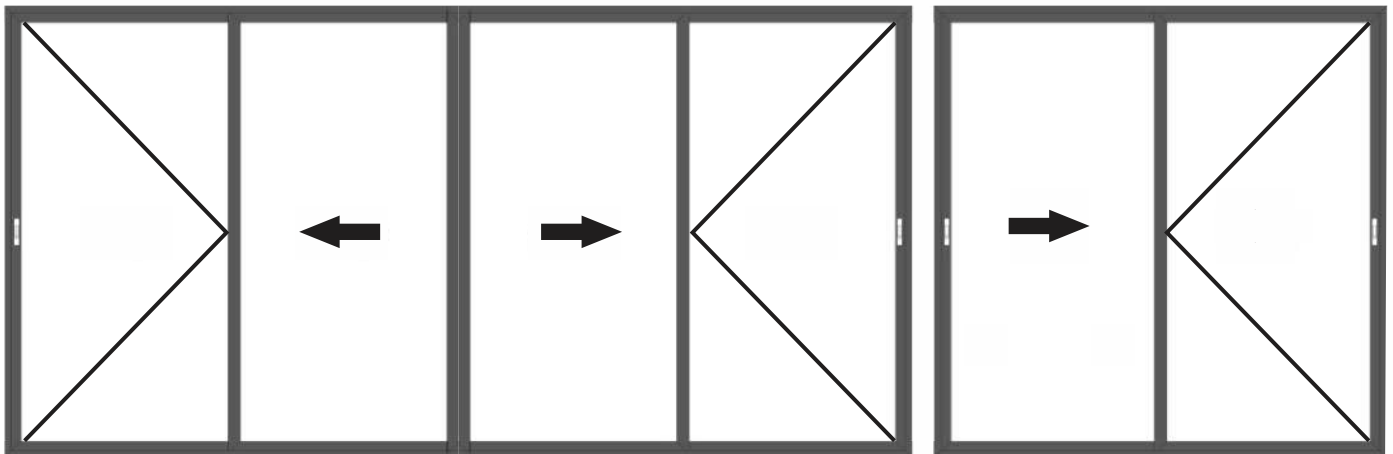
## SYSTEM INFORMATION

Sliding casement window system allow for any living or working area to be expanded to include an unobstructed view of the outdoors, they are also an excellent choice for pass-through and waiting room applications. for interior use installation, sliding casement window allows for the ability to open up one living area to another.

## SYSTEM TECHNICAL SPECIFICATION

Profile Alloy	6063
Max. Glass Thickness (mm)	6-18mm
Max. Height(mm)	2700
Max. Width (mm)	1800
Multi Point Locking	✓
Single Point Locking	✓

## TYPOLOGIES POSSIBLE IN SLIDE AND FOLD SERIES



# HYBRID SLIM SERIES



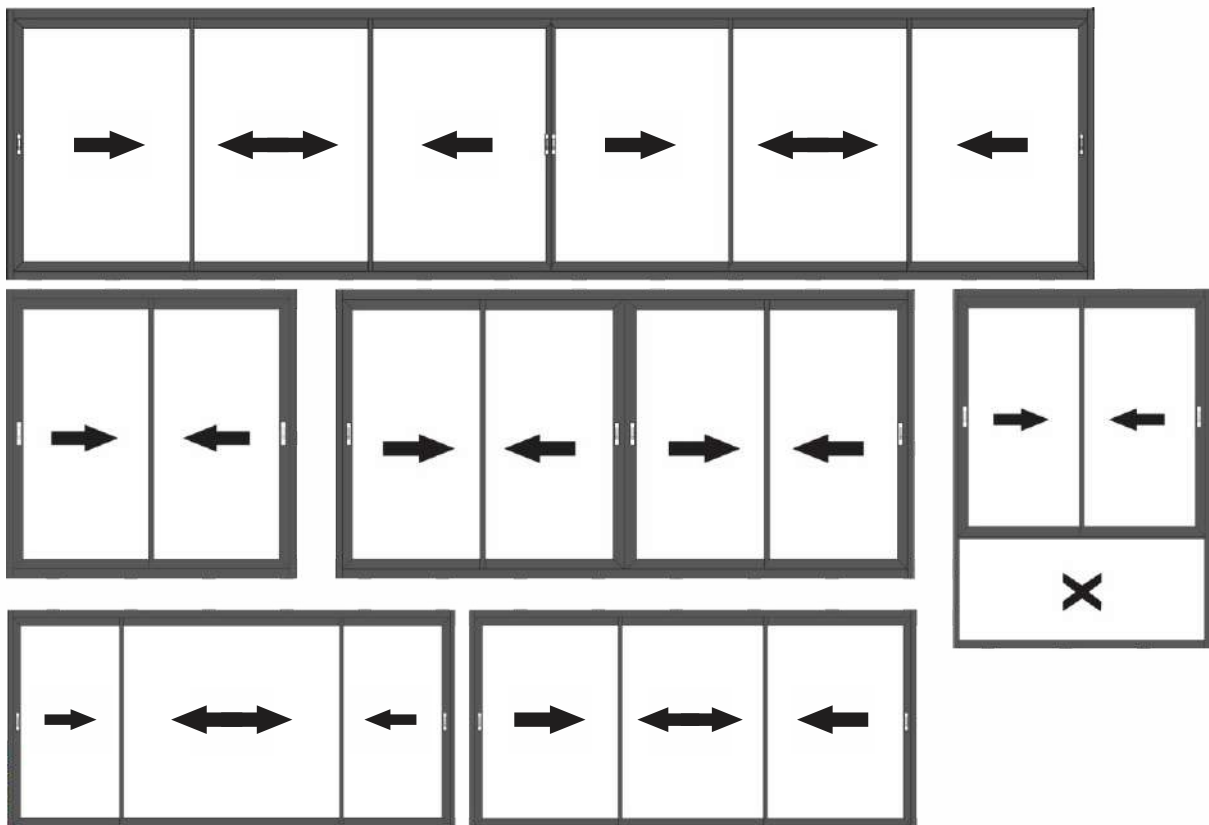
## SYSTEM INFORMATION

Architects and designers are always looking for ways to create the slim framed windows possible. Hybrid Slim Series gives a much more modern look because the sightlines of these sliding windows are much slimmer, which means more of your window will be glass. This Series is virtually maintenance-free and makes it extremely reliable and smooth to operate.

## SYSTEM TECHNICAL SPECIFICATION

Profile Alloy	6063
Max. Glass Thickness (mm)	5-22mm
Max. Shutter Height(mm)	2400
Max. Shutter Width (mm)	1500
Multi Point Locking	✓
Single Point Locking	✓
Track Available	2 Track
	2 Track + Fix
	3 Track
Mosquito Mesh Solution	✓

## TYOLOGIES POSSIBLE IN HYBRID SLIM SERIES (32MM)



# MONORAIL SLIDING SERIES



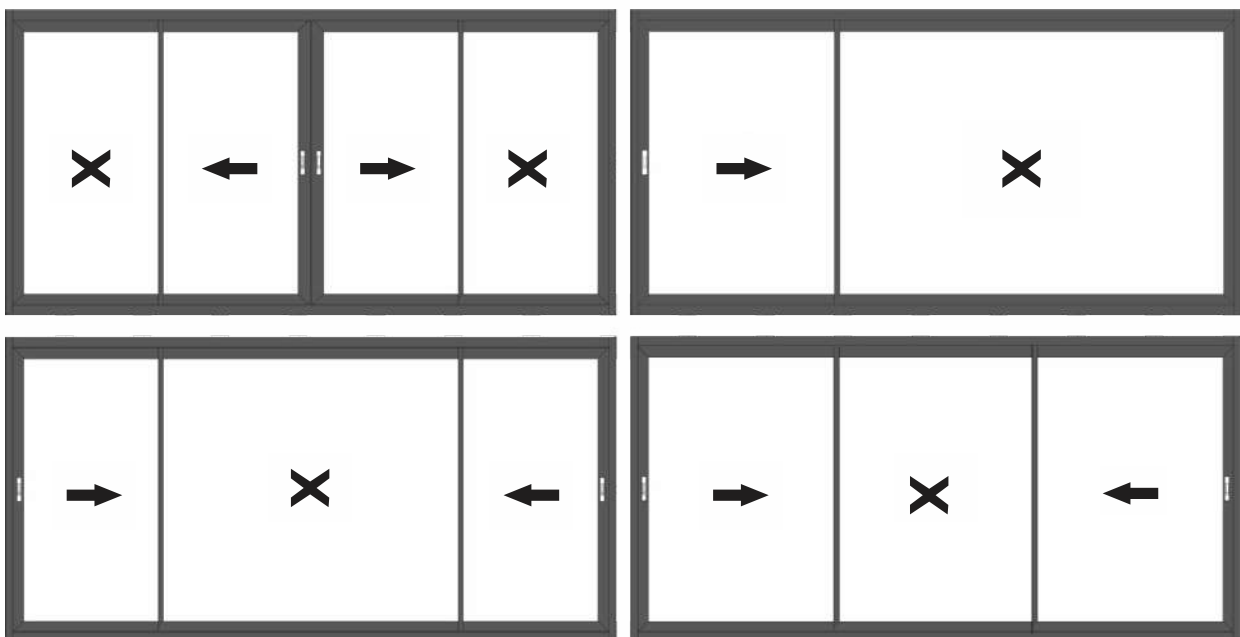
## SYSTEM INFORMATION

Monorail Sliding Windows are a trusted and energy-efficient economical window choice with one side fixed and the other sliding. They ensure light-flooded rooms. These systems have been designed to meet the special requirements of the Mediterranean and locations with similar climatic conditions. Suitable in places which require a single sliding sash.

## SYSTEM TECHNICAL SPECIFICATION

Profile Alloy	6063
Max. Glass Thickness (mm)	5-22mm
Max. Shutter Height(mm)	2400
Max. Shutter Width (mm)	1500
Multi Point Locking	✓
Single Point Locking	✓
Mosquito Mesh Solution	✓
Frames Available	1 Track

## TYOLOGIES POSSIBLE IN MONORAIL(32MM) SERIES





## 20MM SLIDING SERIES



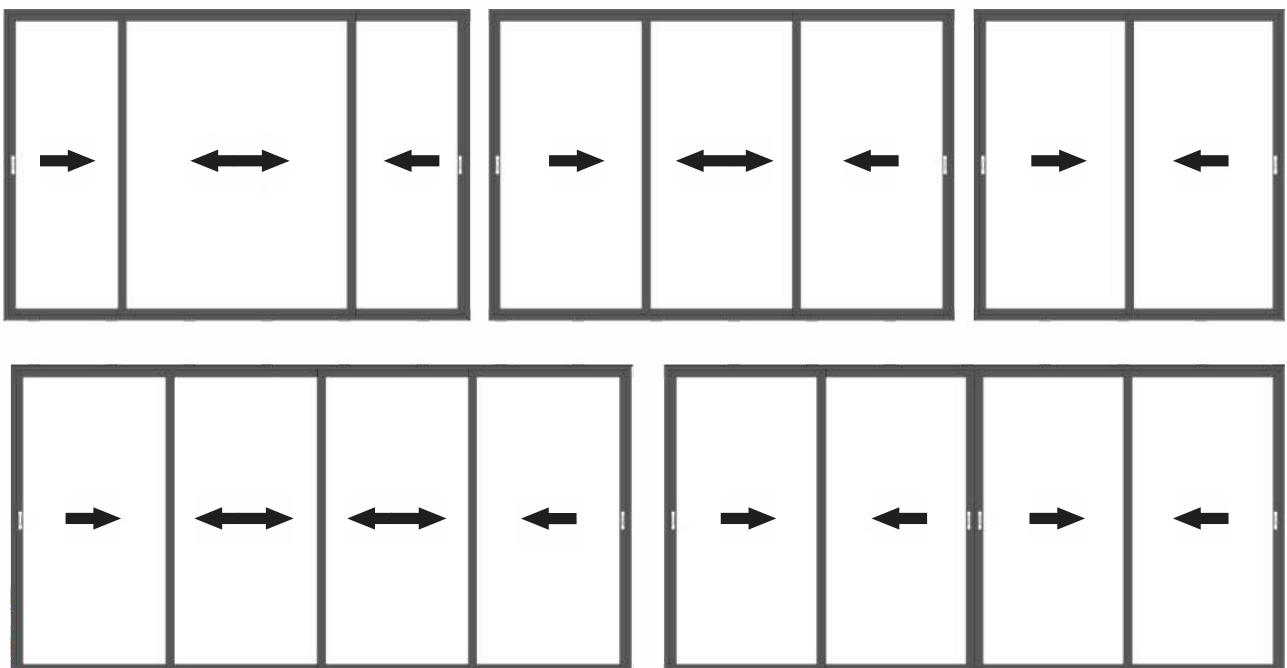
### SYSTEM INFORMATION

An economical series which is designed with high levels of insulation and weather resistance this 20mm series of aluminium slim framed sliding door which is upgraded version of old and classic series offers a modern indoor-outdoor living aesthetic to properties.

### SYSTEM TECHNICAL SPECIFICATION

Profile Alloy	6063
Max. Glass Thickness (mm)	6mm
Max. Shutter Height(mm)	1800
Max. Shutter Width (mm)	900
Multi Point Locking	×
Single Point Locking	✓
Frames Available	2 Track
	3 Track
	4 Track

### TYPES POSSIBLE IN 20MM SLIDING SERIES



## 26MM SLIDING SERIES



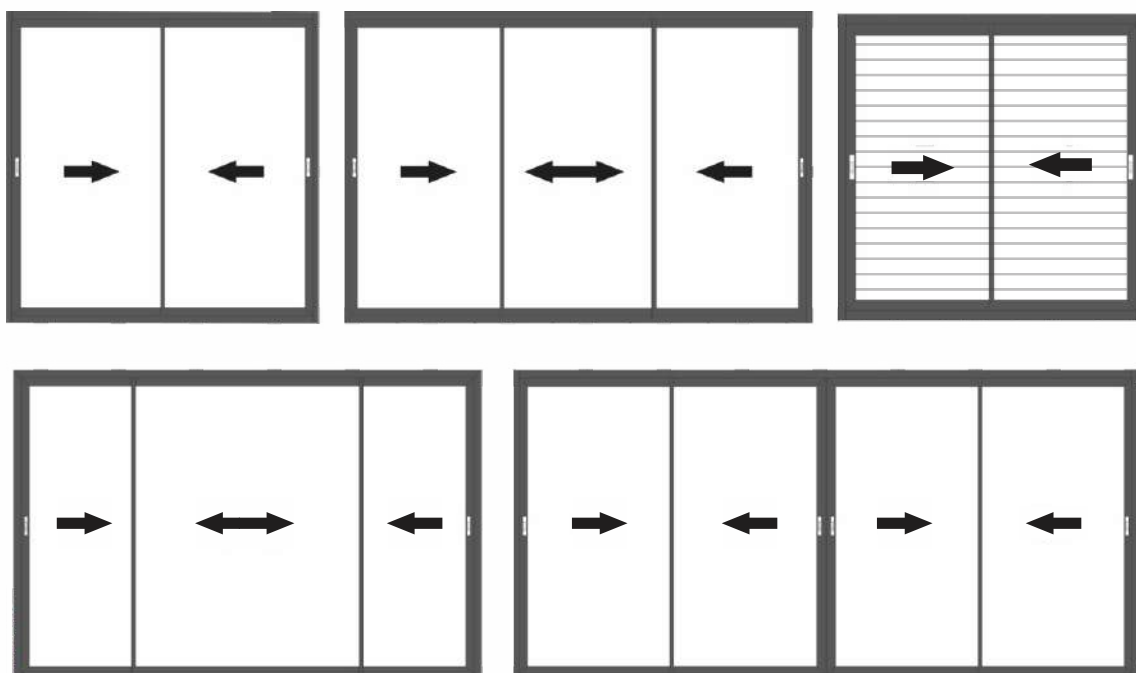
### SYSTEM INFORMATION

A Mid-Range series is an incredibly minimalistic aluminium sliding door, designed especially with the classic safety grills perfect for Indian Market. This regular sliding series offering that blend which can be fit for commercial and Mid-Sized projects.

### SYSTEM TECHNICAL SPECIFICATION

Profile Alloy	6063
Max. Glass Thickness (mm)	5-18mm
Max. Shutter Height(mm)	2100
Max. Shutter Width (mm)	1200
Multi Point Locking	✓
Single Point Locking	✓
Frames Available	2 & 3 Track 2 Track With Grill 3 Track With Grill 2 & 3 Track (Eurogrove)
Mosquito Mesh Solution	✓

### TYPES POSSIBLE IN 26MM SLIDING SERIES



## 32MM SLIDING SERIES



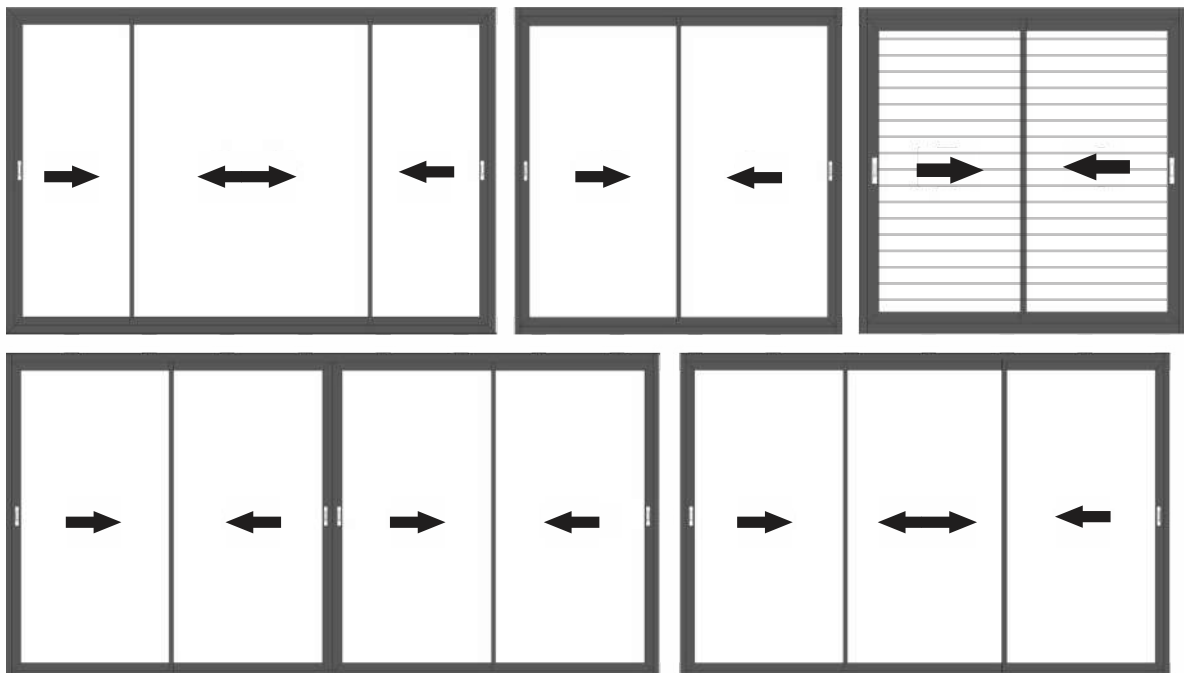
### SYSTEM INFORMATION

Sleek styling, advanced technology, reliable and lavish. 32mm series is a new desirability. This series is more technically sound with features like add on track, slim interlock sections, heavy bearings and non-visible locking systems.

### SYSTEM TECHNICAL SPECIFICATION

Profile Alloy	6063
Max. Glass Thickness (mm)	5-18mm
Max. Shutter Height(mm)	2400
Max. Shutter Width (mm)	1500
Multi Point Locking	✓
Single Point Locking	✓
Frames Available	2 Track 2 Track With Grill 3 Track
Mosquito Mesh Solution	✓

### TYOLOGIES POSSIBLE IN 32MM SLIDING SERIES





# 35MM SLIDING SERIES



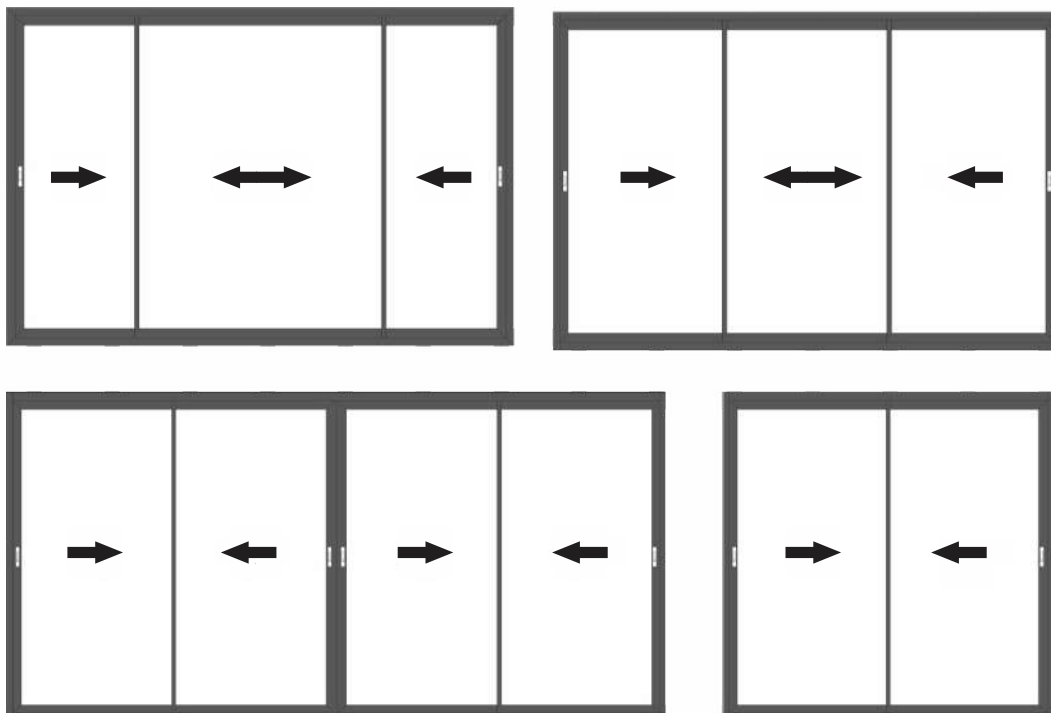
## SYSTEM INFORMATION

Bespoke panels of 35mm Series allows to design the space of your vision and lifestyle. This series offers better strength as it is stronger and heavier compare to previously mentioned series and it's suitable for large windows. 35mm Series is perfect harmony with modern architectural styles and score high on functionality.

## SYSTEM TECHNICAL SPECIFICATION

Profile Alloy	6063
Max. Glass Thickness (mm)	5-22mm
Max. Shutter Height(mm)	3600
Max. Shutter Width (mm)	1800
Multi Point Locking	✓
Single Point Locking	✓
Frames Available	2 Track 3 Track 2 & 3 Track (Eurogrove)

## TYOLOGIES POSSIBLE IN 35MM SLIDING SERIES



## 40MM CASEMENT SERIES



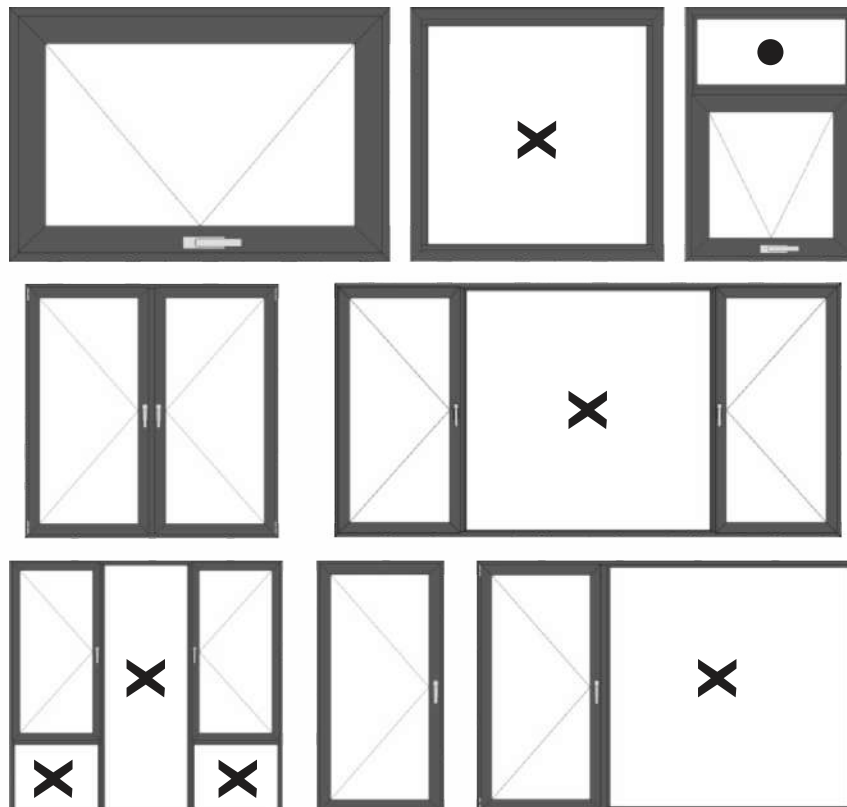
### SYSTEM INFORMATION

This casement window series offers 3 in 1 feature which makes it most appropriate. This 40mm series provides casement window along with safety grill and most importantly mosquito mesh solution which make this product a most desirable.

### SYSTEM TECHNICAL SPECIFICATION

Profile Alloy	6063
Max. Glass Thickness (mm)	5-18mm
Max. Shutter Height(mm)	2100
Max. Shutter Width (mm)	600
Multi Point Locking	✓
Single Point Locking	✓
Frames Available With Grill	✓
Mosquito Mesh Solution	✓

### TYPES POSSIBLE IN 40MM SLIDING SERIES



# 45MM CASEMENT SERIES



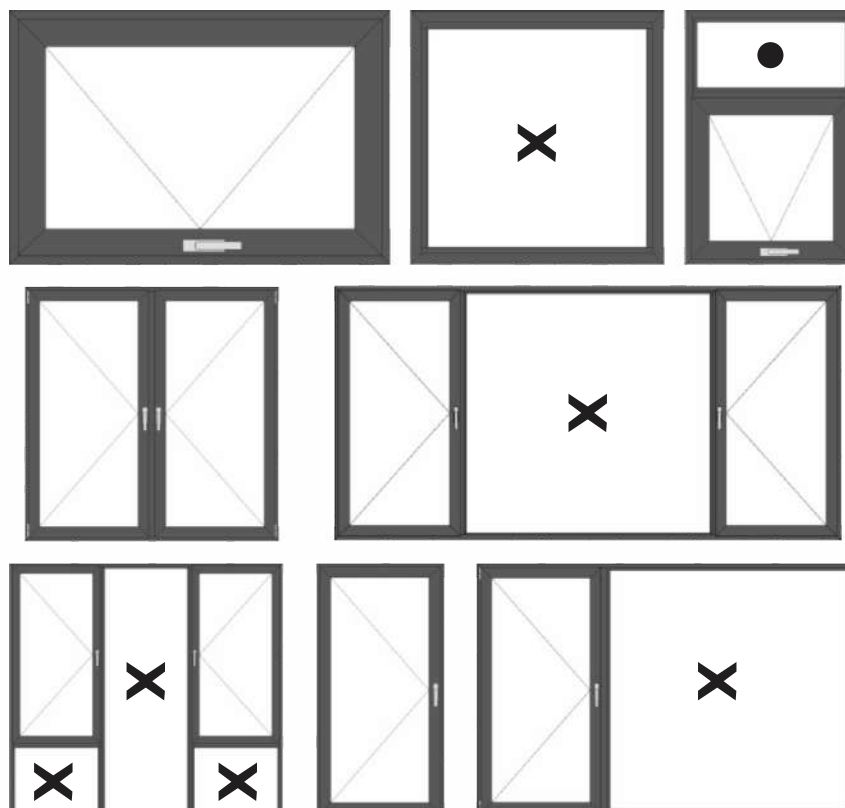
## SYSTEM INFORMATION

This casement window series is scenic offering the maximum unobstructed view of outside with enhanced look as well as it also covers features like safety grill and mosquito mesh solution. This series is perfect for superior outdoor view and necessary conveniences.

## SYSTEM TECHNICAL SPECIFICATION

Profile Alloy	6063
Max. Glass Thickness (mm)	5-20mm
Max. Shutter Height(mm)	2400
Max. Shutter Width (mm)	600
Multi Point Locking	✓
Single Point Locking	✓
Frames Available With Grill	✓
Mosquito Mesh Solution	✓

## TYOLOGIES POSSIBLE IN 45MM CASEMENT SERIES





## 50MM CASEMENT SERIES



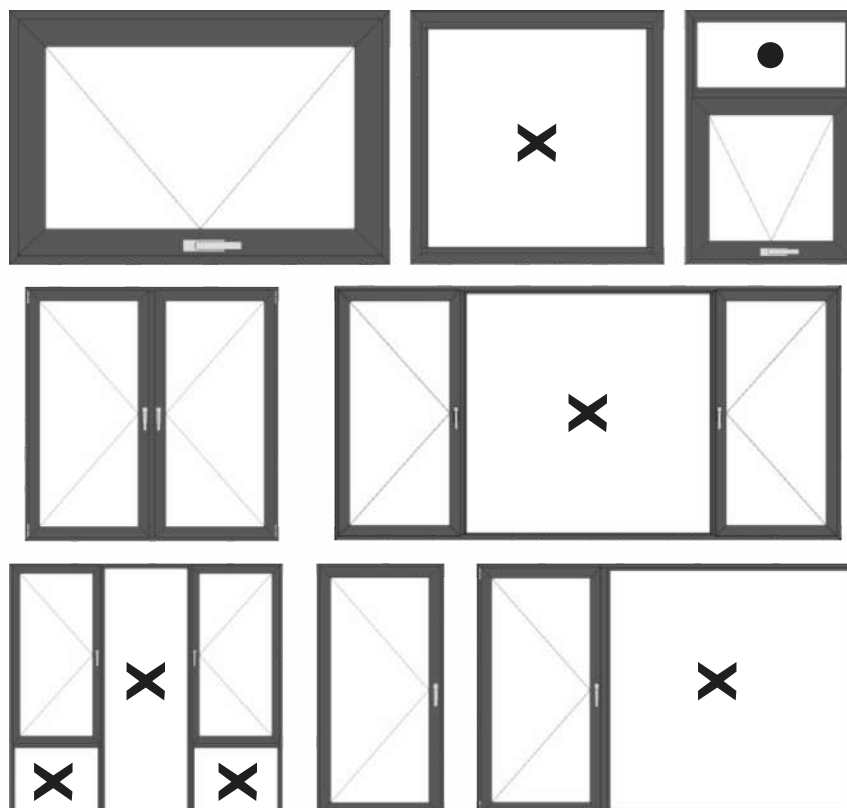
### SYSTEM INFORMATION

50mm casement series come with natural and schematic elegance and are sought for its design aesthetics. The structure of profiles is an assurance of a life-long functional performance. It suits both traditional and contemporary style homes. Its sealing capacity makes it an extremely energy efficient window, minimising the amount of air able to seep through when the window is closed.

### SYSTEM TECHNICAL SPECIFICATION

Profile Alloy	6063
Max. Glass Thickness (mm)	5-30mm
Max. Shutter Height(mm)	3000
Max. Shutter Width (mm)	1200
Multi Point Locking	✓
Single Point Locking	✓
Frames Available With Grill	✗

### TYPES POSSIBLE IN 50MM SLIDING SERIES



## 65MM CASEMENT SERIES



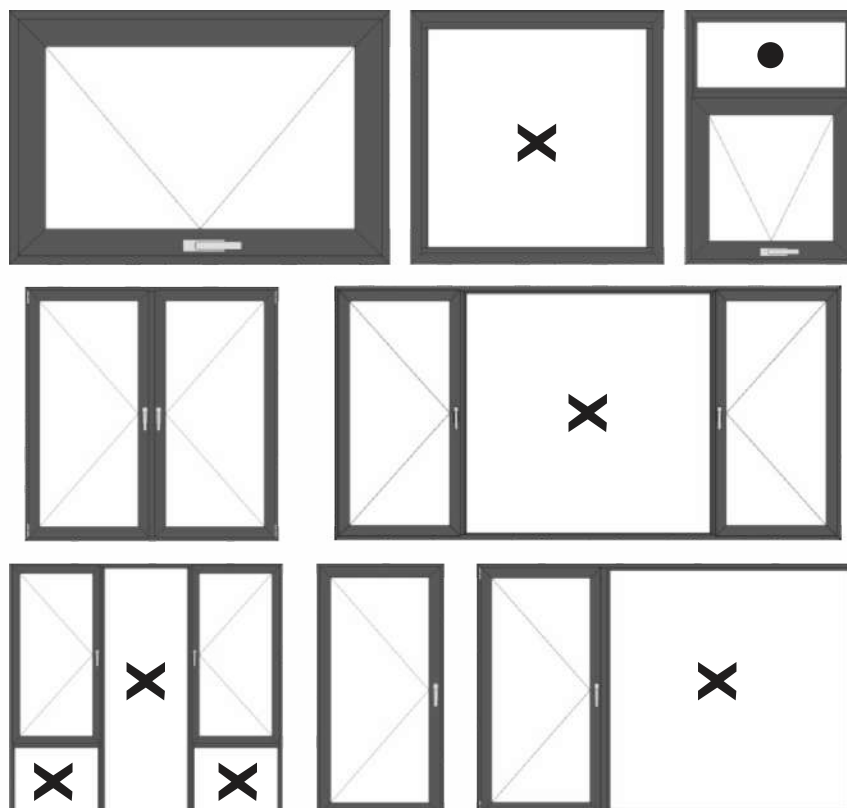
### SYSTEM INFORMATION

This 65mm series of casement window is sturdier and superior; it can hold up to 36m of DGU Glass. It also gives an aesthetic appeal to premises and also maximizing natural light inside. That may help in better ventilation and energy save.

### SYSTEM TECHNICAL SPECIFICATION

Profile Alloy	6063
Max. Glass Thickness (mm)	5-36mm Integrated Blinds
Max. Shutter Height(mm)	2400
Max. Shutter Width (mm)	900
Multi Point Locking	✓
Single Point Locking	✓
Frames Available With Grill	✗

### TYPLOGIES POSSIBLE IN 65MM CASEMET SERIES



## DOOR SERIES



### SYSTEM INFORMATION

Casement door are an excellent choice for all who are concerned with noise and security. Strong suit of this series is that it has stronger Clamping systems and hinges which give this series an edge and also enables it to maximize door opening width and height without deforming its shape from weight.

#### 25MM DOOR SYSTEM TECHNICAL SPECIFICATION

Profile Alloy	6063
Max. Glass Thickness (mm)	5-8 mm Aluminium Panel-10mm
Height	2400mm
Width	900mm
Single Point Locking	Mortize locking System

#### 50MM DOOR SYSTEM TECHNICAL SPECIFICATION

Profile Alloy	6063
Max. Glass Thickness (mm)	5-36 mm Aluminium Panel-10mm
Height	3000mm
Width	1000mm
Single Point Locking	Mortize locking System

#### 50MM EURO DOOR SYSTEM TECHNICAL SPECIFICATION

Profile Alloy	6063
Max. Glass Thickness (mm)	5-24 mm
Height	3000mm
Width	1200mm
Multi Point Locking	Mortize locking System
Available option	Single Door Double Door

#### 65MM DOOR SYSTEM TECHNICAL SPECIFICATION

Profile Alloy	6063
Max. Glass Thickness (mm)	5-36 mm
Height	3000mm
Width	1000mm
Single Point Locking	Mortize locking System
Available option	Single Door Double Door



# PARTITION SYSTEM



## Synchronize Partition System & Telescopic Partition System

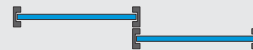
### Features:

- Two way soft close & one way soft close
- Aluminium Profile suitable for 8mm glass
- Available with lock option I key lock option
- Can use Stick on grid or Integrated grid for enhancing the design

#### Synchronize 2+2



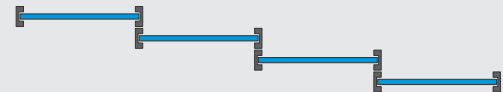
#### Telescopic 1+1



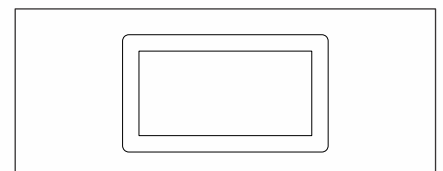
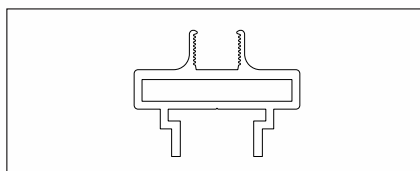
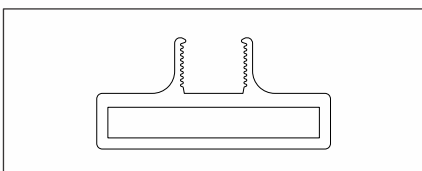
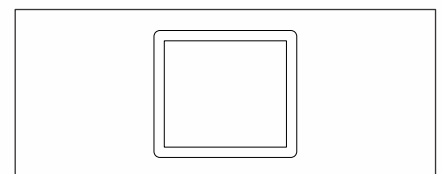
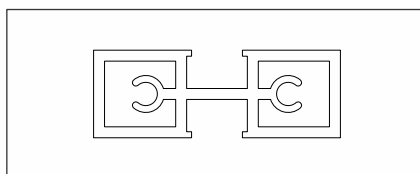
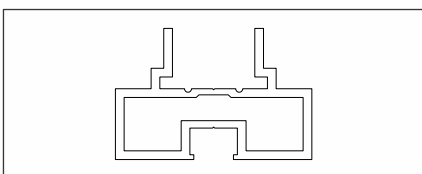
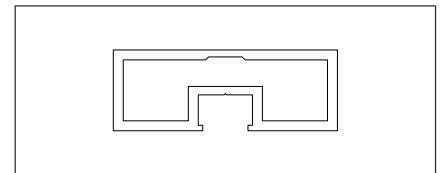
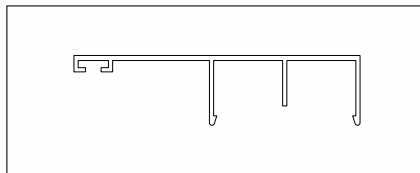
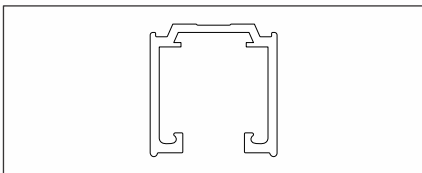
#### Telescopic 2+1



#### Telescopic 3+1



## PROFILES



# PARTITION SYSTEM



## Total Frame Size

45x20

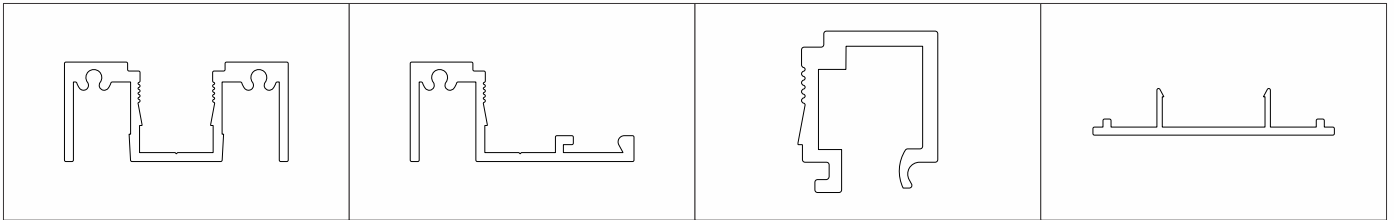
## Glazing options

Single glazed 8mm/10mm/12mm

## Door options

Pivot Door

Stick on Grid option & Integrated Grid available



## Total Frame Size

45x25

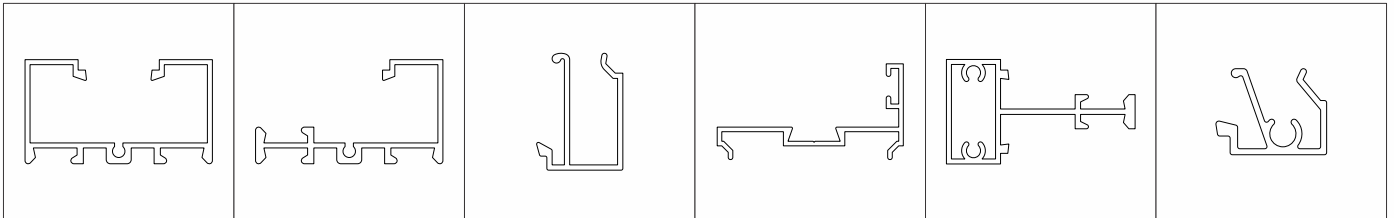
## Glazing options

Single glazed 8mm/10mm/12mm

## Door options

Pivot Door

Stick on Grid option & Integrated Grid available



## Total Frame Size

25X60MM

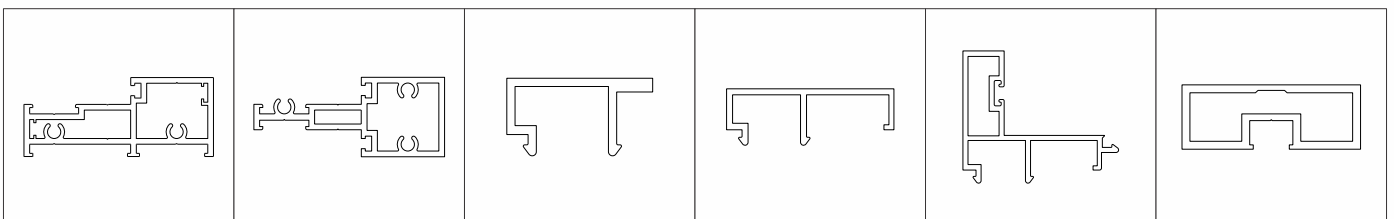
## Glazing options

Single glazed 6mm/8mm/10mm/12mm

## Door options

Hinged and Pivot Door

Stick on Grid option & Integrated Grid available



# CURTAIN WALL SYSTEM



**Total Frame Size**

50x40

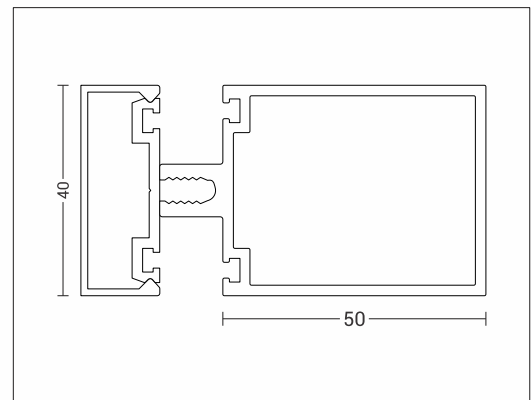
**Glazing options**

Single Glazed 12mm Glass

Profile Alloy : 6063

Flexible for Large size Glasses

It can be used as External Partition



**Total Frame Size**

40x40

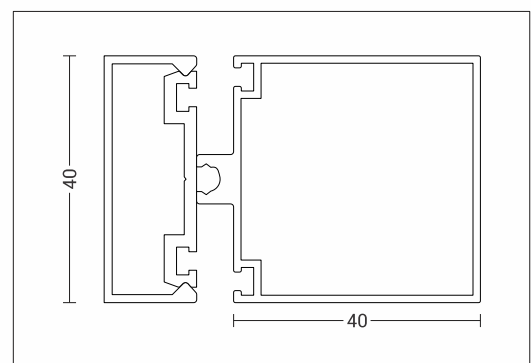
**Glazing options**

Single glazed 6mm Glass

Profile Alloy : 6063

Flexible for Small size Glasses

It can be used as Internal/External Partition





# CURTAIN WALL SYSTEM



## Total Frame Size

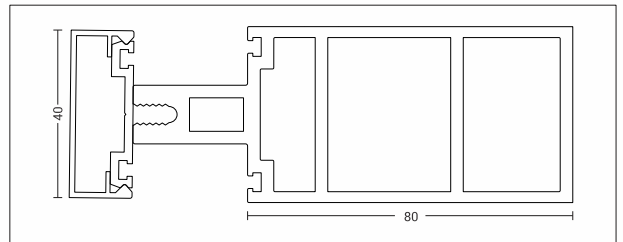
80X40

## Glazing options

Double Glazed 24mm Glass

Profile Alloy : 6063

Flexible For Large Size Glasses



## Total Frame Size

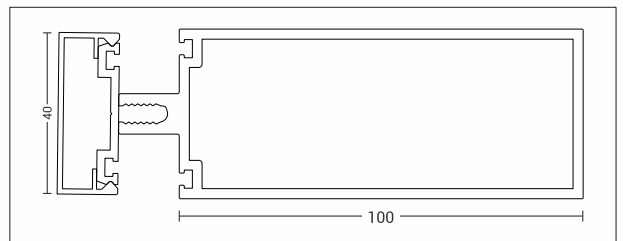
100X40

## Glazing Options

Double Glazed 12mm Glass

Profile Alloy : 6063

Flexible For Large Size Glasses



## Total Frame Size

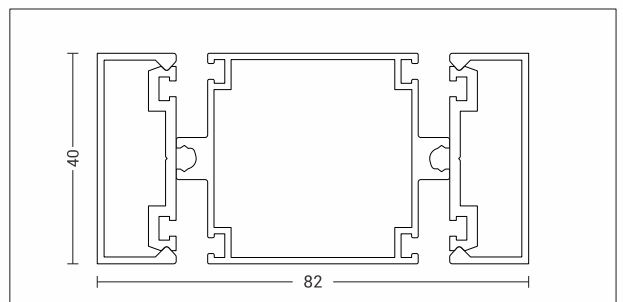
82x40

## Glazing Options

Double Glazed 6mm Glass

Profile Alloy : 6063

Mortise Blinds Available





# WALL CLADDING

- Aluminium cladding panels are a very versatile & most effective for high quality aesthetic interior & exterior it replaces old wood paneling

## IT CAN BE USED IN

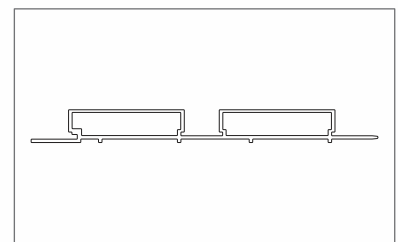
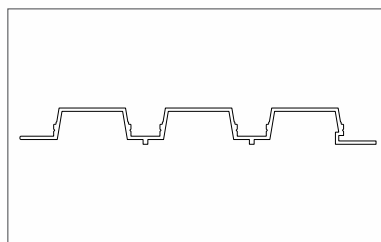
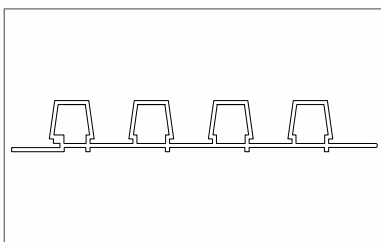


## Finishes available

Wooden Coated

Powder Coated

## Design Available



**SS-357**

**Size** : 128x18

**Grooved** : 4

**SS-401**

**Size** : 150x15

**Grooved** : 3  
With Inbuilt profile  
lightning option

**SS-365**

**Size** : 148x14

**Grooved** : 2

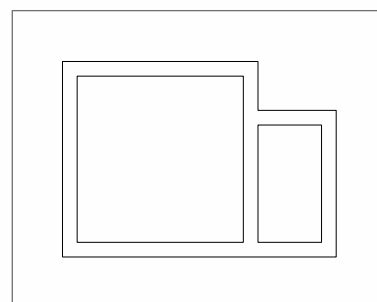
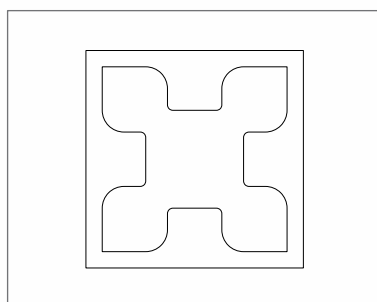
## MODULAR SHELVING SYSTEM



### SYSTEM INFORMATION

Modular Shelving System can be fixed to the wall or to the ceiling. It can be equipped with shelves in glass, wood veneer or lacquered, as well as customisable cabinets with big drawers, drop down doors, vasistas doors and open compartments. It is extremely versatile as its layout can fit any type of need and environment, it works great also as a divider bookcase in the middle of the room for big modern lofts or open spaces. The great versatility of this shelving system means you can organize and optimize space in any room.

### PROFILES



## RAILING SYSTEM



Silvercoin is focused and committed to manufacturing the most robust railing systems in the market. Our product range is demanded in the market for their salient features like sturdy construction, attractive designs and durability. We are known for our supreme quality, versatility and extravagant look.

With the prime focus on customer satisfaction, we strive hard to surpass client expectations with sound technical and management services. We seek to blend innovation and technology to create a secured home space.

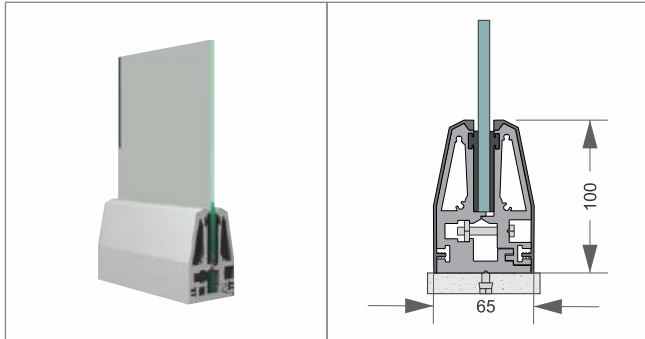
The expertise & industrial exposure of our team facilitates accurate and flawless production. We are committed to give superior products with admirable designs and precision.

- 
- FEATURES:**
- Ease to install
  - Finest Quality
  - Aesthetic Designs
  - Competitively priced
  - Hi-Grade Raw Materials

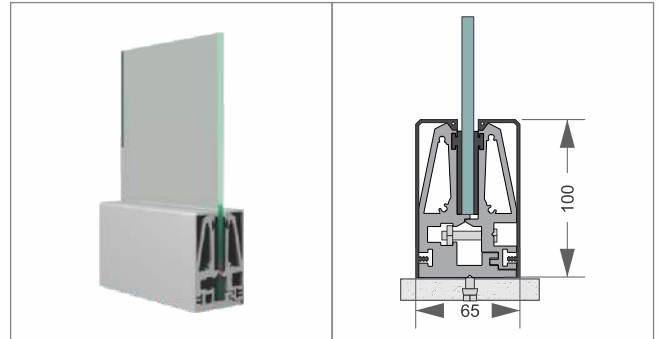
- 
- WHY US?**
- Timely delivery and Installation
  - Complete interior solution
  - Quality-oriented approach
  - Talented workforce

# RAILING SYSTEM

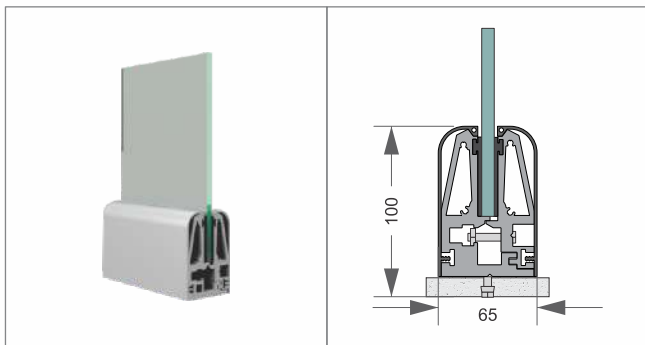
**SS-155**



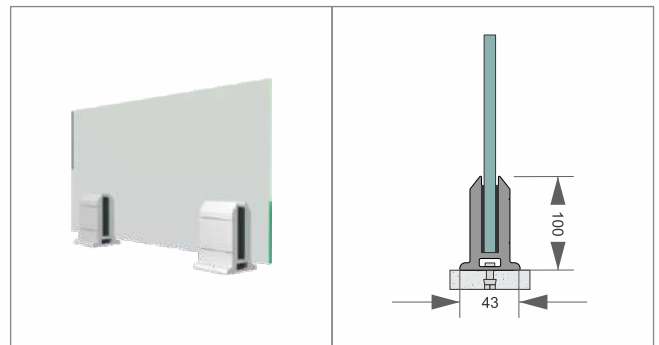
**SS-178**



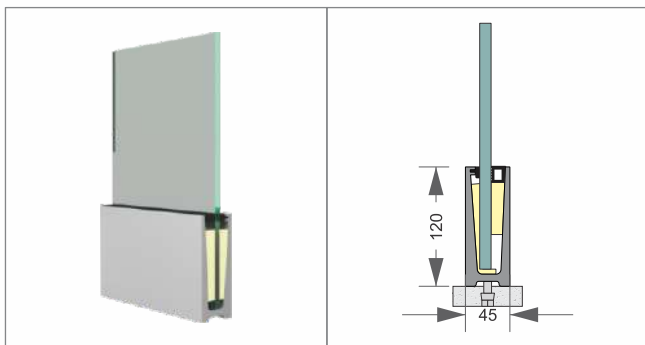
**SS-180**



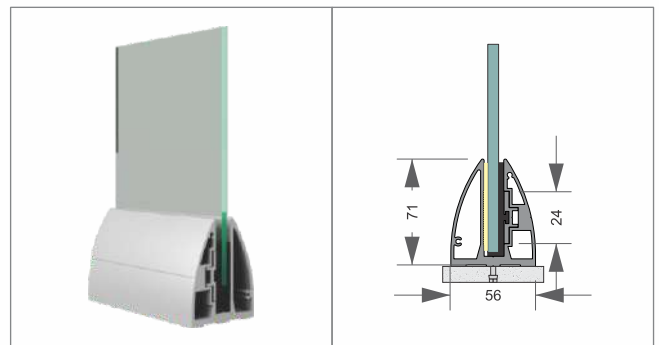
**SS-213**



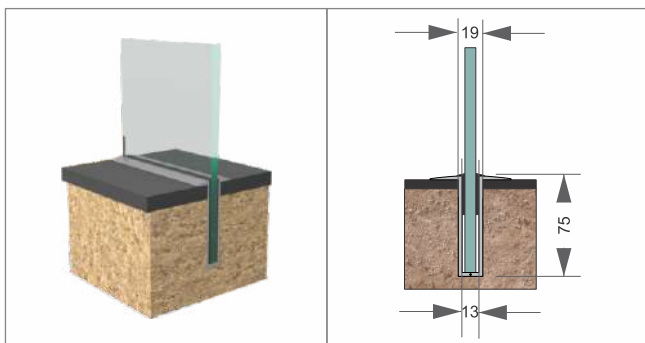
**SS-247**



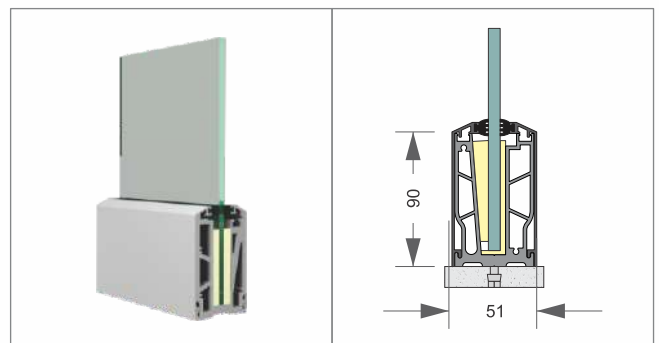
**SS-266**



**SS-280**

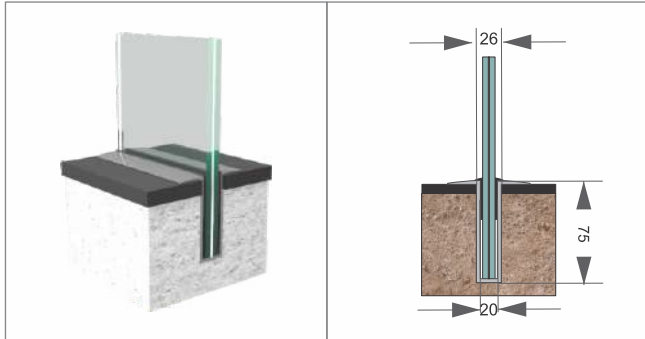


**SS-294**

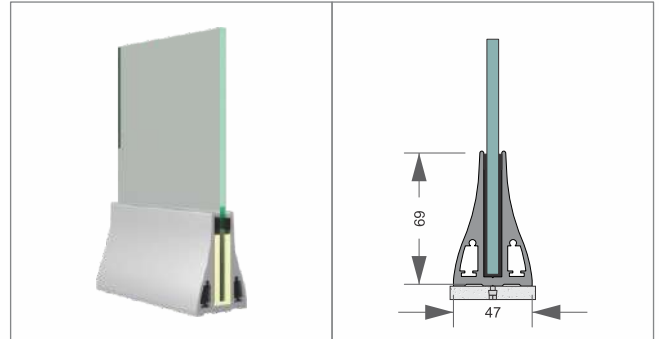




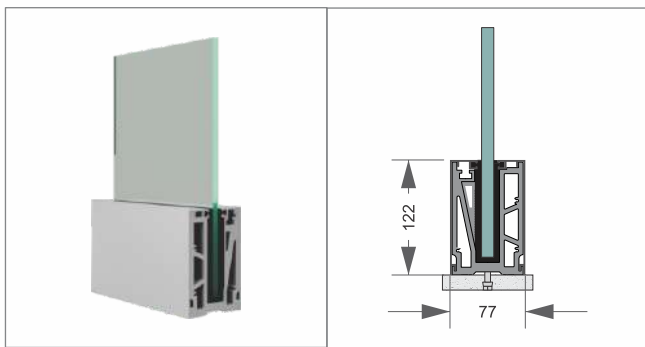
**SS-298**



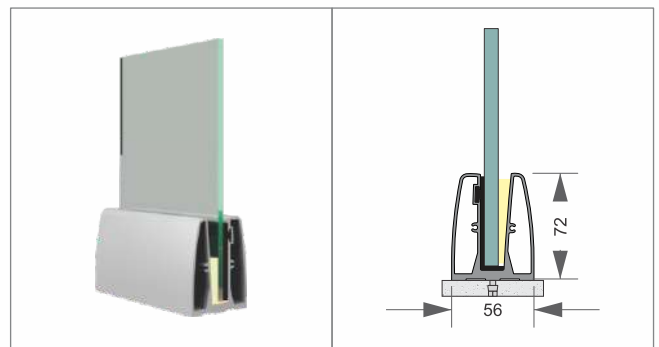
**SS-302**



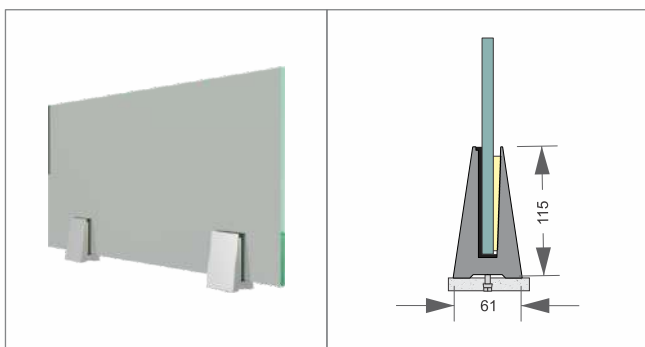
**SS-363**



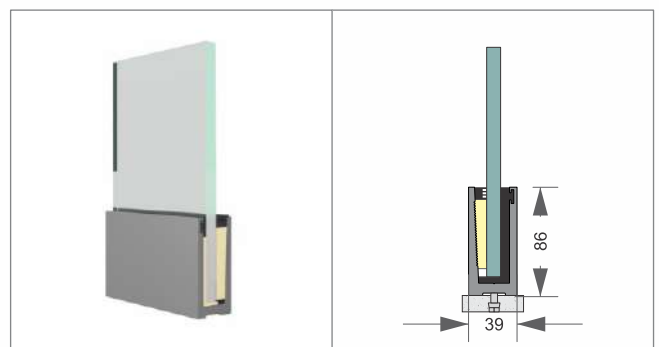
**SS-377**



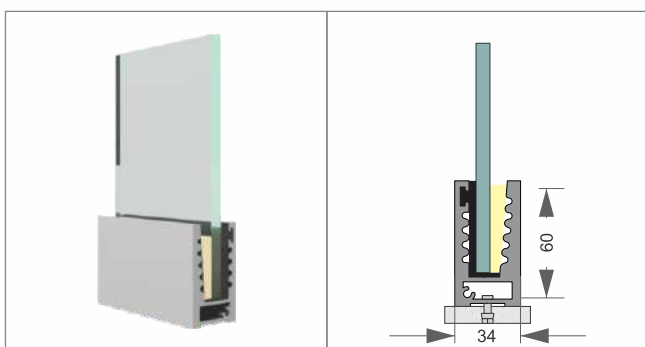
**SS-392**



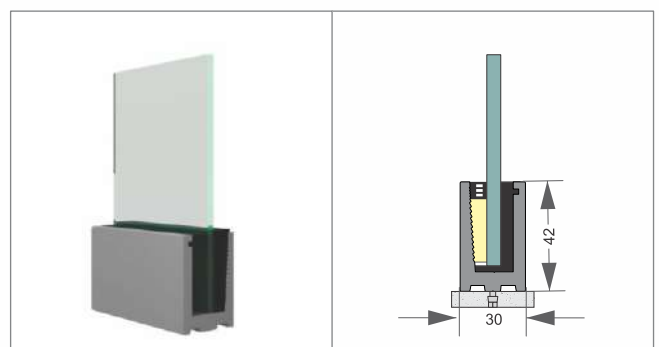
**SS-407**



**SS-418**

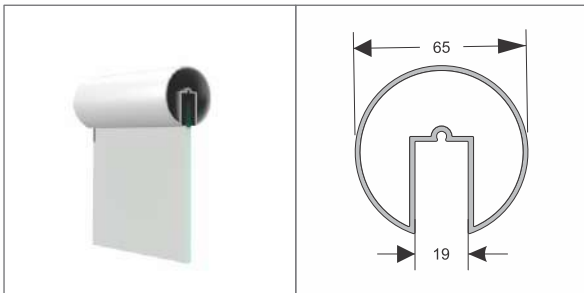


**SS-419**

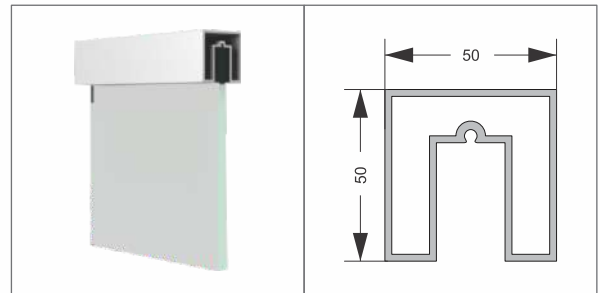


# RAILING SYSTEM

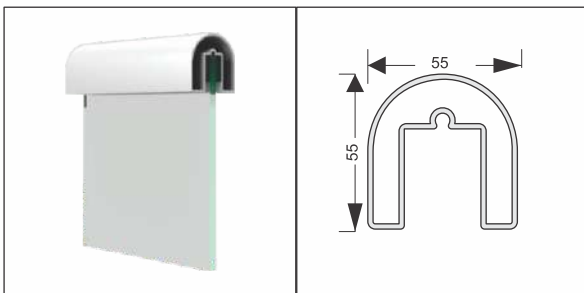
**SS-154**



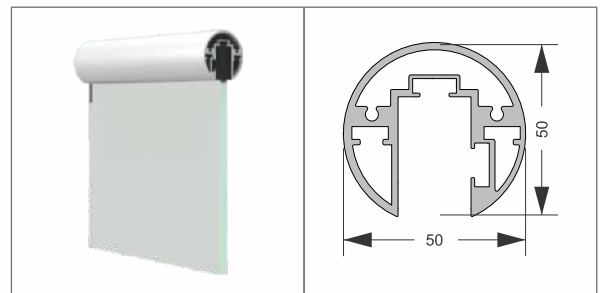
**SS-177**



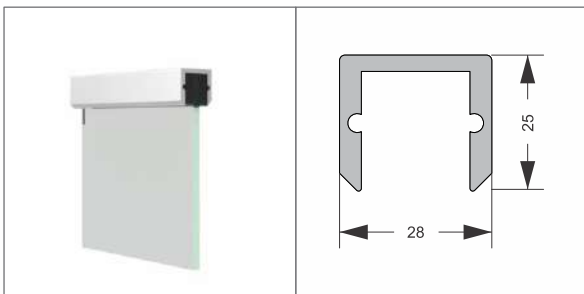
**SS-179**



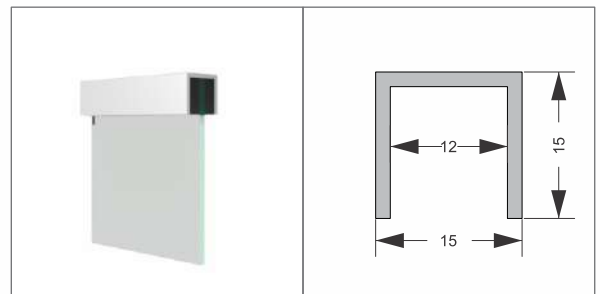
**SS-183**



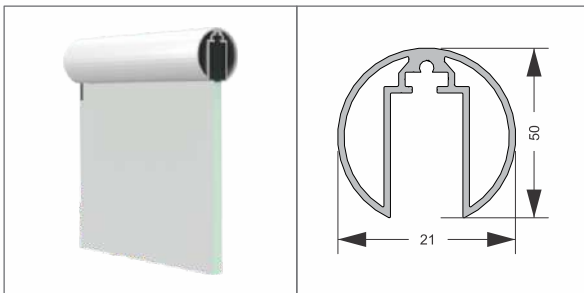
**SS-184**



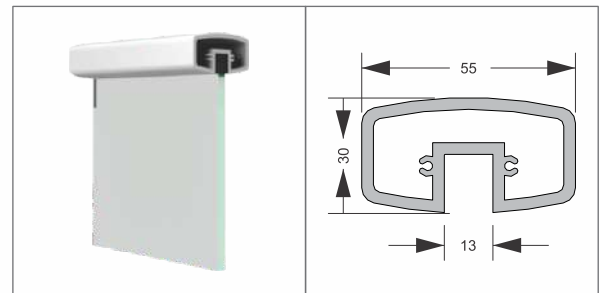
**SS-189**



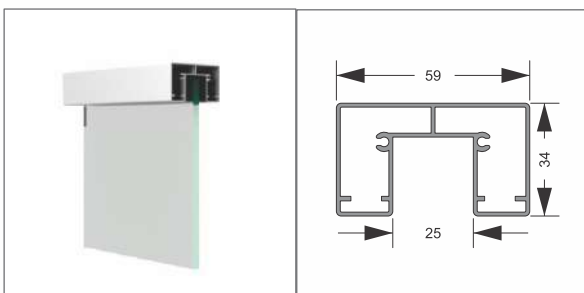
**SS-205**



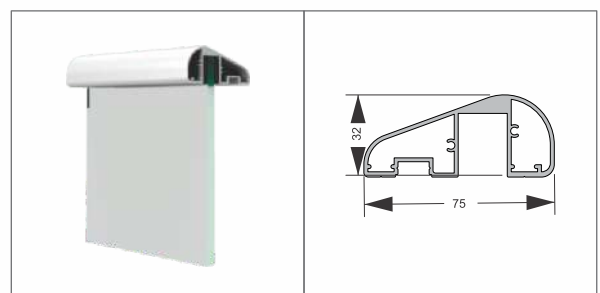
**SS-236**



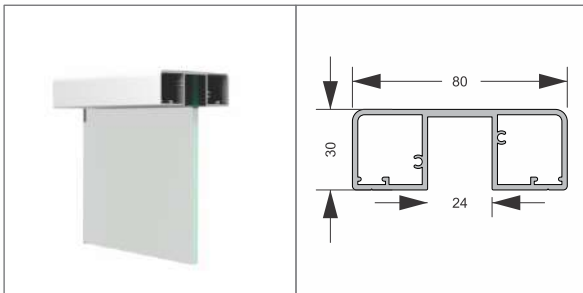
**SS-286**



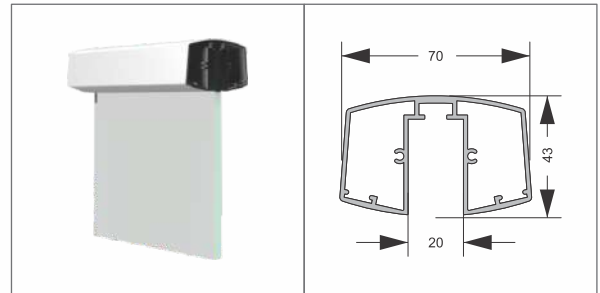
**SS-295**



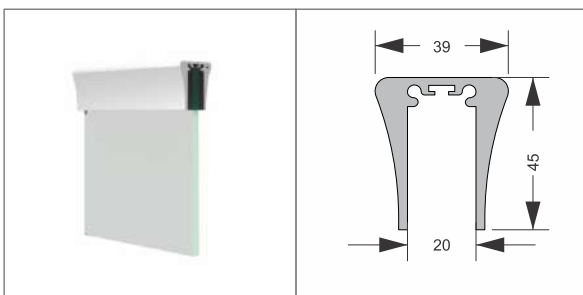
**SS-296**



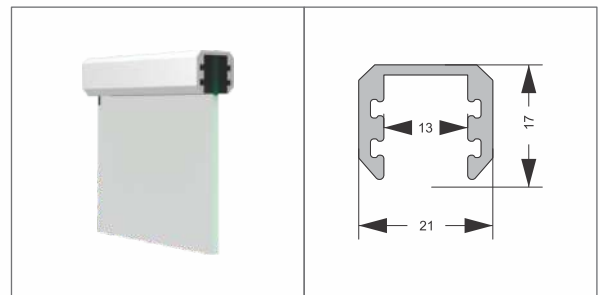
**SS-297**



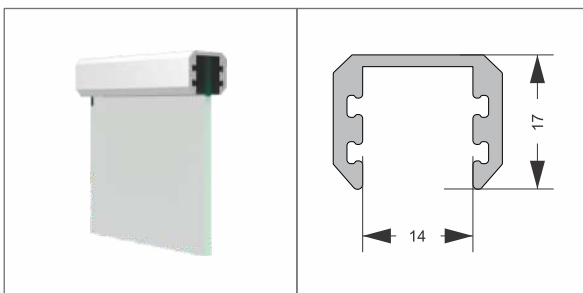
**SS-299**



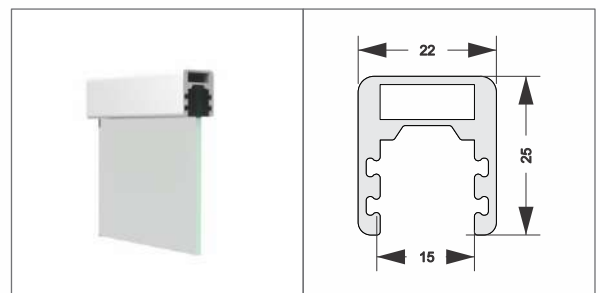
**SS-356**



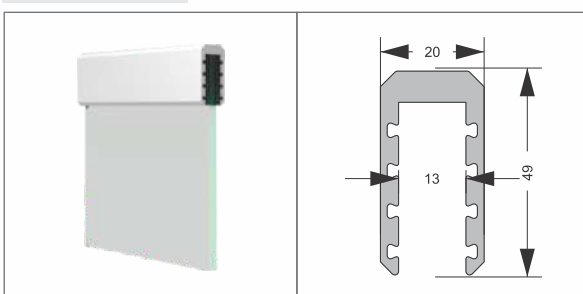
**SS-372**



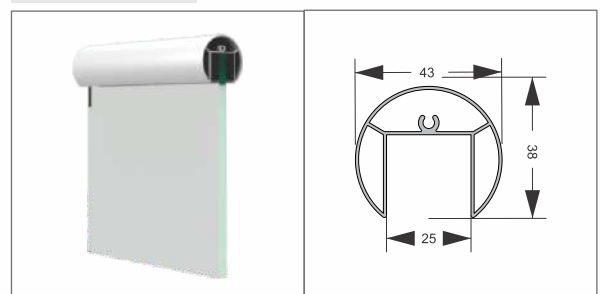
**SS-380**



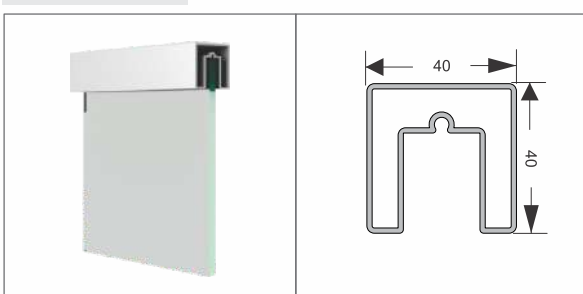
**SS-384**



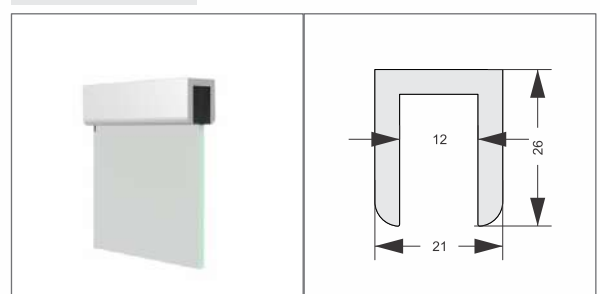
**SS-387**

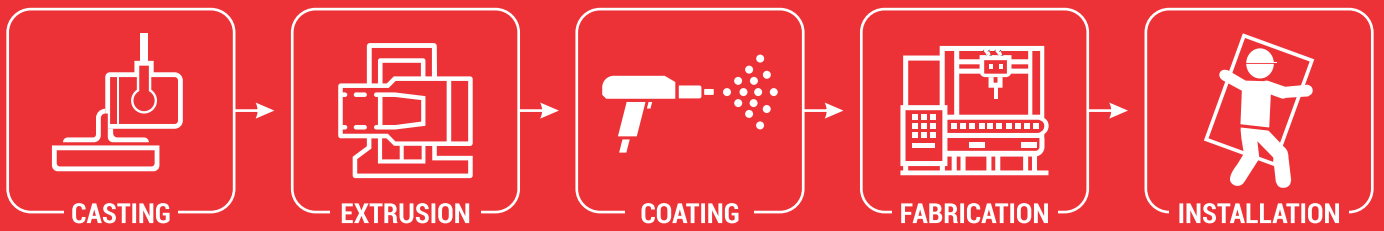


**SS-408**



**HH-644**





AN ISO 9001:2015 COMPANY

**SILVERCOIN EXTRUSION (P) LTD.**

-  C/O H.J. Doshi Hospital Main Road,  
Gondal Road, Rajkot-360004, Gujarat, INDIA.
-  70707 05334, 98796 74918, 98250 74918, 80008 74918
-  [silvercoinextrusion@gmail.com](mailto:silvercoinextrusion@gmail.com)
-  [www.silvercoinextrusion.com](http://www.silvercoinextrusion.com)
-  [silvercoinextrusion](https://www.facebook.com/silvercoinextrusion)
-  [silvercoinextrusion](https://www.instagram.com/silvercoinextrusion)