



*Quality is our*  
**TOP PRIORITY**



**SHREE POLYMERS**

ISO 9001:2015



SHREE POLYMERS



## COMPANY PROFILE

Established in year 2023, SHREE POLYMERS today has become a reliable name in rubber industry. The leading manufacturer, wholesaler and supplier has carved its own niche in the industry by delivering Automotive Extruded EPDM Rubber profile & Beadings, EPDM Gaskets, Parts etc.

## PRODUCT PORTFOLIO EPDM, NATURAL RUBBER



Economically advantageous, PVC is readily accessible and cost-effective. Furthermore, its rigid form excels in both hardness and tensile strength, making it a durable and robust material for diverse uses.

## ARCHITECTURAL PROFILES (UPVC ALUMINIUM DOORS & WINDOW

For compact grip of glass panes within the aluminum and **UPVC Doors & Windows** frames in new age building construction, the sealing profiles keep out dust, wind and water entirely. Long exposure to harsh climatic conditions has no impact on it and remains just as intact.

## AUTOMOBILE PROFILES

Ensure airtight sealing of every nook and cranny of the Automobile (Bus or smaller vehicles) exterior and interior design profile. The EPDM Rubber profiles are very resistant to ambient temperatures, extreme climate conditions and vibrations.



## CLEAR RUBBER / POLYVINYL CHLORIDE (PVC)



Exhibiting notable properties that distinguish it in various applications. With a high density, boasting a specific gravity around 1.4, PVC stands out among plastics.

## CRUSHER RUBBER BEADING (EPDM & Natural)

Widely used in construction and mining industries, crusher rubber beading helps prevent the crusher screens from vibrations and the shocks occurring during operations. With high compatibility and high load-bearing strength, crusher rubber beading also has the potency to withstand extreme temperatures.





## Our Mission

Our mission is to delight our valued customers by consistently providing top-notch products tailored to their requirements and budgets. We uphold a transparent work ethic and are dedicated to establishing a reputable presence in the industry by continually enhancing our quality and performance standards.

**20+**

Industries  
Served

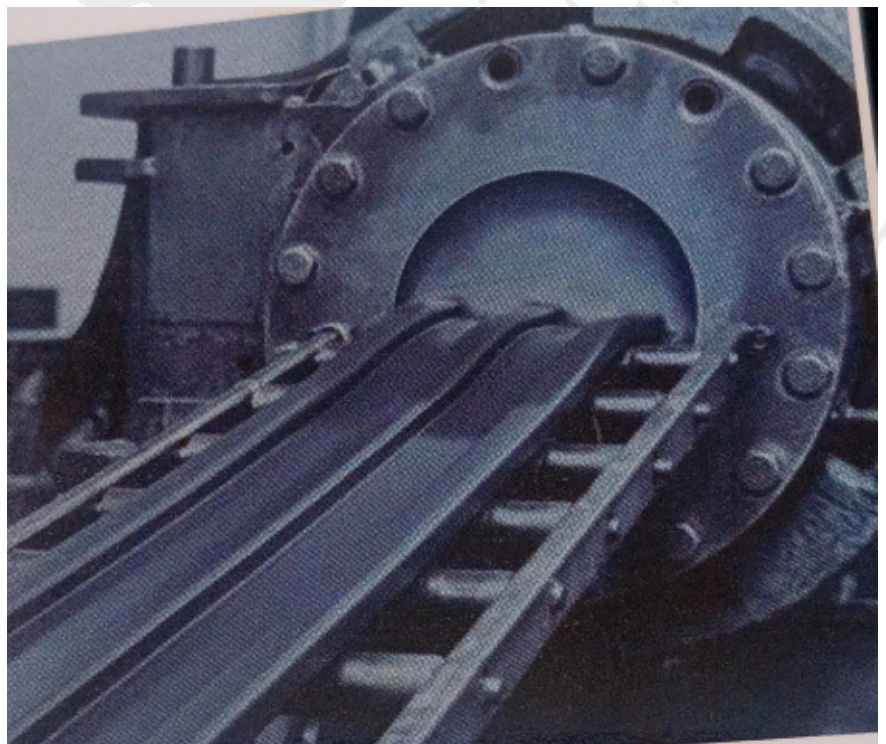
**Pan India  
Presence**

**Global  
Presence**



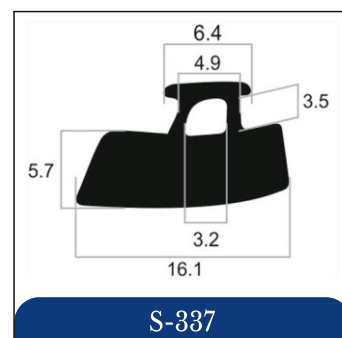
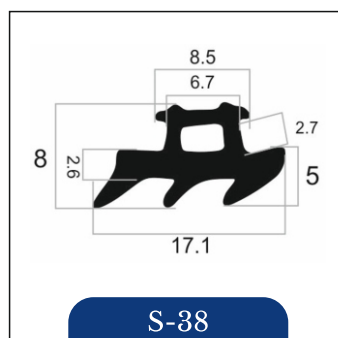
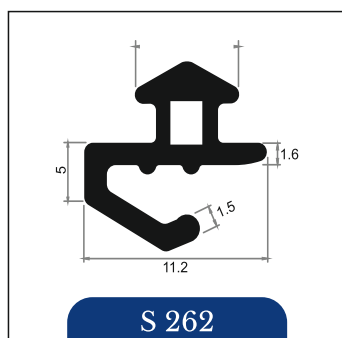
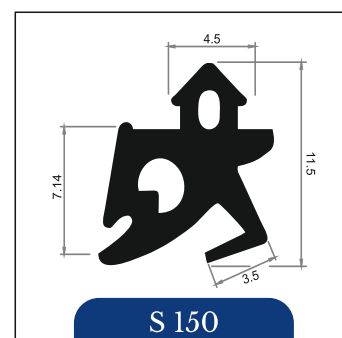
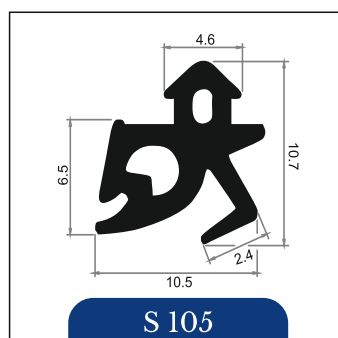
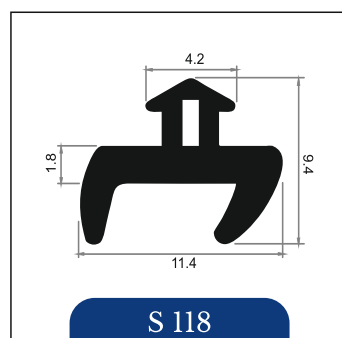
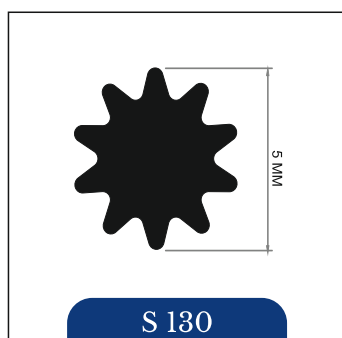
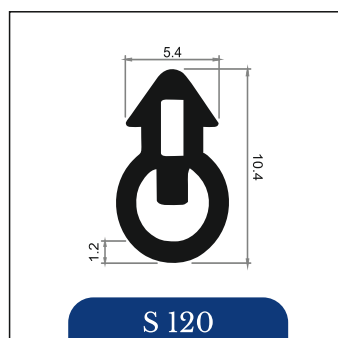
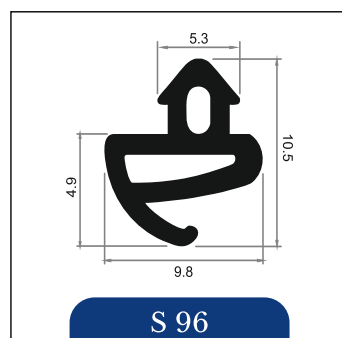
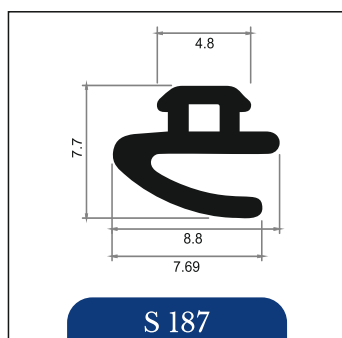
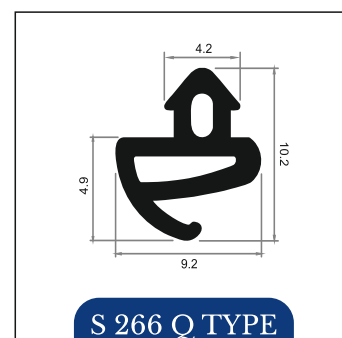
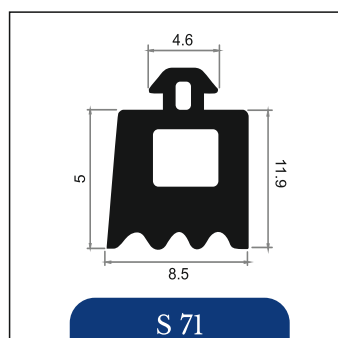
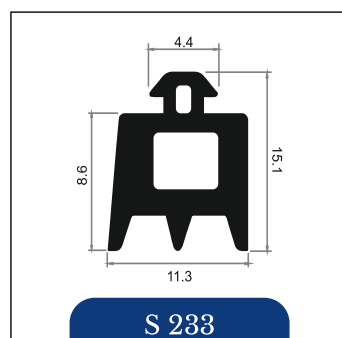
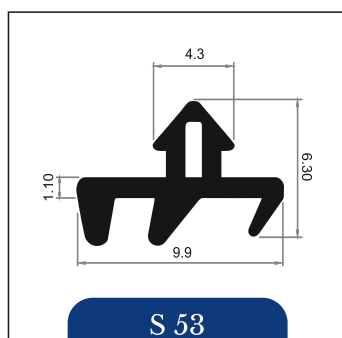
## Our Vision

Our goal is to exceed customer expectations by providing unparalleled value tailored to their needs. We aspire to be a trusted company, renowned for its unwavering customer satisfaction. Through our exceptional product range, we aim to make a lasting impact, fostering a growing community of delighted clients.



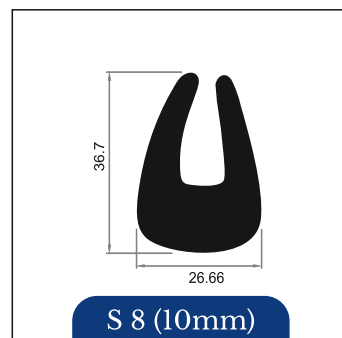
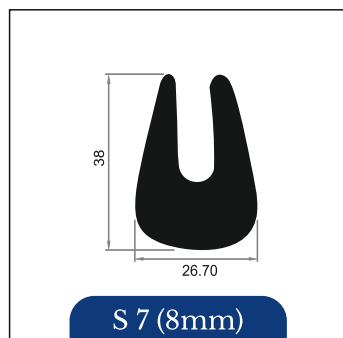
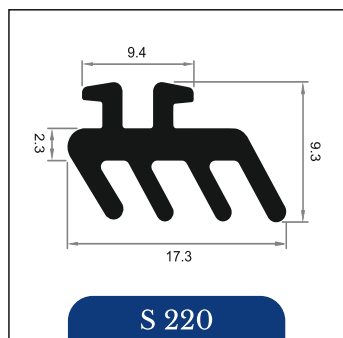
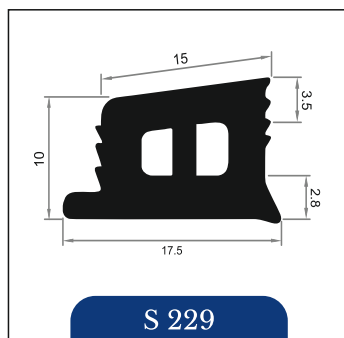
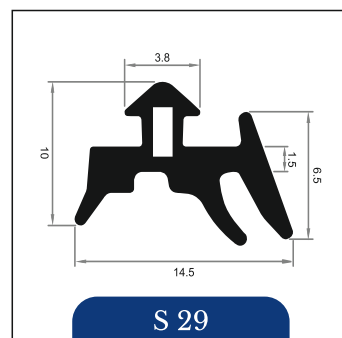
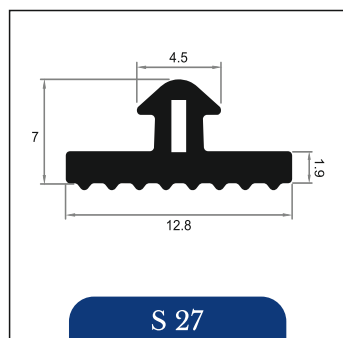
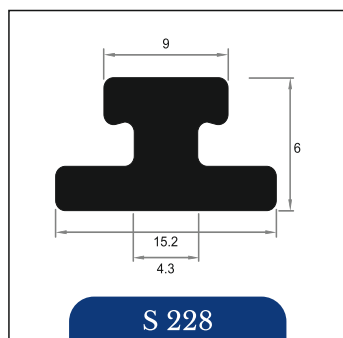
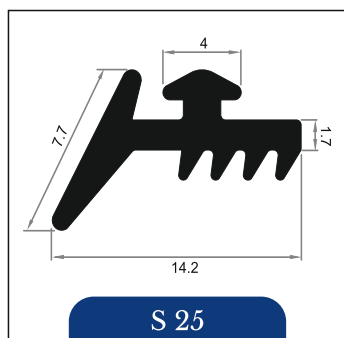
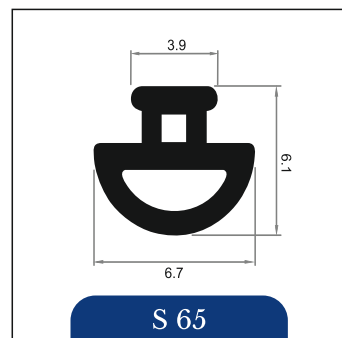
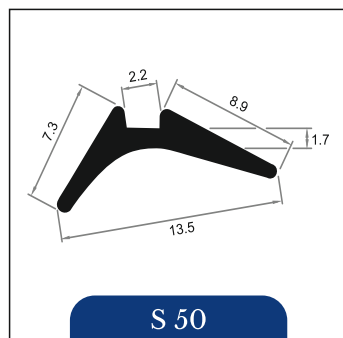
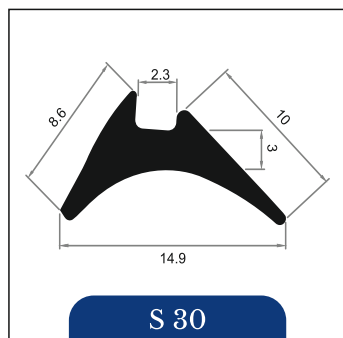
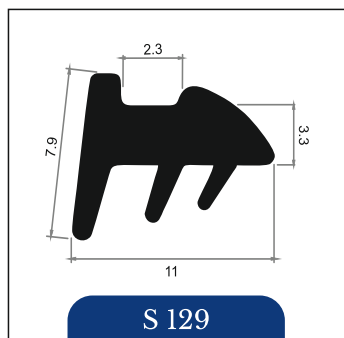
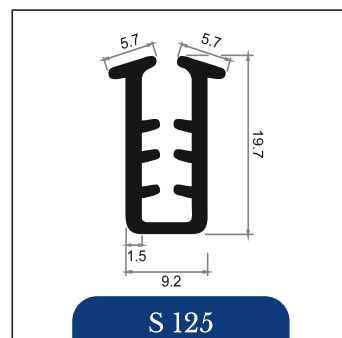
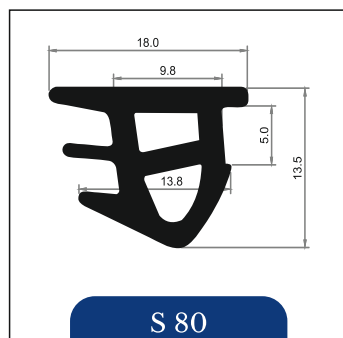
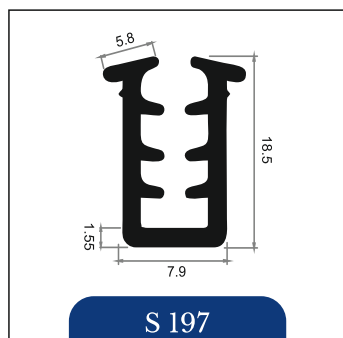
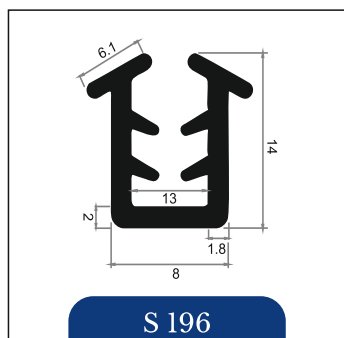


## UPVC GASKETS (RUBBER)/UPVC GASKETS





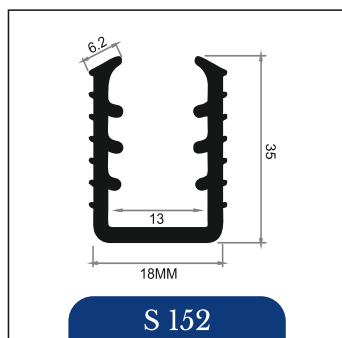
# ALUMINIUM GASKETS (RUBBER)/UPVC GASKETS



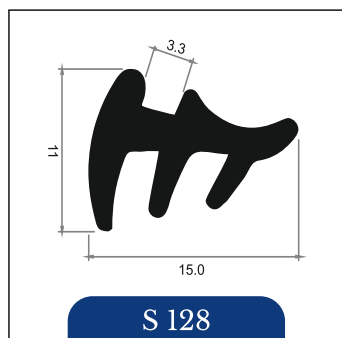


SHREE POLYMERS

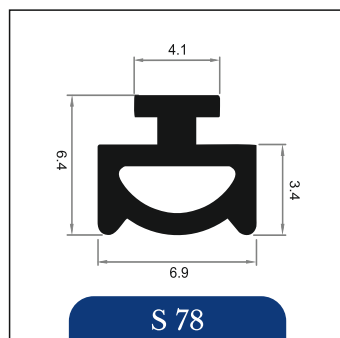
## ALUMINIUM GASKETS (RUBBER)/UPVC GASKETS



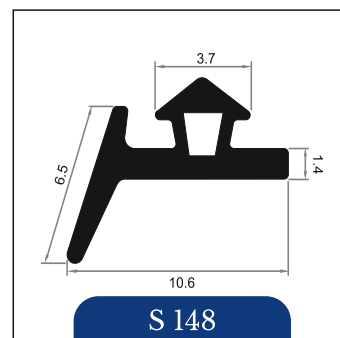
S 152



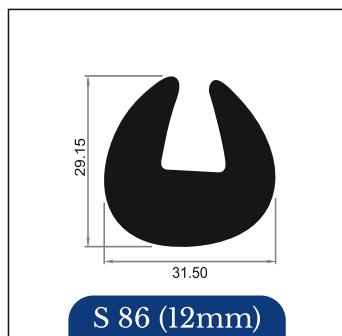
S 128



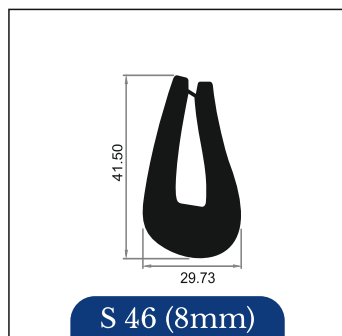
S 78



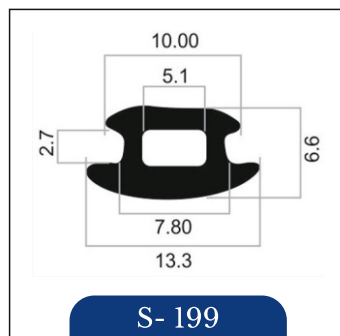
S 148



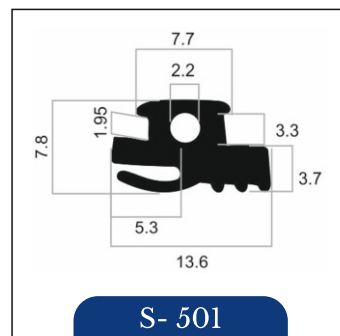
S 86 (12mm)



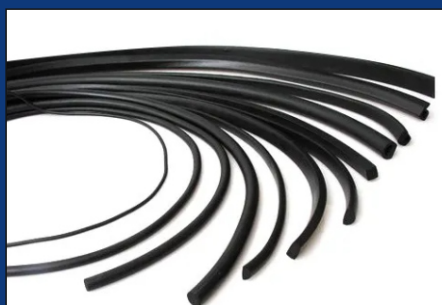
S 46 (8mm)



S- 199



S- 501





**SHREE POLYMERS**



# ADVANTAGESZ OF SHREE POLYMERS EPDM RUBBER GASKETS

EPDM profile  
that withstand  
all climatic  
conditions

**CERTIFICATES**

**SHRIRAM INSTITUTE FOR INDUSTRIAL RESEARCH**  
 (A wing of Shriram Scientific and Industrial Research Foundation)  
 18, University Road, Delhi - 110007 (India) Website: www.shriramsciindia.org  
 AN ISO 9001:2001, ISO 14001 & ISO 45001 Certified Institute Email: info@shriramsciindia.org  
 info@shriramsciindia.org

**TEST REPORT** NO: C1100018886

Report No: 2024/0001  
 ORDER FOR TESTS: 2024/0001  
 ORDERED BY: M/S. SHRI POLYMERS, 108, Sector 14, Gurgaon, Haryana  
 Reference No: 2024/0001  
 Testing Date: 23.04.2024  
 Customer Name: SHRI POLYMERS

Report No: 2024/0001  
 ORDERED BY: M/S. SHRI POLYMERS, 108, Sector 14, Gurgaon, Haryana  
 Reference No: 2024/0001  
 Testing Date: 23.04.2024  
 Customer Name: SHRI POLYMERS

**SAMPLE DESCRIPTION:** J.DAL 3088 & 843 0308  
 ONE SAMPLE QUANTITY: 3 PCS - 3 FT X 1 FT EACH APPROX (ENRICHED EPDM RUBBER), WAS RECEIVED.  
 The testing was not carried out by SHRIRAM INSTITUTE FOR INDUSTRIAL RESEARCH. The sample particulars provided for the Test Certificate are based on the declaration by the Customer.

S.N.	Test	Result	Protocol/Standard Used
1	Rubber Compound, N	27	ASTM D 301-01

Date of report: 23.04.2024  
 Date of issue: 26.04.2024  
 Date of implementation: 08.03.2024

Head of report

AUTHORIZED SIGNATORY  
 EMPLOYEE CODE: 2024/0001

SHRIRAM INSTITUTE FOR INDUSTRIAL RESEARCH  
 18, University Road, Delhi - 110007 (India) Phone: 011-26284610, 26284611 Fax: 011-26284612  
 Email: info@shriramsciindia.org



**SHREE POLYMERS**

**EXEMPLARY SEALING SOLUTIONS  
FOR DIVERSE APPLICATIONS**

## **SHREE POLYMERS**

---

**Address:**

Khewat / Khata No. 202, Khasra No. 3296/1411, 1413/1,  
Near Kapoor Filling Station, Najafgarh Road, Bahadurgarh,  
Distt. Jhajjar, Haryana - 124507

**Contact No:**

+91 7982549097, 9350007313

**Email ID:**

shreepolymersbdh@gmail.com