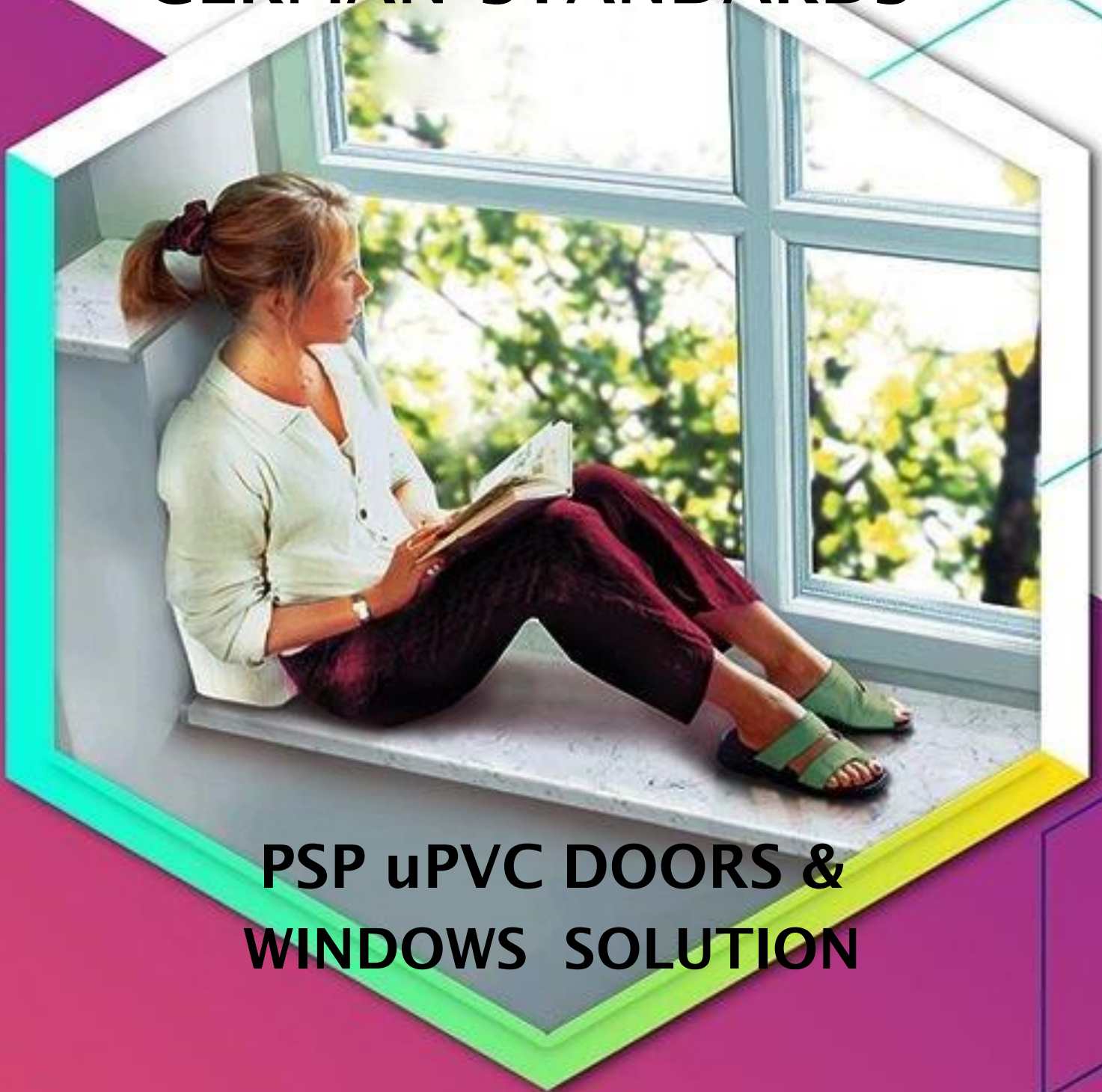




Quality Speaks

Conforming to GERMAN STANDARDS



PSP uPVC DOORS & WINDOWS SOLUTION



AN ISO 9001 : 2015 , ISO 14001 : 2015 , OHSAS ISO 45001 : 2018 Certified Organization

PSP Dynamic Pvt. Ltd

COMPANY PROFILE :-

PSP Dynamic Private Limited (Formally known as PS Polyplast Pvt. Ltd.), is the flagship company of young and dynamic. PSP Group was established in 2010 and based in Alwar, Rajasthan, (NCR) India, which has diversified business in plastic, wire & cable, and allied products for the Building materials industry.

The core management team of the company consists of 4 professionals with 2-3 decades of industry experience including in wire & cable, uPVC Profiles, uPVC, and aluminium Windows & Doors industry at senior level positions.

The company has country-wide customer-friendly marketing network for promoting PSP brand uPVC profiles, uPVC and aluminium Windows & Doors, and Wire & Cable with Architects, Influencers, Interior designers, Consultants, and Builders. The fabricators will be provided with technical support in setting up the fabricating unit.

Company Growth-

In year 2010-2011 - This is the year of company establishment, started the business with the distribution ship of wide range of wire & Cables and electrical goods.

In year 2014-2015 - The company has set up a state-of-the art plant at Matsya Industrial Area at Alwar, Rajasthan with imported high-speed extrusion lines and ultra-precision tooling of latest technology to produce India's best extra high UV resistant uPVC door and window profiles under the brand name PSP, completely meeting the British Standard BS EN 12608 with class-B wall thickness (2.5 mm for outer wall). The profiles are lead free, RoHS compliant supported by German technology, and extruded out of specially formulated compounds to meet the tropical Indian climatic conditions which are severe compared to climatic conditions of European countries, China, etc.

The product range also includes laminated profiles with base colour matching the foil shades. The laminated foils used are suitable for tropical climatic conditions.

In year 2018-2019 - The company enhance its production capability by doubling it from 6000 MT to 12000 MT Annually of uPVC Profiles. Established a modern and hi-tech plant to manufacture, supply & installation of uPVC Windows & Doors.

In year 2019-2020 - Established a modern and hi-tech plant for the fabrication of aluminium Windows & Doors with the capacity of 6 lacs sqft. annually.

In year 2020-2021 – Established a modern and highly equipped plant for manufacturing of all type of Electric Wire & Cables, supported by German technology in old Industrial area at Alwar, Rajasthan (NCR) India. Wire and cable plant having all imported equipments and high precision machines which are capable to produce high-quality products with the lowest manpower and lowest consumption of energy.

This product is also approved by CE Certification and got the BIS relevant licenses.



Manufacturing Plant inside



Certification and licenses:

CERTIFICATE

This is to Certify that
Occupational Health and Safety Management System
of
PSP DYNAMIC PVT. LTD.
26A, OLD INDUSTRIAL AREA, ALWAR - 301001, RAJASTHAN, INDIA.
has been independently assessed by DBS
and is compliant with the requirement of:
ISO 45001:2018

For the following scope of activities:
DESIGN, MANUFACTURE, SUPPLY INSTALLATIONS OF UPVC AND WPC PROFILES FOR DOORS AND WINDOWS, GI REINFORCEMENT AND ACCESSORIES, UPVC AND ALU DOORS AND WINDOWS, CU AND ALU CONDUCTORS AND ALL TYPE OF WIRE AND CABLES.

Certificate Number: HS-205021042206

Date of Certification:	22nd April 2021
1 st Surveillance Audit Due:	21st April 2022
2 nd Surveillance Audit Due:	21st April 2023
Certificate Expiry:	21st April 2024

The Certificate is property of DBS Certification and remains valid subject to satisfactory surveillance audits.

Head of Certification: [Signature]

Accredited by: IAS, IAF, CMAA

DBS CERTIFICATIONS PVT. LTD.
142, 1st Floor, Anar Enclave, Paschim Vihar, Delhi-110063, (INDIA) info@dbscertification.com, www.dbscertification.com
ACCREDITED BY: International Accreditation Service (IAS) 3005, Saturn Street Suite 102, Brea, Ca 92621-1712, United States of America

CERTIFICATE

This is to Certify that
Environmental Management System
of
PSP DYNAMIC PVT. LTD.
26A, OLD INDUSTRIAL AREA, ALWAR - 301001, RAJASTHAN, INDIA.
has been independently assessed by DBS
and is compliant with the requirement of:
ISO 14001:2015

For the following scope of activities:
DESIGN, MANUFACTURE, SUPPLY INSTALLATIONS OF UPVC AND WPC PROFILES FOR DOORS AND WINDOWS, GI REINFORCEMENT AND ACCESSORIES, UPVC AND ALU DOORS AND WINDOWS, CU AND ALU CONDUCTORS AND ALL TYPE OF WIRE AND CABLES.

Certificate Number: E-205021042205

Date of Certification:	22nd April 2021
1 st Surveillance Audit Due:	21st April 2022
2 nd Surveillance Audit Due:	21st April 2023
Certificate Expiry:	21st April 2024

The Certificate is property of DBS Certification and remains valid subject to satisfactory surveillance audits.

Head of Certification: [Signature]

Accredited by: IAS, IAF, CMAA

DBS CERTIFICATIONS PVT. LTD.
142, 1st Floor, Anar Enclave, Paschim Vihar, Delhi-110063, (INDIA) info@dbscertification.com, www.dbscertification.com
ACCREDITED BY: International Accreditation Service (IAS) 3005, Saturn Street Suite 102, Brea, Ca 92621-1712, United States of America

CERTIFICATE

This is to Certify that
Quality Management System
of
PSP DYNAMIC PVT. LTD.
26A, OLD INDUSTRIAL AREA, ALWAR - 301001, RAJASTHAN, INDIA.
has been independently assessed by DBS
and is compliant with the requirement of:
ISO 9001:2015

For the following scope of activities:
DESIGN, MANUFACTURE, SUPPLY INSTALLATIONS OF UPVC AND WPC PROFILES FOR DOORS AND WINDOWS, GI REINFORCEMENT AND ACCESSORIES, UPVC AND ALU DOORS AND WINDOWS, CU AND ALU CONDUCTORS AND ALL TYPE OF WIRE AND CABLES.

Certificate Number: Q-205021042204

Date of Certification:	22nd April 2021
1 st Surveillance Audit Due:	21st April 2022
2 nd Surveillance Audit Due:	21st April 2023
Certificate Expiry:	21st April 2024

The Certificate is property of DBS Certification and remains valid subject to satisfactory surveillance audits.

Head of Certification: [Signature]

Accredited by: IAS, IAF, CMAA

DBS CERTIFICATIONS PVT. LTD.
142, 1st Floor, Anar Enclave, Paschim Vihar, Delhi-110063, (INDIA) info@dbscertification.com, www.dbscertification.com
ACCREDITED BY: International Accreditation Service (IAS) 3005, Saturn Street Suite 102, Brea, Ca 92621-1712, United States of America

Certificate of Performance

This certificate is awarded to **P.S. Polyplast Pvt Ltd**
for the performance of **Casement Windows** of size **1200 X 1200 (mm)**,
tested at our laboratory on **14 July 2015**, as per BS EN1026, BS EN10267 and BS EN12211.
The classification of the tested sample is given below.

Air Infiltration	2	(BS EN12207)
Water Penetration	1A	(BS EN12208)
Structural Performance	C4	(BS EN12210)

CHIN YAN FEN
Mansingh, Delhi

GOH ARI WEI
Delhi

WINDWALL TECHNOLOGY INDIA PRIVATE LTD.

CERTIFICATE
of Compliance

This is to certify that the technical documentation has been independently assessed and compliant with the requirements of CPR directive 305/2011/EU

Manufacturer
Name : PSP DYNAMIC PVT. LTD.
Address : 26A, OLD INDUSTRIAL AREA, ALWAR - 301001, RAJASTHAN, INDIA
Product Details : UPVC AND WPC PROFILES FOR DOORS AND WINDOWS, GI REINFORCEMENT AND ACCESSORIES, UPVC AND ALU DOORS AND WINDOWS, CU AND ALU CONDUCTORS AND ALL TYPE OF WIRE AND CABLES
Applicable Standard : Directive 305/2011/EU

This certificate refers to the information examined and read with manufacturer's declaration of conformity. Further, the product liability rests with the manufacturer or his representative in accordance with the council directive 305/2011/EU (Construction Products Regulation). The CE Mark as shown below can be used, under the responsibility of manufacturer, after completion of a CE Declaration of conformity and compliance with the relevant CE Directives.

Certificate No.:	SPC21CS278
Date of Initial Registration:	22-04-2021
1 st Surveillance audit on or before:	21-04-2022
2 nd Surveillance audit on or before:	21-04-2023
Date of Re-Certification:	22-04-2024

Authorized Signatory
SP Certification Limited
150, Our Street, London, EC1V9RD, U.K.
Email: info@spcertification.co.uk
www.spcertification.co.uk

Accredited by Accreditation Forum of International Standards (AFIST) (UK) LTD.
8 Park View Road, Leeds, LS4 2LS, United Kingdom (UK), Email: info@afist.org, Website: www.afist.org
The approval is subject to the company maintaining its system to the required standards, which will be monitored by SPC.
The Certificate remains the property of SPC and must be retained on request.
To check validity of this certificate please visit www.spcertification.co.uk and www.afist.org

Certificate of Performance

This certificate is awarded to **P.S. Polyplast Pvt Ltd**
for the performance of **Sliding Windows** of size **1200 X 1200 (mm)**,
tested at our laboratory on **14 July 2015**, as per BS EN1026, BS EN10267 and BS EN12211.
The classification of the tested sample is given below.

Air Infiltration	1	(BS EN12207)
Water Penetration	1A	(BS EN12208)
Structural Performance	C4	(BS EN12210)

CHIN YAN FEN
Mansingh, Delhi

GOH ARI WEI
Delhi

WINDWALL TECHNOLOGY INDIA PRIVATE LTD.

SHRIRAM INSTITUTE FOR INDUSTRIAL RESEARCH TEST REPORTS

SHRIRAM INSTITUTE FOR INDUSTRIAL RESEARCH
(A unit of Shirram Scientific and Industrial Research Foundation)
19, University Road, Delhi - 110007 (India) Website: www.shriraminstitute.org
An ISO - 9001, 14001 & OHSAS 18001 Certified Institute E-mail id: customercare@shriraminstitute.org

TEST CERTIFICATE NO : C1/0000226218

Issued To: Client Code (ALW/WH/PT/94) Date: 28.08.2020
PSPDYNAMIC PRIVATE LTD Job No: 2007-1-115-068
20-A, OLD INDUSTRIAL AREA, ALWAR Booking No: RG202111853
ALWAR Booking Date: 13-07-2020
RAJASTHAN-301001 Customer Ref No: ISMAIL
Kind Attn: MR. BHUVNESH PAMBA,GM TECHNICAL (SALES & MARKETING) Customer Ref Dt: 13-07-2020

Sample Particulars:
One sample of UPVC PROFILE marked as "PSP EXTRA HIGH UV RESISTANCE RoHS PROFILE" was received.
"The sampling was not carried out by Shirram Institute for Industrial Research. The sample details provided in test certificate are based on declaration by the party."

Product Details: UPVC PROFILE marked as "PSP EXTRA HIGH UV RESISTANCE RoHS PROFILE"
Test: Fungal Resistance
Protocol: As per ASTM G-21-15
Test Organisms: *Aspergillus niger*, *Aspergillus pululans*, *Penicillium pinophilum*, *Chaetomium globosum*, *Trichoderma viride*
Time of Incubation: 28° C for 28 days

S.No.	Observed growth on Specimen	Rating
1	None	0

Interpretation: Result rating 0, for the test specimen as per G-21. As no fungal growth observed on the test specimen, hence, we confirm the sample passes the test in this regard.

DOR: 13.07.2020
DOC: 28.08.2020

Authorised Signatory (Employee Code: 54119)

GC-01(Rev-05) 1/1
Phone: 91-11-27000100, 27667267, 27667860 Fax: 91-11-27667207
See overleaf for terms & conditions

SHRIRAM INSTITUTE FOR INDUSTRIAL RESEARCH
(A unit of Shirram Scientific and Industrial Research Foundation)
19, University Road, Delhi - 110007 (India) Website: www.shriraminstitute.org
An ISO - 9001, 14001 & OHSAS 18001 Certified Institute E-mail id: customercare@shriraminstitute.org

TEST CERTIFICATE NO : C1/0000223104

Issued To: Client Code (ALW/WH/PT/94) Date: 28.07.2020
PSPDYNAMIC PRIVATE LTD Job No: 2007-1-115-062
20-A, OLD INDUSTRIAL AREA, ALWAR Booking No: RG202111853
ALWAR Booking Date: 13-07-2020
RAJASTHAN-301001 Customer Ref No: ISMAIL
Kind Attn: MR. BHUVNESH PAMBA,GM TECHNICAL (SALES & MARKETING) Customer Ref Dt: 13-07-2020

Sample Particulars:
One sample of UPVC Profile marked as "PSP EXTRA HIGH UV RESISTANCE RoHS PROFILE" was received.
"The sampling was not carried out by Shirram Institute for Industrial Research. The sample details provided in test certificate are based on declaration by the party."

Test: Antimicrobial efficacy of "PSP EXTRA HIGH UV RESISTANCE RoHS PROFILE"
Protocol: As per ASTM E 2180
Sample Name: UPVC Profile marked as "PSP EXTRA HIGH UV RESISTANCE RoHS PROFILE"
Sample size: 3.0 x 3.0 cm
Test Organisms: *Pseudomonas aeruginosa* and *Staphylococcus aureus*

S.No.	Test Microorganisms used	0 hr count/cfui/ml (Control)	24 hr count/cfui/ml (Sample)	Percent Reduction (%)
1	<i>Pseudomonas aeruginosa</i>	4.3×10^6	5.1×10^0	<1
2	<i>Staphylococcus aureus</i>	4.5×10^6	5.2×10^0	<1

Computational formula:
$$\% \text{ Reduction} = \frac{A - B}{A} \times 100$$

Where:
A = The antilog of the Geometric mean of organism recovered from the incubation period 'Control'
B = The antilog of the Geometric mean of organism recovered from the incubation period 'Sample'

Interpretation: The antimicrobial activity of UPVC Profile marked as "PSP EXTRA HIGH UV RESISTANCE RoHS PROFILE" was found 99.99% against *Pseudomonas aeruginosa* and *Staphylococcus aureus*.

DOR: 13.07.2020
DOC: 28.07.2020

Authorised Signatory (Employee Code: 54119)

GC-01(Rev-05) 1/1
Phone: 91-11-27000100, 27667267, 27667860 Fax: 91-11-27667207
See overleaf for terms & conditions

SHRIRAM INSTITUTE FOR INDUSTRIAL RESEARCH
(A unit of Shirram Scientific and Industrial Research Foundation)
An ISO - 9001:2008 Certified Institute

TEST CERTIFICATE 000356457

Issued to: PS POLYPLAST PVT LTD J.O.No. 501-141-2660
401 WONDER EXCELLENCY Reg.No. 1368966
23 MANU SARG Date 30-01-2015
ALWAR - 301001,RAJASTHAN Your Ref.No. GC-01 (REV-04)

Kind Attn: MR. PP PRABHAKARAN , GM-SALES & MKTG Date 06.01.2015

Sample Particulars:
One sample described as UPVC Profile for Windows Brand - PSP, was received.
"The sampling was not carried out by Shirram Institute for Industrial Research. The sample details provided in the test certificate are based on declaration by the party."

TEST RESULTS

S.No.	Tests	Results	Protocol/method used
1.	Density at 27°C, g/cc	1.46	As per guidelines of ASTM D 792 -08
2.	Hardness, Shore D	90	As per guidelines of ASTM D 2240 -05
3.	Tensile Strength, MPa	38	As per guidelines of ASTM D 638 -08
4.	Elongation at break, %	128	As per guidelines of ASTM D 638 -08
5.	Tensile Modulus, MPa	2349	As per guidelines of ASTM D 638 -08
6.	Flexural Modulus of Elasticity, MPa	2549	As per guidelines of ASTM D 790 -07
7.	Izod Impact Strength, J/m	207	As per guidelines of ASTM D 256 -06
8.	Water absorption, % (At 23°C for 24 hrs)	0.05	As per guidelines of ASTM D 570 -98
9.	Vicat Softening Temperature, °C	83	As per guidelines of ASTM D 1527 -07
10.	Limiting Oxygen Index, %	45	As per guidelines of ASTM D 2863 -08
11.	Behavior after heat ageing (at 150°C for 30/3/-0 minutes)	No Visible distort observed	As per guidelines of EN: 12608:2003
12.	Resistance to Impact by falling mass at -10°C for 1 hr at 1Kg load	Sample does not show rupture or broken	As per guidelines of EN: 12608:2003
13.	Heat Reversion, %	1.0	As per guidelines of EN: 12608:2003
14.	Stress Relief Test	Sample does not show blisters, excessive delamination or cracking or signs of weld line splitting	As per guidelines of IS: 13592-1992
15.	Thermal Conductivity, W/mK (@ 23°C)	0.241	As per guidelines of ISO 22007 (Part 2) -2013

D.O.R.: 10.01.2015
D.O.C.: 30.01.2015

Authorised Signatory (Employee Code: 54119)

19, University Road, Delhi - 110007. Ph: 91-11-27667267, 27667983, 27667860
E-Mail: sriddhi@vsnl.com Website: http://www.shriraminstitute.org Fax: 91-11-27667676, 27667207 P.T.O.

EXTRA

HIGH UV RESISTANT

PSP uPVC windows & doors system

An ISO 9001:2015 ISO 14001:2015 ISO 45001:2018 Certified Organization



Confirming to
**GERMAN
STANDARDS**



ANTIBACTERIAL

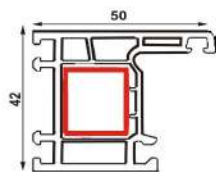


ANTI-FUNGALS

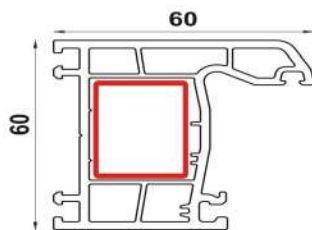


CASEMENT PSP-100 SERIES

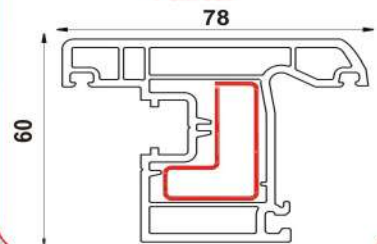
PSPE001
50/42 Casement Outer frame
PSRI 005



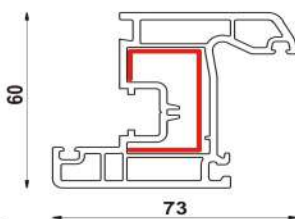
PSPC101
60/60 Casement Outer Frame
PSRI 001



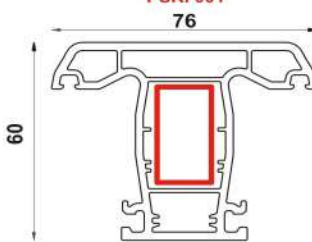
PSPC102
78/60 Casement Window Sash (Outward Open)
PSRI 002



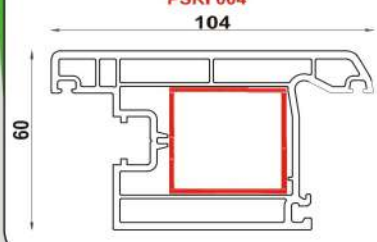
PSPC103
73/60 Casement Window Sash (Inward Open)
PSRI 003



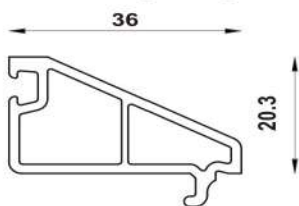
PSPC104
76/60 Transom Mullion
PSRI 001



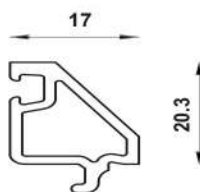
PSPC105
104/60 Casement Door Sash (Outward Open)
PSRI 004



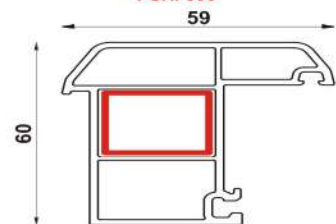
PSPC106
Casement Single Glazing Bead



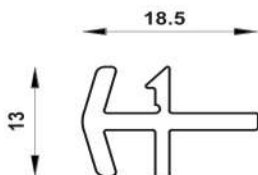
PSPC107
Casement Double Glazing Bead



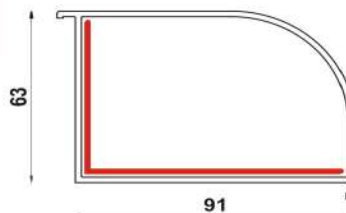
PSPC108
59/60 French Mullion
PSRI 005



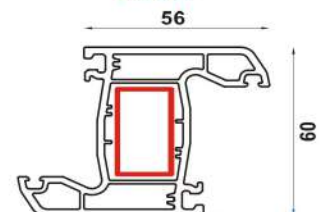
PSPC109
Coupling 180°



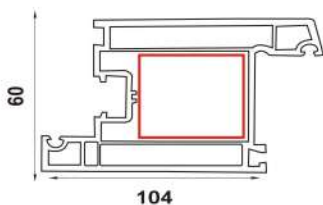
PSPC110
88/60 Bay Pole (90°)
PSRI 006



PSPC111
56/60 Z Mullion
PSRI 007

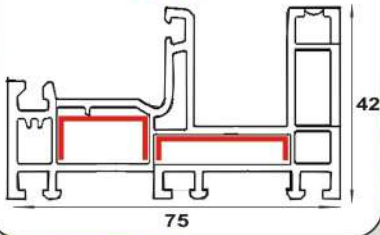


PSPC112
104/60 Casement door sash (Inward Open)
PSRI 004

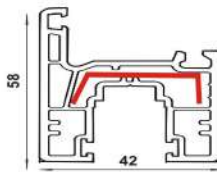


SLIDING PSP-200 SERIES

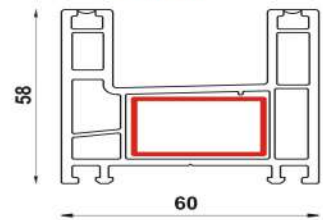
PSPE002
75/42 Fix & Slide Outer frame
PSRI 013



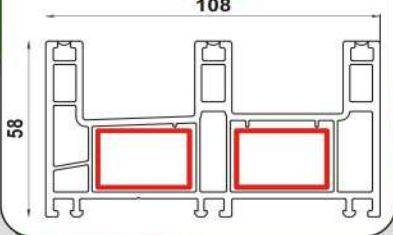
PSPE003
42/58 Sliding Window Sash
PSRI 014



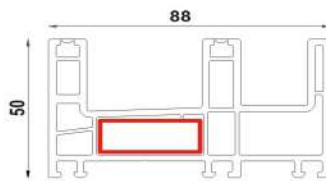
PSPS201
60/58, 2-Track Sliding Outer Frame
PSRI 001



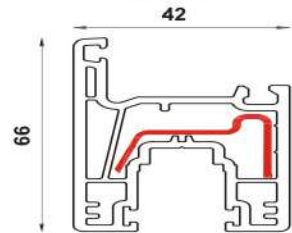
PSPS202
108 / 58, 3-Track Sliding Outer Frame
PSRI 001



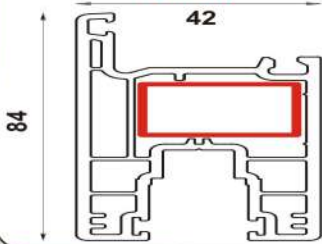
PSPS203
88 / 50, 2.5-Track Sliding Outer Frame
PSRI 008



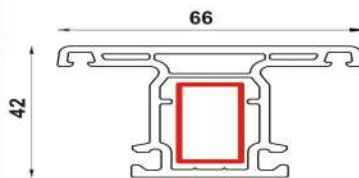
PSPS204
42/66, Sliding Window Sash
PSRI 009



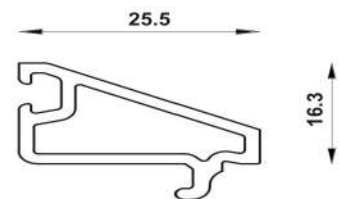
PSPS205
42/84, Sliding Door Sash
PSRI 010



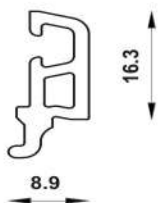
PSPS206
66/42 Mid-rail for sliding Sash /
Small Casement WPSPow Sash
PSRI 007



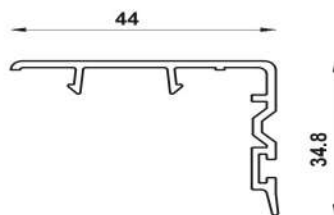
PSPS207
Sliding Single Glazing Bead



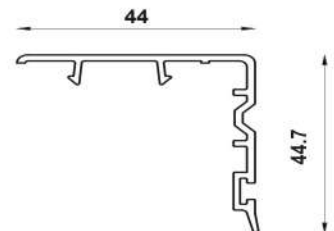
PSPS208
Sliding Double Glazing Bead



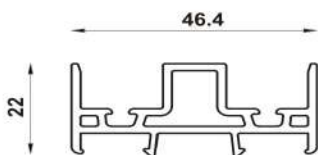
PSPS209
Interlock for Sliding Window Sash



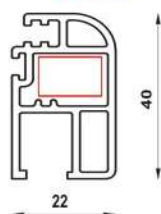
PSPS210
Interlock for Sliding Door Sash



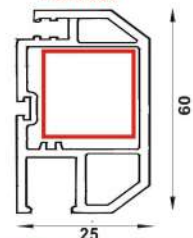
PSPS211
Multi-pane adaptor (UPVC)



PSPS212
22 / 40 Flyscreen Sash
PSRI 011

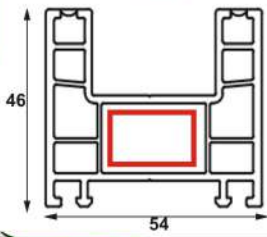


PSPS213
25/60 Big Fly Screen Sash
PSRI 007

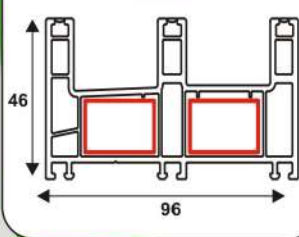


SLIDING PSP-300 SERIES

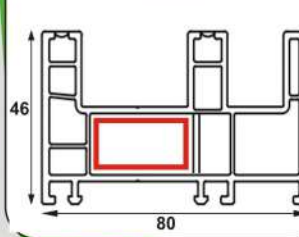
PSPS301
54/46 2 Track outer Frame
PSRI 012



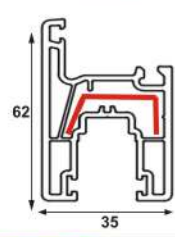
PSPS302
96/46 3 Track outer Frame
PSRI 012



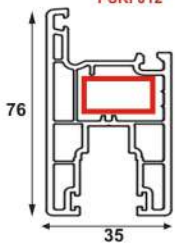
PSPS303
80/46 2.5 Track outer Frame
PSRI 012



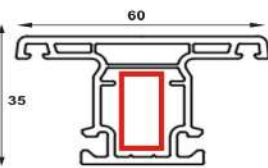
PSPS304
35/62 Sliding Window Sash
PSRI 015



PSPS305
35/76 Sliding Door Sash
PSRI 012



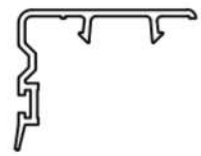
PSPS306
60/35 Mid rail for sliding sash
PSRI 012



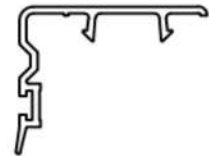
PSPS307
Single glazing Bead (for 35mm series)



PSPS309
Interlock for window sash

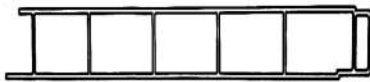


PSPS310
Interlock for Door Sash

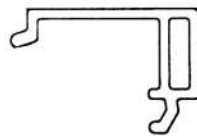


AUXILIARY PSP-400 SERIES

PSPA401
160 / 20 uPVC Board Panel



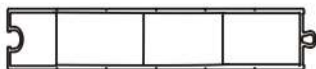
PSPA404
50 / 16 Louver Bead



PSPA406
30/10 Georgian bar



PSPA402
100 / 15 uPVC Board Panel



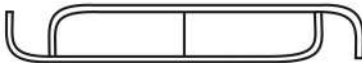
PSPA405
40/30 A Profile



PSPA407
70/45 Hurricane Bar
PSRI 016



PSPA403
60/11 Louver





PSP Laminated Profile

PSP offers a wide range of laminated wooden textures with more than 20 colours, which suited to your dream home requirements and these are most suitable for tropical weather conditions and providing 10 years warranty. Laminated profiles are available with brown & white base colour. All laminates are imported from Germany.

Features :

- Extreme weather resistance
- Impact resistance
- Colour stability
- Easy maintenance
- Gloss retention
- Environment friendly

PSP ADVANTAGE

Design Friendly

A creative collection of profiles mix-matched with combinations like bayspoles coupled windows, combination windows, etc is our forte.

Extra Durability

PSP windows do not warp, twist, or split. Impact modifiers in our profiles are treated with special additives, thereby making the material extremely long lasting.

Air Quality

Indoor Air Quality can be maintained by avoiding interior energy loss. PSP windows is are welled design to save energy.

Extra UV Resistance

PSP windows offer 100% UV resistance with 8 part of TiO₂, which helps in retaining whiteness against exposure to sun.

Training & Development

Intense training on fabrication and installation that makes partner sales team self-reliant & competent to handle customer needs.

Maintenance Free

PSP windows are dirt resistant and easy to maintain with normal soap water.

Termite & Corrosion Resistance

PSP windows are termite and corrosion resistant. Salts, acids, alkali and waste gases cannot corrode the window systems.

Fire Retardant

PSP windows are fire retardant. During fire, once source of fire is removed, a carbonaceous layer is formed preventing supplying of oxygen and stops the spread.

Sound Insulation

Not only do they provide thermal insulation but also special sound insulation.

Lead Free Profile

Lead being a cancer generating agent, we develop lead free profile to avoid health hazards to people. It also provides longer window life with stronger weld strength and better UV resistance.

Wide Product Ranges

Unique versatile designs with engineering principles have led to development of various profile that are suitable for budget apartments to most premium villas.

Large Reinforcement Space

PSP strategic designing of reinforcement space allows large doors for sunlight & scenic view and usage in high rises.



PSP DYNAMIC PVT. LTD.



Head Office: 2nd Floor A-27, Sector 67, Noida (UP) INDIA +91-120-3100329 / 4277674
+91 8058591436 / 8824900412 / 8824900437 / 8824900411 / 8824900422 / 8824900429

Works: 26-A & A-27 Old Industrial Area, Alwar (Raj) India +91- 144-2945600 / +91 8824900431 - 435

Branch Offices :

GUWAHATI: Shine Towers, Arya Chowk, SJ Road, Guwahati - 781008 +91-9864038101 / 9435073291 / 8824900424 / 8851032245

BANGALORE: 90/2 Punyakoti Farm, Village - Kogilu, Yelahanka Bengaluru +91-8824900414 / 8824900441 / 8824900442

HYDERABAD: Sy No. 5, H.No. 6-135/2/3 Bowrampet, Hyderabad-500043 +91-8824900414 / 8824900441 / 9333029999

BHUVNESHWAR: 8824900410 / 8824900424 | **MUMBAI:** 8824900454 / 8824900410 | **PATNA:** 9430606921 / 9219602028 / 8824900416

RAJASTHAN & GUJRAT: 8824900455 / 8824900412 | **KATHMANDU:** +977-9821621756 / 8824900410 | **DHAKA:** 8824900412 / 8824900410

Visit us: www.pspdynamic.com Email: info@pspdynamic.com | Technical Desk: +91- 8824900412, 8824900433, 8824900440



PSP DYNAMIC PVT LTD

White & Laminated uPVC Profile
Price List & Weight Chart

W.E.F:- 01.04.2022

S. No.	Type	Part Code	Profile Description	Unit	Profile Length (Meter)	Qty Per Bundle		Max Wt. gm per Mtr	Basic Price (Rs/Meter)	
						(Meter)	(Nos)		White	Laminated
1	CASEMENT 100 SERIES	PSPC001	uPVC 50/42 Casement Outer Frame	Meter	5.8	58.0	10	700	161	288
2		PSPC002	uPVC 68/42 Small Casement Sash	Meter	5.8	58.0	10	845	196	360
3		PSPC100	uPVC 60/56 Casement outer frame	Meter	5.8	46.4	8	960	223	373
4		PSPC101	uPVC 60/60 Casement outer frame	Meter	5.8	46.4	8	1050	242	405
5		PSPC102	uPVC 78/60 Casement window sash (Outward open)	Meter	5.8	34.8	6	1200	276	471
6		PSPC103	uPVC 73/60 Casement window sash (Inward open)	Meter	5.8	46.4	8	1150	265	448
7		PSPC104	uPVC 76/60 Transom Mullion	Meter	5.8	46.4	8	1100	253	437
8		PSPC105	uPVC 104/60 Casement door sash (Outward open)	Meter	5.8	23.2	4	1525	351	613
9		PSPC106	uPVC 36/26 Casement Single Glazing Bead	Meter	5.8	174.0	30	320	74	136
10		PSPC107	uPVC 17/20 Casement Double Glazing Bead	Meter	5.8	174.0	30	212	49	94
11		PSPC108	uPVC 59/60 French Mullion	Meter	5.8	46.4	8	735	169	319
12		PSPC109	uPVC Coupling (180 deg.)	Meter	5.8	174.0	30	140	32	58
13		PSPC110	uPVC 88.5/60 Bay Pole (90 deg)	Meter	5.8	23.2	4	940	216	431
14		PSPC111	uPVC 56/60 Z Mullion	Meter	5.8	46.4	8	1050	242	426
15		PSPC112	uPVC 104/60 Casement door sash (Inward open)	Meter	5.8	23.2	4	1465	337	598
16	SLIDING 200 SERIES	PSPS200	uPVC 75/42 Fix & Sliding Outer Frame	Meter	5.8	34.8	6	1040	239	379
17		PSPS201	uPVC 60/44, 2-track Sliding outer frame	Meter	5.8	46.4	8	895	208	352
18		PSPS201S	uPVC 60/58, Super 2-track Sliding outer frame	Meter	5.8	46.4	8	1110	255	437
19		PSPS202	uPVC 112/44, 3-track Sliding outer frame	Meter	5.8	23.2	4	1460	339	500
20		PSPS202S	uPVC 108/58, Super 3-track Sliding outer frame	Meter	5.8	23.2	4	1740	400	601
21		PSPS203S	uPVC 88/50, Super 2.5-track Sliding outer frame	Meter	5.8	23.2	4	1400	322	491
22		PSPS204	uPVC 58/42 Sliding window sash	Meter	5.8	46.4	8	900	207	380
23		PSPS204S	uPVC 66/42 Super Sliding window sash	Meter	5.8	46.4	8	1065	245	438
24		PSPS205	uPVC 77/42 Sliding door sash	Meter	5.8	34.8	6	1130	262	478
25		PSPS205S	uPVC 84/42 Super Sliding door sash	Meter	5.8	34.8	6	1300	299	535
26		PSPS206	uPVC 66/42 Mid-rail for sliding sashes	Meter	5.8	46.4	8	800	184	329
27		PSPS207	uPVC 25/22 Sliding Single Glazing Bead	Meter	5.8	174.0	30	252	58	108
28		PSPS208	uPVC 9/16 Sliding Double Glazing Bead	Meter	5.8	174.0	30	141	33	63
29		PSPS209	uPVC 44/35 Interlock for sliding window sash	Meter	5.8	174.0	30	270	62	134
30		PSPS210	uPVC 44/45 Interlock for sliding door sash	Meter	5.8	174.0	30	285	66	138
31		PSPS211	uPVC 22/46 Multi-pane adaptor	Meter	5.8	116.0	20	440	101	170
32		PSPS212	uPVC 22/40 Flyscreen sash	Meter	5.8	116.0	20	415	95	212
33		PSPS213	uPVC 60/25 Flyscreen sash	Meter	5.8	92.8	16	635	146	297
34		PSPS214	uPVC 60/25 Mullion For Flyscreen sash	Meter	5.8	92.8	16	565	136	262
35		PSPS215	uPVC 35/20 Mesh Bead Sliding (200 Series)	Meter	5.8	174.0	30	247	57	107
36	SLIDING 300 SERIES	PSPS301	54/46, 2-track Sliding outer frame	Meter	5.8	46.4	8	890	205	357
37		PSPS302	96/46, 3-track Sliding outer frame	Meter	5.8	23.2	4	1340	308	473
38		PSPS303	80/46, 2.5-track Sliding outer frame	Meter	5.8	23.2	4	1175	270	431
39		PSPS304	62/35 Sliding Window Sash	Meter	5.8	46.4	8	865	199	379
40		PSPS305	76/35 Sliding Door Sash	Meter	5.8	34.8	6	1025	236	453
41		PSPS306	60/35 Mid rail for sliding Sash	Meter	5.8	46.4	8	680	156	302
42		PSPS307	Single glazing bead (35mm series)	Meter	5.8	174.0	30	208	48	99
43		PSPS308	54/35 Small Sliding window Sash	Meter	5.8	58.0	10	720	167	323
44		PSPS309	Interlock for window sash	Meter	5.8	174.0	30	245	56	119
45		PSPS310	Interlock for door sash	Meter	5.8	174.0	30	265	61	131
46		PSPS311	49/35 Ventilator Casement Frame	Meter	5.8	69.6	12	620	143	262
47		PSPS312	26/16 Mesh Bead For (300 Series)	Meter	5.8	174.0	30	250	57	107
48	AUXILARY 400 SERIES	PSPA400	100/6 Upvc Board Panel	Meter	5.8	92.8	16	390	90	NA
49		PSPA401	160/20 Upvc Board Panel	Meter	5.8	34.8	6	1215	279	669
50		PSPA402	100/15 Upvc Board Panel	Meter	5.8	58.0	10	660	152	411
51		PSPA403	60/11 Louver For 60mm Casement	Meter	5.8	104.4	18	360	83	NA
52		PSPA404	50/16 Louver bead For 60mm Casement	Meter	5.8	104.4	18	370	85	NA
53		PSPA405	40/30 A profile	Meter	5.8	104.4	18	450	104	NA
54		PSPA406	30/10 Geogian bar	Meter	5.8	174.0	30	178	41	104
55		PSPA407	65/40 Hurricane bar	Meter	5.8	46.4	8	827	190	385
56		PSPA408	37/22 Louver Bead For Sliding (200 Series)	Meter	5.8	104.4	18	260	60	NA
57		PSPA409	48/8 Louver For Sliding (200 Series)	Meter	5.8	104.4	18	260	60	NA

TERMS & CONDITIONS:

- Jurisdiction** :All disputes subject to Alwar(Rajasthan) Jurisdiction only.
- GST & Taxes** : GST & Other Taxes will be charged extra as applicable.
- Payment terms** : 100% in advance before despatch against PI,by RTGS/NEFT.
- Unloading** : the consignment shall be done by the customer at their own cost.
- Price basis** : Above prices are Ex-Works, Alwar, Rajasthan.
- Price change** : PSP Dynmic has right to change the price with one week prior information.
- Transportation** : All transportation related charges pertaining to transport of goods from Factory to customer site will be paid by customer at actual.
- Packing** : Profiles will be securely packed as per standard packing in bundles. Profiles will not be supplied in loose condition.

Note: WH: White DO: Dark Oak GO: Golden Oak MG: Mahogany WN: Walnut BK: Black GY: Grey



PSP
IND  **LAST**
The Smart Choice

Confirming to
GERMAN STANDARDS



EXTRA

HIGH UV RESISTANT

uPVC windows & doors system

An ISO 9001:2015 ISO 14001:2015 ISO 45001:2018 Certified Organization

CASEMENT INDO-100 SERIES



EASY MAINTENANCE

INDOPLAST windows are dust resistant and easy to maintain with normal soap water. INDOPLAST windows are completely maintenance free.

CLASS-B WALL THICKNESS 2.5 MM

INDOPLAST fully meets the Class B category standards with 2.5 mm outer wall thickness. This makes INDOPLAST windows superior.

WATER TIGHTNESS

The INDOPLAST uPVC windows do not allow any water leakage, no matter how heavy the rainstorm is. INDOPLAST windows are tested in winwall Technology Laboratory.

SOUND INSULATION

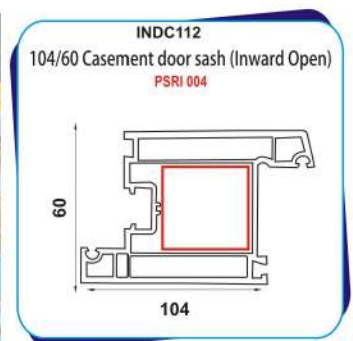
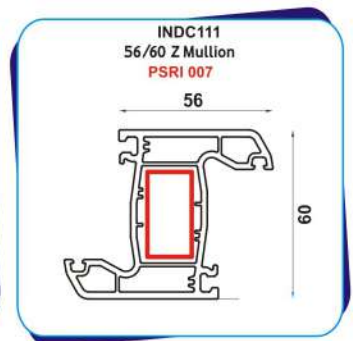
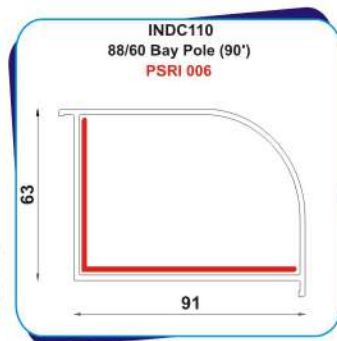
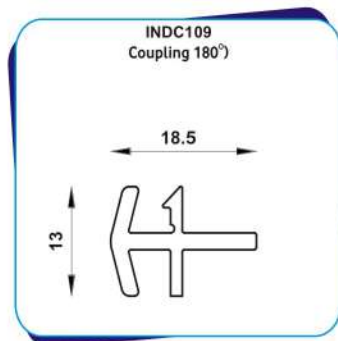
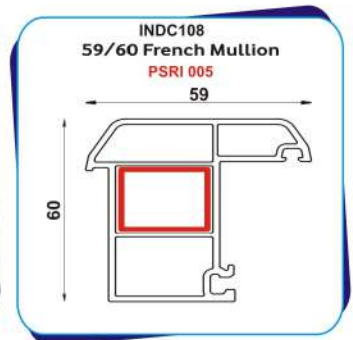
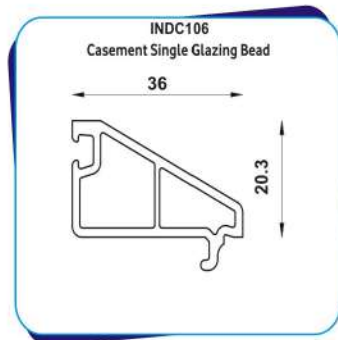
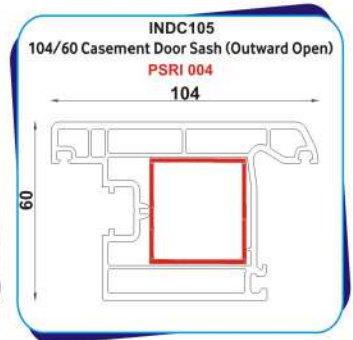
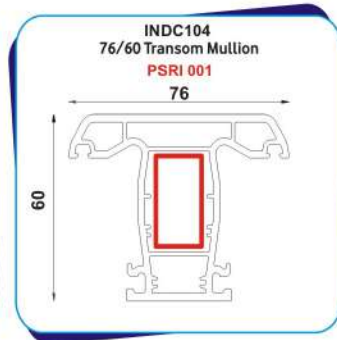
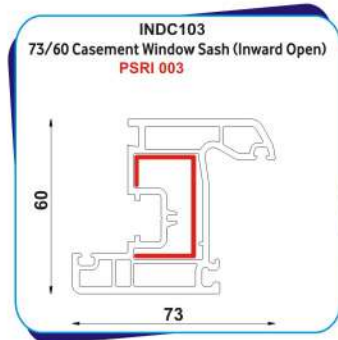
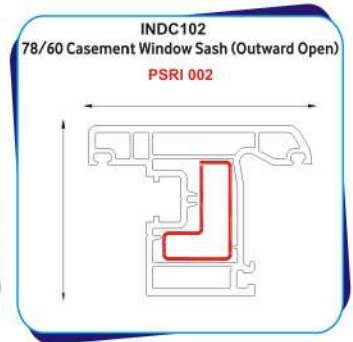
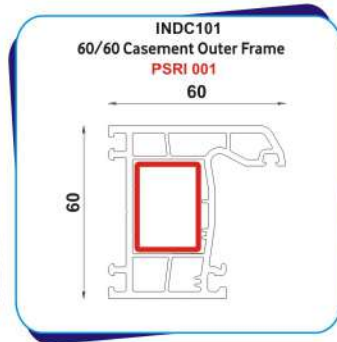
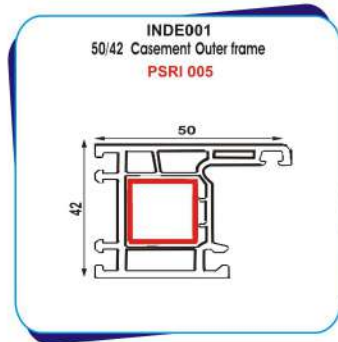
Not only do they provide thermal insulation but also special sound insulation. INDOPLAST profile are multichambered and using good quality of EPDM gasket in our windows

HIGH SECURITY

INDOPLAST uPVC windows fitted with security hardware, burglar-proof glass and locking handles prevent most burglaries. INDOPLAST High Security windows may designed as per the customer's need.

DUST PROOFING

Thermoglaze double glazed window and doors system do not require repainting and costly maintenance.



SLIDING INDO-200 SERIES

Special features

WEATHER RESISTANCE

INDOPLAST is ongoing development of window technology gives you a long lasting quality product.

INDOPLAST windows are specially developed keeping in mind for long exposures to sun, rain wind & moisture cannot affect window or durability.

FIRE RETARDANT

INDOPLAST windows are fire retardant and after removing of the source of the fire it will be automatically distinguish within a 60 seconds.

The INDOPLAST windows will not help to propagate the fire since the oxygen index of the dryblend is very very low.

EXTRA UV RESISTANCE

INDOPLAST windows offer high UV resistance with 8 PHR of Titanium Dioxide, which helps in retaining whiteness against exposure to sun.

INDOPLAST profiles is specially designs for Indian tropical climatic condition.

HIGH WIND PRESSURE

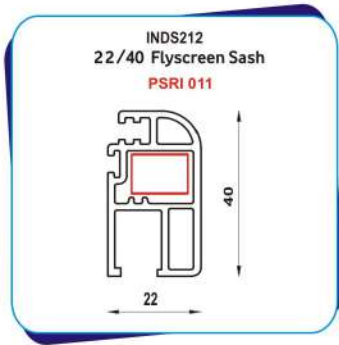
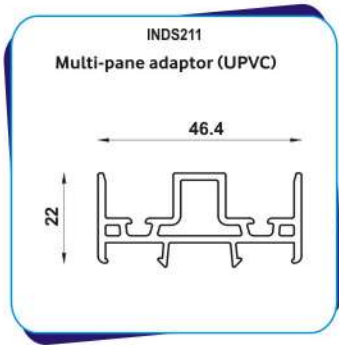
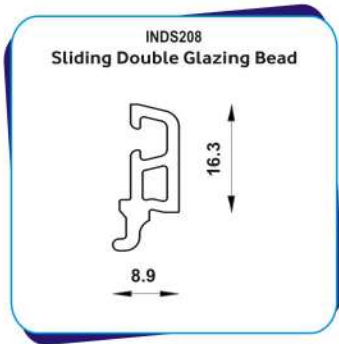
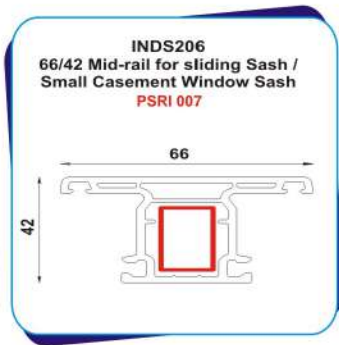
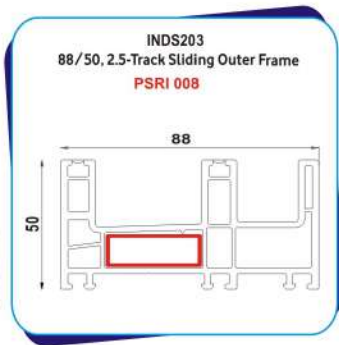
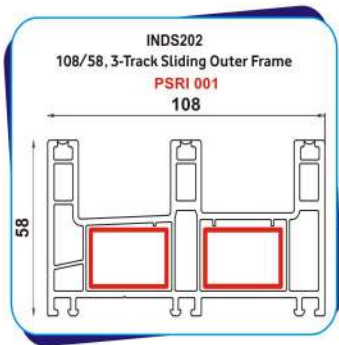
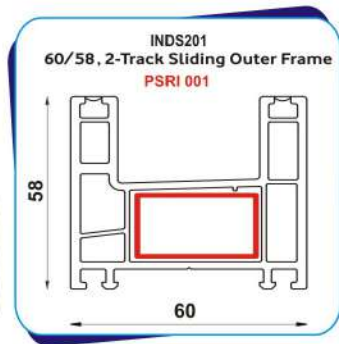
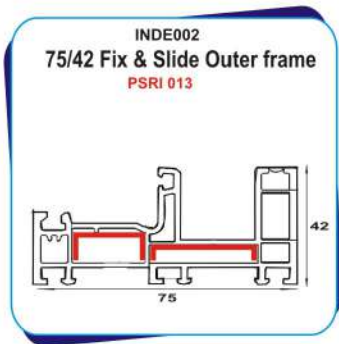
INDOPLAST is high wind load performance can bring you calm days even during typhoons.

The installation of INDOPLAST windows in high rise building has been very successful.

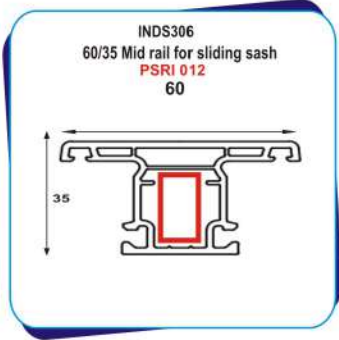
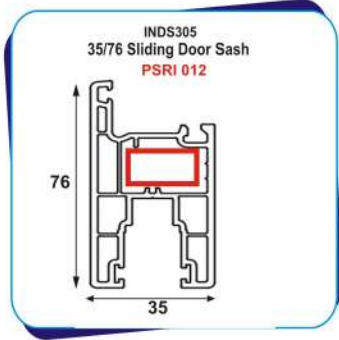
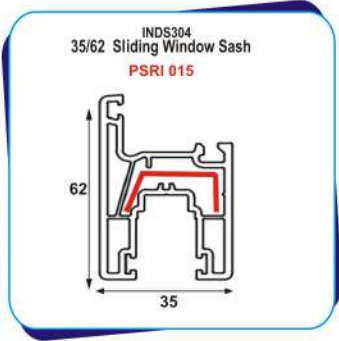
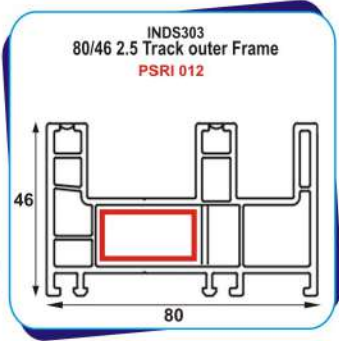
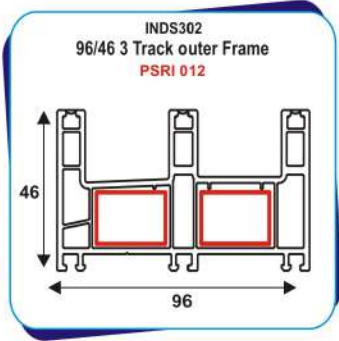
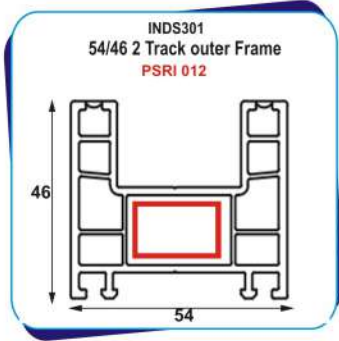
AIR TIGHTNESS

Scientific design of INDOPLAST window systems avoids the penetration of outdoor dust, air and noise.

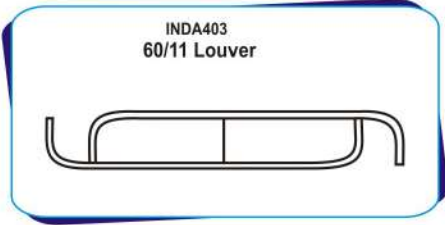
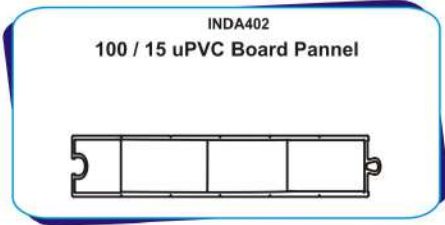
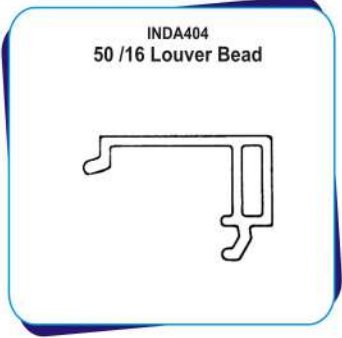
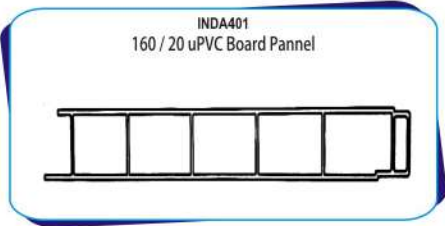
INDOPLAST windows are tested in winwall Technology Laboratory.



SLIDING INDO-300 SERIES



AUXILARY INDO-400 SERIES



Wind Load

Strength against the wind load

The wind pressure calculation is the most important factor for designing the doors & windows in any multistory buildings.

India is divided into many zones based on the wind speed data maintained at various weather stations across the country. The wind speed data is available for the 3 seconds short durations and long duration as well which is collected over last 5 decades.

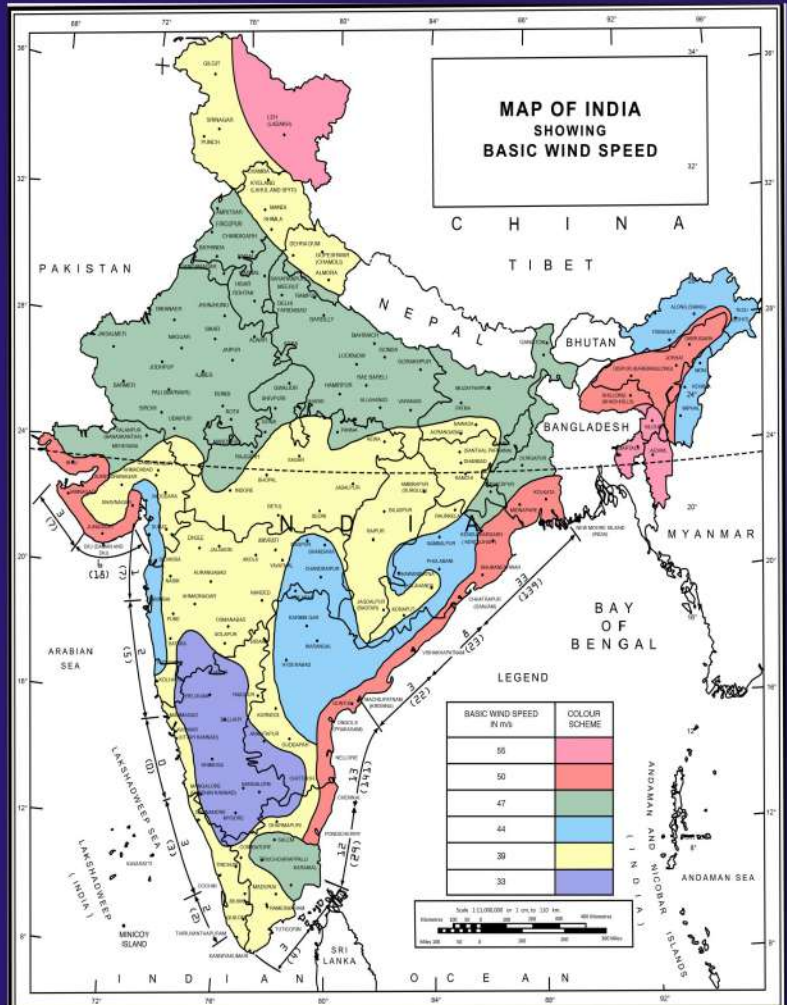
Following are the factors to determine wind load

- Wind speed as per the geographic location.
- Height of the structures.
- Shape of the building.
- Slope of the ground near structure
- Size and design of the window
- Life of glazing / structure desired.

Keeping these factors in mind we design and develop the profile to offer maximum stability and durability of our doors & windows

Below is a list of cities along with tentative different wind loads at different height.

	Upto 5 th floor	6 th to 10 th floor	11 th to 15 th floor	16 th to 40 th floor
Delhi	1559 Pa	1862 Pa	2078 Pa	2570 Pa
Mumbai	1366 Pa	1631 Pa	1821 Pa	2290 Pa
Kolkatta	1764 Pa	2107 Pa	2352 Pa	2895 Pa
Bangalore	768 Pa	918 Pa	1025 Pa	1246 Pa
Chennai	1764 Pa	2107 Pa	2352 Pa	2895 Pa
Hydrabad	1792 Pa	2125 Pa	2348 Pa	2810 Pa



System	Glass Thickness	Part Code	Gasket Size
Casement 100 series (60mm series)	4mm	PSPC106	3mm + 3mm
	5mm	PSPC106	2mm + 3mm
	6mm	PSPC106	2mm + 2mm
	8mm	PSPC106	1mm + 1mm
		PSPS207	6mm+6mm
	10mm	PSPS207	5mm + 5mm
	12mm	PSPS207	4mm + 4mm
	18mm	PSPC107	5mm + 6mm
		PSPS307	4mm + 4mm
	20mm	PSPC107	4mm + 5mm
	PSPS307	3mm + 3mm	
	22mm	PSPC107	3mm + 4mm
		PSPS307	2mm + 2mm
	24mm	PSPC107	2mm + 3mm
	32mm	PSPS208	3mm + 4mm
Casement 100 series (50mm series)	4mm	PSPS207	3mm + 3mm
	5mm	PSPS207	3mm + 2mm
	6mm	PSPS207	2mm + 2mm
	8mm	PSPS307	4mm + 3mm
	10mm	PSPS307	3mm + 2mm

GLAZING OPTIONS

System	Glass Thickness	Part Code	Gasket Size
Sliding 200 series	4mm	PSPS207	3mm + 3mm
	5mm	PSPS207	2mm + 3mm
	6mm	PSPS207	2mm + 2mm
	8mm	PSPS207	1mm + 1mm
		PSPS307	4mm + 3mm
	10mm	PSPS107	4mm + 5mm
		PSPS307	3mm + 2mm
	12mm	PSPS107	3mm + 4mm
		PSPS307	2mm + 1mm
	18mm	PSPS208	5mm + 5mm
	20mm	PSPS208	4mm + 4mm
	22mm	PSPS208	3mm + 3mm
Sliding 300 Series	4mm	PSPS307	3mm + 3mm
	5mm	PSPS307	3mm + 2mm
	6mm	PSPS307	2mm + 2mm
	8mm	PSPS307	1mm + 1mm
		PSPS208	4mm + 5mm
	10mm	PSPS208	3mm + 4mm
	12mm	PSPS208	2mm + 3mm



Manufactured by : PSP Dynamic Pvt. Ltd.

Head Office: 2nd Floor A-27, Sector 67, Noida (UP) INDIA +91-120-3100329 / 4277674
+91 8058591436 / 8824900412 / 8824900437 / 8824900411 / 8824900422 / 8824900429

Works: 26-A & A-27 Old Industrial Area, Alwar (Raj) India +91- 144-2945600 / +91 8824900431 - 435

Branch Offices :

- GUWAHATI:** Shine Towers, Arya Chowk, SJ Road, Guwahati - 781008 +91-9864038101 / 9435073291 / 8824900424 / 8851032245
- BANGALORE:** 90/2 Punyakoti Farm, Village - Kogilu, Yelahanka Bengaluru +91-8824900414 / 8824900441 / 8824900442
- HYDERABAD:** Sy No. 5, H.No. 6-135/2/3 Bowrampet, Hyderabad-500043 +91-8824900414 / 8824900441 / 9333029999
- BHUVNESHWAR:** 8824900410 / 8824900424 | **MUMBAI:** 8824900454 / 8824900410 | **PATNA:** 9430606921 / 9219602028 / 8824900416
- RAJASTHAN & GUJRAT:** 8824900455 / 8824900412 | **KATHMANDU:** +977-9821621756 / 8824900410 | **DHAKA:** 8824900412 / 8824900410

Visit us: www.pspdynamic.com Email: info@pspdynamic.com | Technical Desk: +91- 8824900412, 8824900433, 8824900440

S. No.	Type	Part Code	Profile Description	Unit	Profile Length (Mtr)	Qty Per Bundle		Max Wt gm per Mt	Basic Price RS/ Mtr	
						(Mtr)	(Nos)		From Factory	From Warehouse
1	CASEMENT 100 SERIES	INDC001	uPVC 50/42 Casement Outer Frame	Meter	5.8	58.0	10	700	148	154
2		INDC002	uPVC 68/42 Small Casement Sash	Meter	5.8	58.0	10	845	181	188
3		INDC100	uPVC 60/56 Casement outer frame	Meter	5.8	46.4	8	960	203	211
4		INDC101	uPVC 60/60 Casement outer frame	Meter	5.8	46.4	8	1050	223	231
5		INDC102	uPVC 78/60 Casement window sash (Outward open)	Meter	5.8	34.8	6	1200	254	264
6		INDC103	uPVC 73/60 Casement window sash (Inward open)	Meter	5.8	46.4	8	1150	244	253
7		INDC104	uPVC 76/60 Transom Mullion	Meter	5.8	46.4	8	1100	233	242
8		INDC105	uPVC 104/60 Casement door sash (Outward open)	Meter	5.8	23.2	4	1525	323	336
9		INDC106	uPVC 36/26 Casement Single Glazing Bead	Meter	5.8	174.0	30	320	68	70
10		INDC107	Upvc 17/20 Casement Double Glazing Bead	Meter	5.8	174.0	30	212	45	47
11		INDC108	uPVC 59/60 French Mullion	Meter	5.8	46.4	8	735	156	162
12		INDC109	uPVC Coupling (180 deg.)	Meter	5.8	174.0	30	140	30	31
13		INDC110	uPVC 88.5/60 Bay Pole (90 deg)	Meter	5.8	23.2	4	940	199	207
14		INDC111	uPVC 56/60 Z Mullion	Meter	5.8	46.4	8	1050	223	231
15		INDC112	uPVC 104/60 Casement door sash (Inward open)	Meter	5.8	23.2	4	1465	311	322
16	SLIDING 200 SERIES	INDS200	uPVC 75/42 Fix & Sliding outer frame	Meter	5.8	34.8	6	1040	223	231
17		INDS201	uPVC 60/44 , 2-track Sliding outer frame	Meter	5.8	46.4	8	895	190	197
18		INDS201S	uPVC 60/58, Super 2-track Sliding outer frame	Meter	5.8	46.4	8	1110	235	244
19		INDS202	uPVC 112/44 , 3-track Sliding outer frame	Meter	5.8	23.2	4	1460	310	321
20		INDS202S	uPVC 108/58, Super 3-track Sliding outer frame	Meter	5.8	23.2	4	1740	369	383
21		INDS203S	uPVC 88/50, Super 2.5-track Sliding outer frame	Meter	5.8	23.2	4	1400	297	308
22		INDS204	uPVC 58/42 Sliding window sash	Meter	5.8	46.4	8	900	191	198
23		INDS204S	uPVC 66/42 Super Sliding window sash	Meter	5.8	46.4	8	1065	226	234
24		INDS205	uPVC 77/42 Sliding door sash	Meter	5.8	34.8	6	1130	240	249
25		INDS205S	uPVC 84/42 Super Sliding door sash	Meter	5.8	34.8	6	1300	276	286
26		INDS206	uPVC 66/42 Mid-rail for sliding sashes	Meter	5.8	46.4	8	800	170	176
27		INDS207	uPVC 25/22 Sliding Single Glazing Bead	Meter	5.8	174.0	30	252	53	55
28		INDS208	uPVC 9/16 Sliding Double Glazing Bead	Meter	5.8	174.0	30	141	30	31
29		INDS209	uPVC 44/35 Interlock for sliding window sash	Meter	5.8	174.0	30	270	57	59
30		INDS210	uPVC 44/45 Interlock for sliding door sash	Meter	5.8	174.0	30	285	60	63
31	INDS211	uPVC 22/46 Multi-pane adaptor	Meter	5.8	116.0	20	440	93	97	
32	INDS212	uPVC 22/40 Flyscreen sash	Meter	5.8	116.0	20	415	88	91	
33	INDS213	uPVC 60/25 Flyscreen sash	Meter	5.8	92.8	16	635	135	140	
34	INDS214	uPVC 60/25 Mullion For Flyscreen sash	Meter	5.8	92.8	16	565	127	132	
35	INDS215	Upvc 35/20 Mesh Bead Sliding (200 Series)	Meter	5.8	174.0	30	247	53	55	
36	SLIDING 300 SERIES	INDS301	54/46, 2-track Sliding outer frame	Meter	5.8	46.4	8	890	189	196
37		INDS302	96/46, 3-track Sliding outer frame	Meter	5.8	23.2	4	1340	284	295
38		INDS303	80/46, 2.5-track Sliding outer frame	Meter	5.8	23.2	4	1175	249	259
39		INDS304	62/35 Sliding Window Sash	Meter	5.8	46.4	8	865	183	190
40		INDS305	76/35 Sliding Door Sash	Meter	5.8	34.8	6	1025	217	226
41		INDS306	60/35 Mid rail for sliding Sash	Meter	5.8	46.4	8	680	144	150
42		INDS307	Single glazing bead (35mm series)	Meter	5.8	174.0	30	208	44	46
43		INDS308	54/35 Small Sliding window Sash	Meter	5.8	58.0	10	720	153	158
44		INDS309	Interlock for window sash	Meter	5.8	174.0	30	245	52	54
45		INDS310	Interlock for door sash	Meter	5.8	174.0	30	265	56	58
46		INDS311	49/35 Ventilator Casement Frame	Meter	5.8	69.6	12	620	132	136
47		INDS312	26/16 Mesh Bead For (300 Series)	Meter	5.8	174.0	30	250	53	57
48	AUXILIARY 400 SERIES	INDA400	100/6 Upvc Board Panel	Meter	5.8	92.8	16	390	83	86
49		INDA401	160/20 Upvc Board Panel	Meter	5.8	34.8	6	1215	258	267
50		INDA402	100/15 Upvc Board Panel	Meter	5.8	58.0	10	660	140	145
51		INDA403	60/11 Louver For 60 mm Casement	Meter	5.8	104.4	18	360	76	79
52		INDA404	50/16 Louver bead For 60 mm Casement	Meter	5.8	104.4	18	370	78	81
53		INDA405	40/30 A profile	Meter	5.8	104.4	18	450	95	99
54		INDA406	30/10 Geogian bar	Meter	5.8	174.0	30	178	36	37
55		INDA407	65/40 Hurricane bar	Meter	5.8	46.4	8	827	174	180
56		INDA408	37/22 Louver bead For Sliding (200 Series)	Meter	5.8	104.4	18	260	51	53
57	INDA409	48/8 Louver For Sliding (200 Series)	Meter	5.8	104.4	18	260	53	55	

TERMS & CONDITIONS:

- Jurisdiction** :All disputes subject to Alwar(Rajasthan) Jurisdiction only.
- GST & Taxes** : GST & Other Taxes will be charged extra as applicable.
- Payment terms** : 100% in advance before despatch against PI, by RTGS/NEFT.
- Unloading**: the consignment shall be done by the customer at their own cost.
- Price basis**: Above prices are Ex-Works, Alwar, Rajasthan.
- Price change** : PSP Dynamic has right to change the price with one week prior information.
- Packing** : Profiles will be securely packed as per standard packing in bundles. Profiles will not be supplied in loose condition.

PSP LAMINATED PROFILE:-

PSP offers a wide range of laminated options ranging from options in more than 20 colours to wooden textures which suited to your dream home our laminates are imported from Germany. These are most suitable for tropical weather conditions and provide 10 years warranty.

Features :

- Extra weather resistance
- Colour stability
- Impact resistance
- Easy maintenance
- Gloss retention
- Environment friendly

PSP LAMINATED PROFILE COLOUR:-

- **DARK OAK**
- **GOLDEN OAK**
- **MOHAGUNY**
- **WALNUT**
- **STEEL GREY**
- **BLACK**





PSP Dynamic Pvt Ltd

26A, Old Industrial Area, Alwar
Reinforcement Chart

Effective from
01 - Apr. - 2020

Quality Speaks

Sr.No	Steel Reinforcement Codes	uPVC Profiles Codes	uPVC Profile Discription	Drawing Reinforcement	Wt / Mtr (in Kg)		
					Thickness 1.0MM	Thickness 1.2MM	Thickness 1.5MM
1	PSRI001	PSPC104 PSPS201 PSPS202 PSPS204	76/60 T mullion 58/60 2 track sliding outer frame 58/106 3 track sliding outer frame 66/10642 sliding window sash	20	0.508	0.610	0.762
2	PSRI002	PSPC102	78/60 Casement window sash (outward open)	14	0.780	0.936	1.170
3	PSRI003	PSPC103	73/60 Casement window sash (inward open)	9	0.706	0.847	1.059
4	PSRI004	PSPC105 PSPC112	104/60 Casement Door Sash(outward) 104/60 Casement Door Sash(inward)	35	0.840	1.010	1.260
5	PSRI005	PSPC108 PSPE001	French Mullion 50/42 Casement Outer Frame	22	0.460	0.552	0.690
6	PSRI006	PSPC110	88.5/60 Bay Pole (90 deg) (2.5 Mtr Length)	45	0.930	1.115	1.395
7	PSRI007	PSPC111 PSPS213 PSPS206	60/56 Z mullion 60/25 Flyscreen Sash 66/42 Mid Rail for sliding Sash	16	0.620	0.744	0.930
8	PSRI008	PSPS205 PSPC101	84/42 Sliding door sash 60/60 casement outer frame	21	0.564	0.677	0.846
9	PSRI009	PSPE002	75/42 Fixed and slide frame	10	0.286	0.343	0.429
10	PSRI010	PSPS305 PSPS306	76/35 Sliding Door Sash 60/35 Mid rail for Sliding Sash	12	0.478	0.574	0.717
11	PSRI011	PSPS301 PSPS302 PSPS303 PSPS304 PSPS203 PSPE003	56/46 2 Track sliding outer frame 96/46 3 Track sliding outer frame 80/46 2.5 Track sliding outer frame 62/35 Sliding Window Sash 50/88 2.5 Track sliding outer frame 56/42 Sliding Window Sash	12	0.338	0.405	0.505
12	PSRI012	PSPS212	40/21.5 Flyscreen sash	10	0.290	0.348	0.435



Quality Speaks

Manufactured by: PSP Dynamic Pvt. Ltd.

Head Office: 2nd, Floor A-27, Sector 67, Noida (UP) INDIA +91-120-3100329 / 4277674 +91 8058591436 / 8824900412 / 8824900437 / 8824900411 / 8824900422 / 8824900429

Works: 26-A & A-27 Old Industrial Area, Alwar (Raj) India +91- 144-2945600/+91 8824900431/35

Branch Offices :

GUWAHATI : Shine Towers, Arya Chowk, Si Road, Guwahati - 781008 + 91-9864038101 / 9435073291 / 8824900424 / 8851032245 | **BANGALORE :** 90/2 Punyakoti Farm, Village - Kogilu, Yelahanka Bengaluru + 91-8824900414 / 8824900441 / 8824900442 | **HYDERABAD :** Sy No. 5, H.No. 6-135/2/3 Bowrampet, Hyderabad-500043 + 91-8824900414 / 8824900441 / 9333029999 | **BHUVNESHWAR:** 8824900410 / 8824900424 | **NAGPUR :** 24, New Shanti Nagar Society, Near Mahapragyan Buddh Vihar, Madhavi Layout, Dabha, Nagpur-440023, Maharashtra, 8824900454 / 8824900414 | **PATNA :** 9430606921 / 9219602028 / 8824900416 | **RAJASTHAN & GUJRAT :** 8824900455 / 8824900412 | **KATHMANDU :** +977-9821621756 / 8824900410 | **DHAKA :** 8824900412 / 8824900410

An ISO 9001:2015, ISO 14001:2015 & OHSAS ISO 45001:2018 Certified Organization



www.pspdynamice.com



info@pspdynamice.co



8824900411, 120-3100329