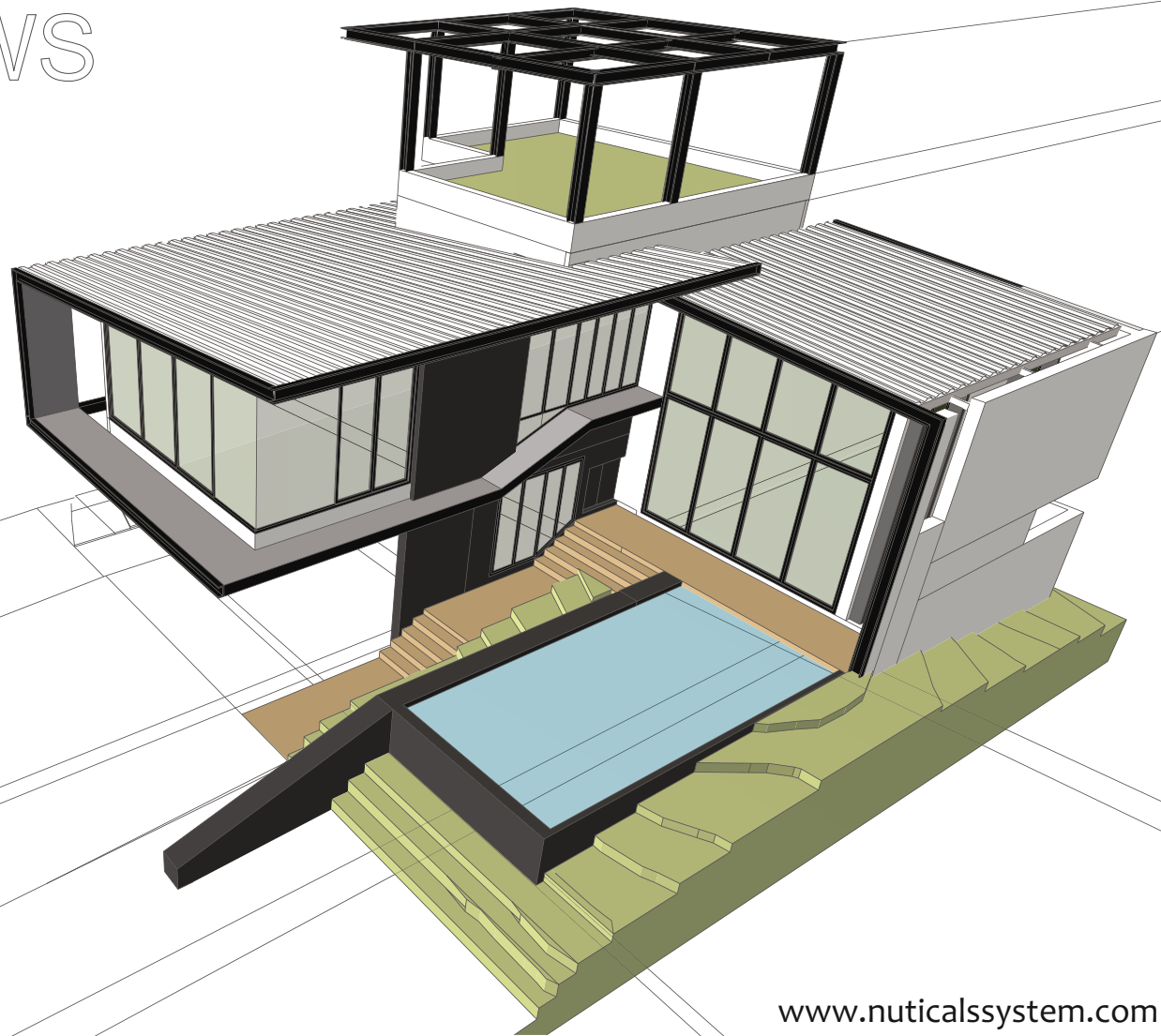


LUXURY ALUMINIUM DOORS & WINDOWS





IMPECCABLY DESIGNED WORLD'S MOST
STYLISH SYSTEM WINDOWS

www.nauticalssystem.com



SYSTEMATIC WINDOWS AND SLIDING SYSTEM

System 1 : Slimo 80

System 2 : Sky Track

System 3 : Drift System

System 4 : N 27 Altra

System 5 : N 27 Slim

System 6 : N 40 Slim

System 7 : N Minimal Altra



Slimo 80mm



Large field of view, giving you a wide range of unprecedented

NARROW SIDE SLIDING DOOR

SYSTEM TECHNICAL SPECIFICATION Slimo 80MM

PROFILE ALLOY	6063/T5
POLYAMIDE WIDTH (mm)	NA
GLASS THICKNESS (mm)	24 DGU
MAX SQM/SHUTTER	19
MAX HEIGHT SHUTTER* (mm)	5000
MULTI LOCKING	YES
MAXIMUM WEIGHT OF EACH SHUTTER (KGS)	500
MOSQUITO MESH SOLUTION	YES
HIDDEN BOTTOM	YES
CORNER FREE OPENING	YES
MOTORIZATION	NO
THERMAL BREAK	NO

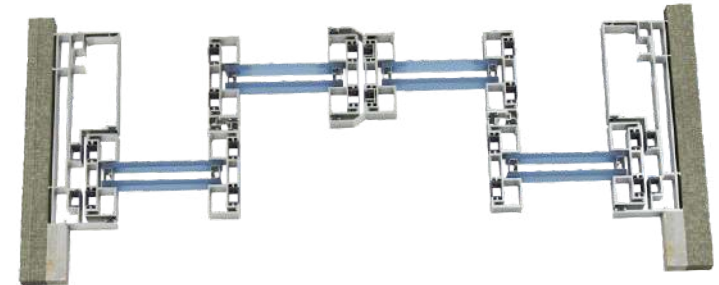
TEST REPORTS

SOUND INSULATION	UP TO 30 DB
DESIGN WATER RESISTANCE	CLASS 1000 PA
WIND LOAD PRESSURE	CLASS 2.2 TO 2.6 KPA

SERIES Slimo 80mm



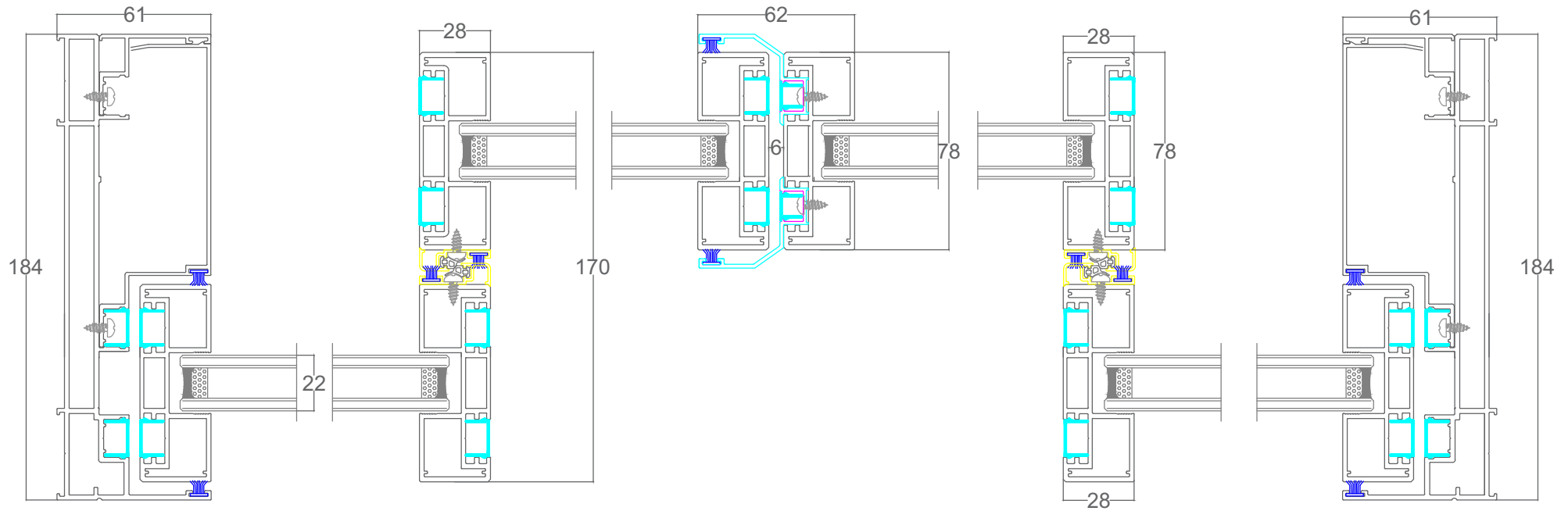
HORIZONTAL VIEW



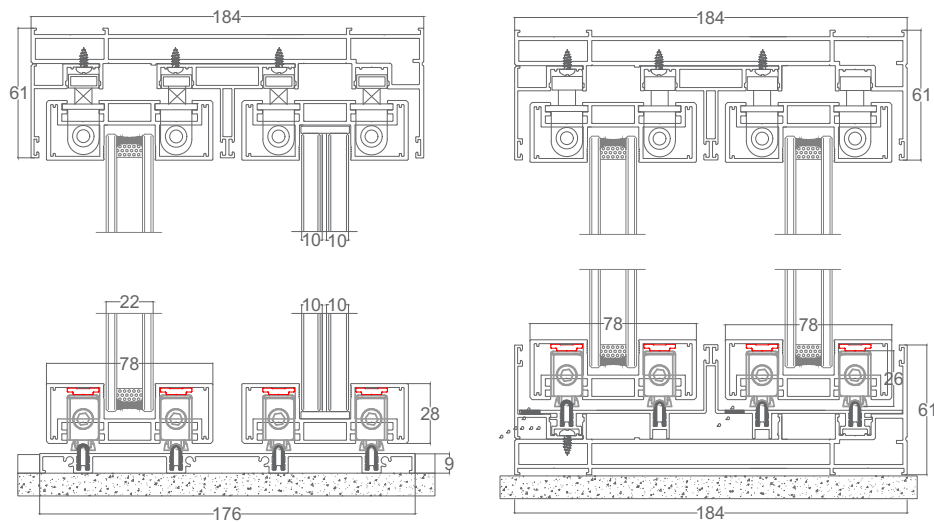
VERTICAL VIEW



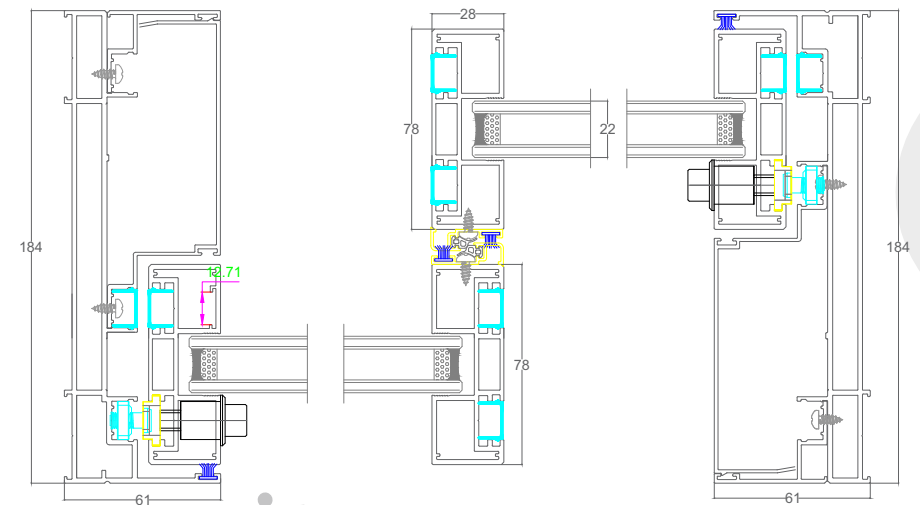
HORIZONTAL VIEW



VERTICAL VIEW



HORIZONTAL VIEW



SAFETY GUARDIAN HEALTH

HOME GUARD



Sealing performance

Water tightness, air tightness,
Strong winds resistance, heavy rains, sand and dust,
Create warm ambient,
Comfortable living space.



Insulation performance

Multi-cavity structure and low thermal conductivity material,
Excellent thermal insulation performance,
Energy saving up to 70%.



Wind Load Resistance

Wind pressure resistance reaches level 9,
High strength-compressive properties,
Resistant to severe natural disasters.



Energy saving and environmental protection

The aluminum alloy profile thermally broken uses new thermal insulation materials.
The energy saving and environmental protection performance is excellent,
and the comprehensive performance of heat insulation,
heat preservation and waterproofing complies with
the highest level of quality in the domestic and
foreign window and door system industry.



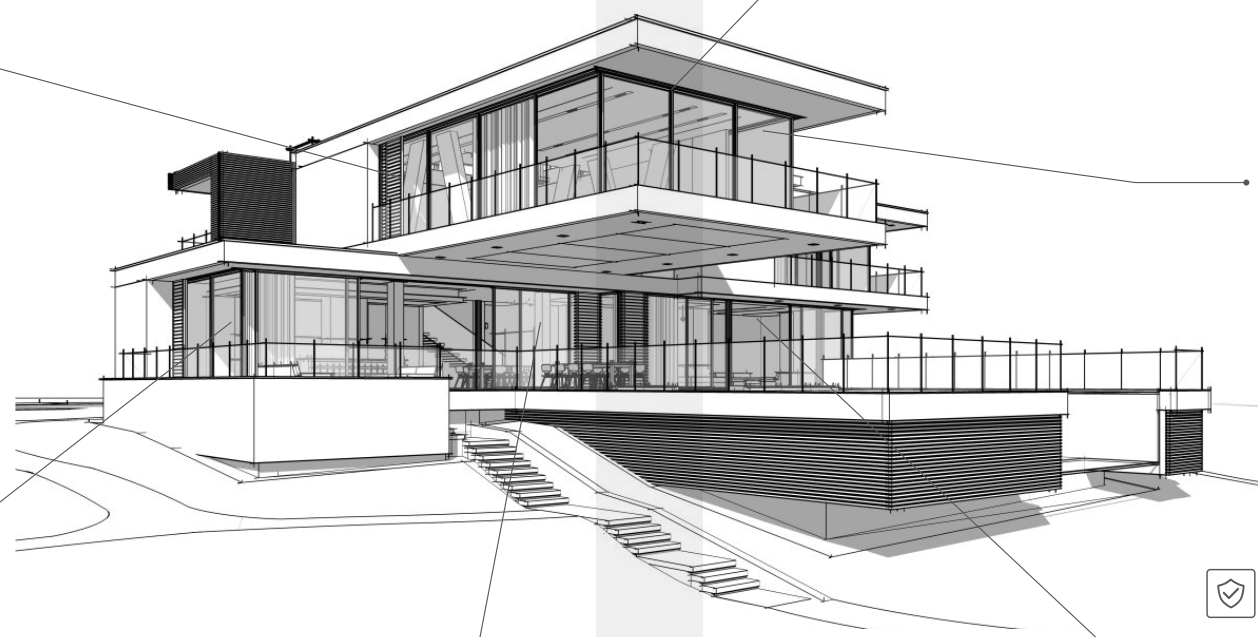
Sound insulation performance

The multi-cavity structure is sealed with multiple gaskets,
and the sound insulation is as high as 36dB, which can
ensure tranquility and comfort even in the busy city.

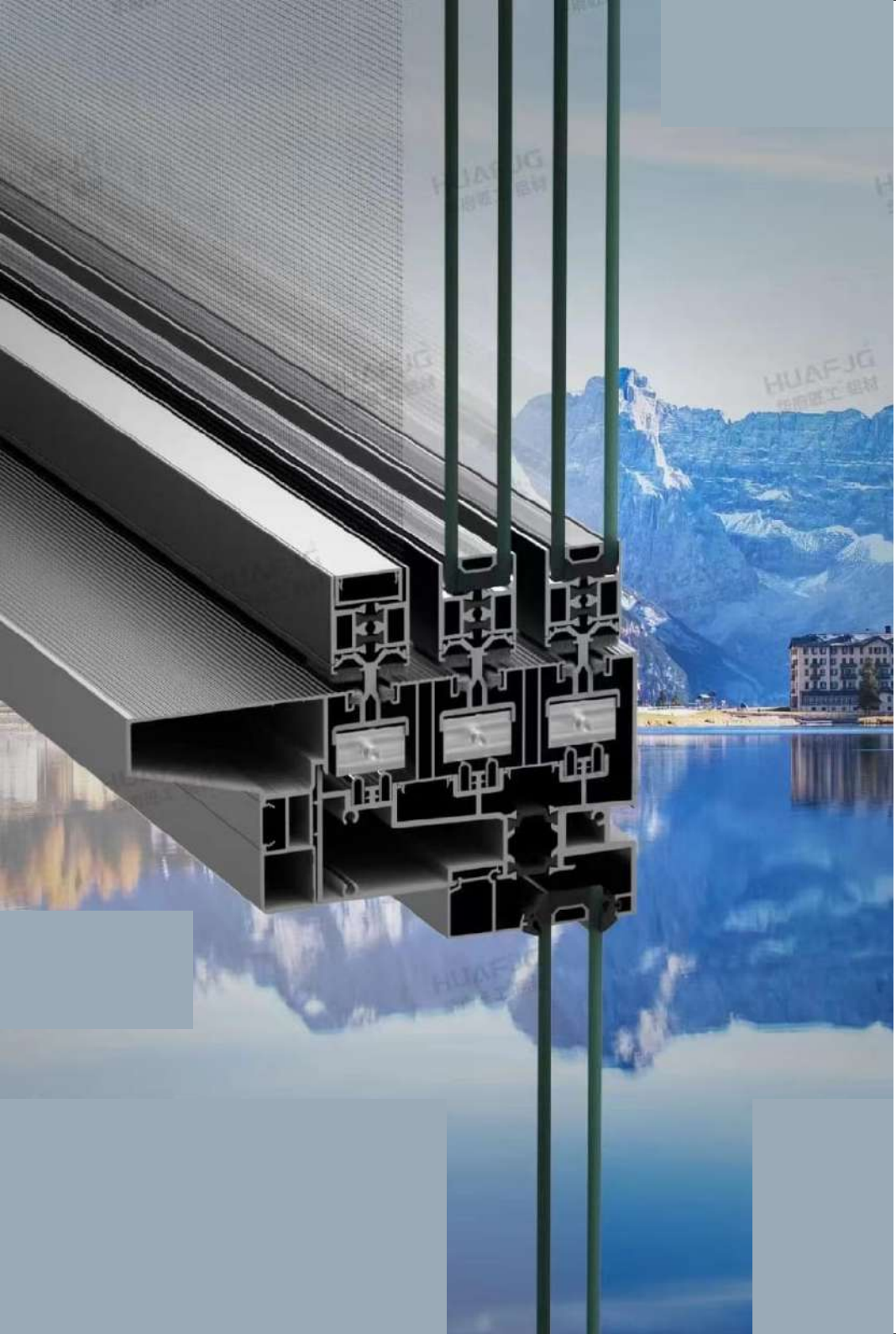


Secure and anti-theft

High-quality hardware, anti-theft design, safety protection,
Protect your home

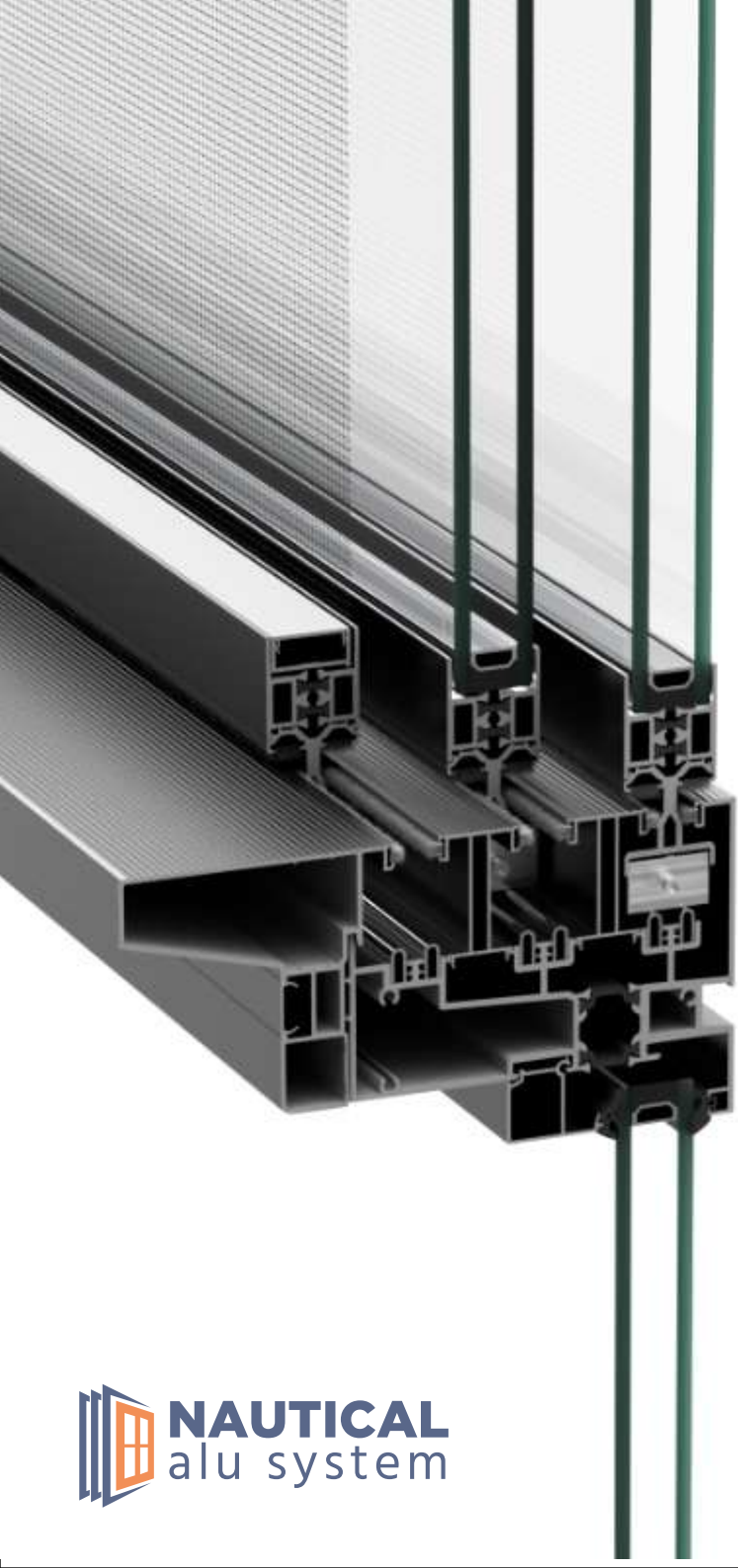


6 product performance advantages—Safeguarding family health



SERIES Sky Track





FOR HIGH RISE

SERIES SKY TRACK

THERMAL BREAK SYSTEM





HIGH-THROUGH GAUZE

Easy to process and cut, reduce manpower loss
 Long lifespan, corrosion resistant (coastal, invisible HD, anti-mosquito and insect-proof)
 High-definition field of view, clear visibility from indoor to outdoor.

PAGE-68

Panorama

304 STAINLESS STEEL

Effectively defends from mosquitoes nuisance
 At the same time, it does not hinder the circulation of air and has a certain anti-theft ability.

• Anti-theft diamond mesh

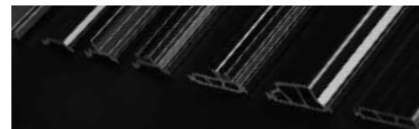
PAGE-69



SUPER SOUNDPROOF

The use of super-sealed automotive grade 3C fully tempered insulating glass used on high-speed railways. The chamber can be equipped with laminated anti-theft glass. The glass with interlayer is not easy to break, and can have anti-theft function, explosion-proof and bullet-proof. The double chamber is more effective in terms of sound and heat insulation. Waterproof, anti-fog and anti-mildew.

PAGE-66



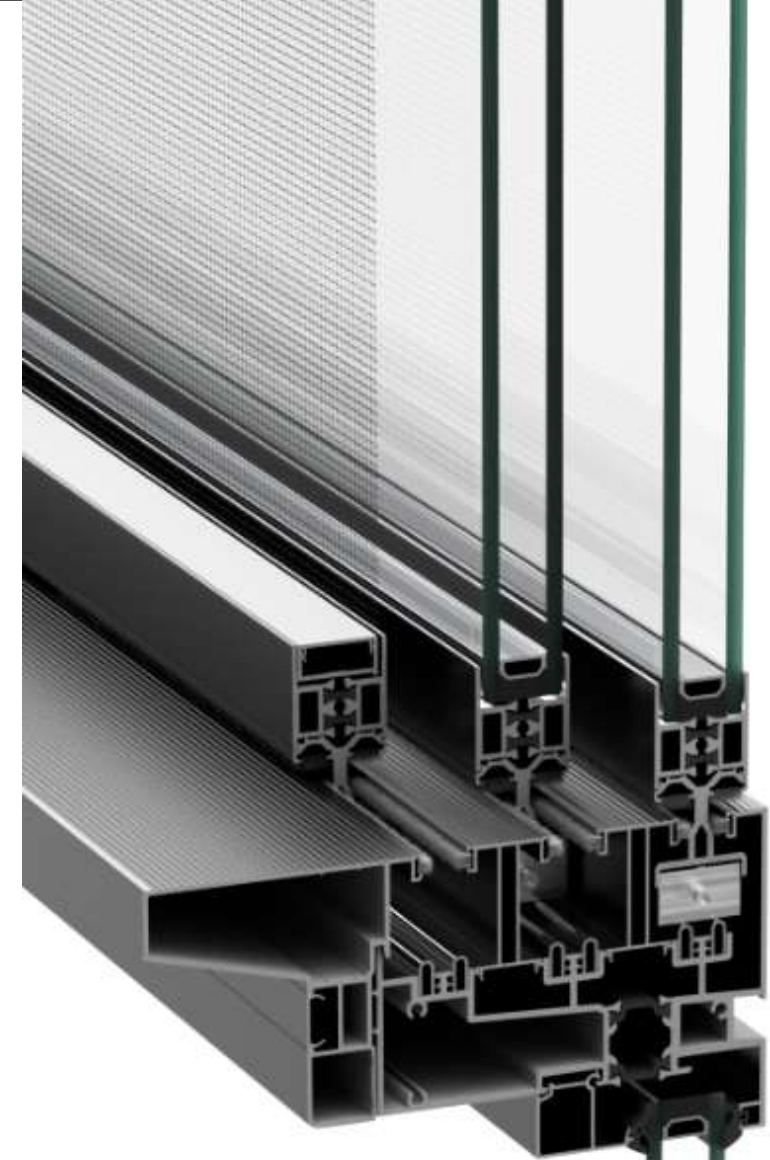
INSULATION STRIP

Essential heat insulation strips for door and window
 Effectively block heat conduction to enhance heat preservation and insulation
 Excellent weather resistance and corrosion resistance
 Effectively block the air and water leakage from the inside and outside.
 Offer function of sound insulation and water blocking
 Use the principle of pressure balance to drain water through the drain hole

PAGE-67

PAGE-70

Panorama



BIG VISION AND BIG FUTURE

SYSTEM TECHNICAL SPECIFICATION Sky Track

PROFILE ALLOY	6063/T5
POLYAMIDE WIDTH (mm)	NA
GLASS THICKNESS (mm)	24 DGU
MAX SQM/SHUTTER	3
MAX HEIGHT SHUTTER* (mm)	2400
MULTI LOCKING	YES
MAXIMUM WEIGHT OF EACH SHUTTER (KGS)	100
MOSQUITO MESH SOLUTION	YES
HIDDEN BOTTOM	YES
CORNER FREE OPENING	NO
MOTORIZATION	NO
THERMAL BREAK	YES

TEST REPORTS

SOUND INSULATION	UP TO 30 DB
DESIGN WATER RESISTANCE	CLASS 1000 PA
WIND LOAD PRESSURE	CLASS 2.2 TO 2.6 KPA

SERIES Sky Track

HORIZONTAL VIEW



VERTICAL VIEW



VERTICAL VIEW

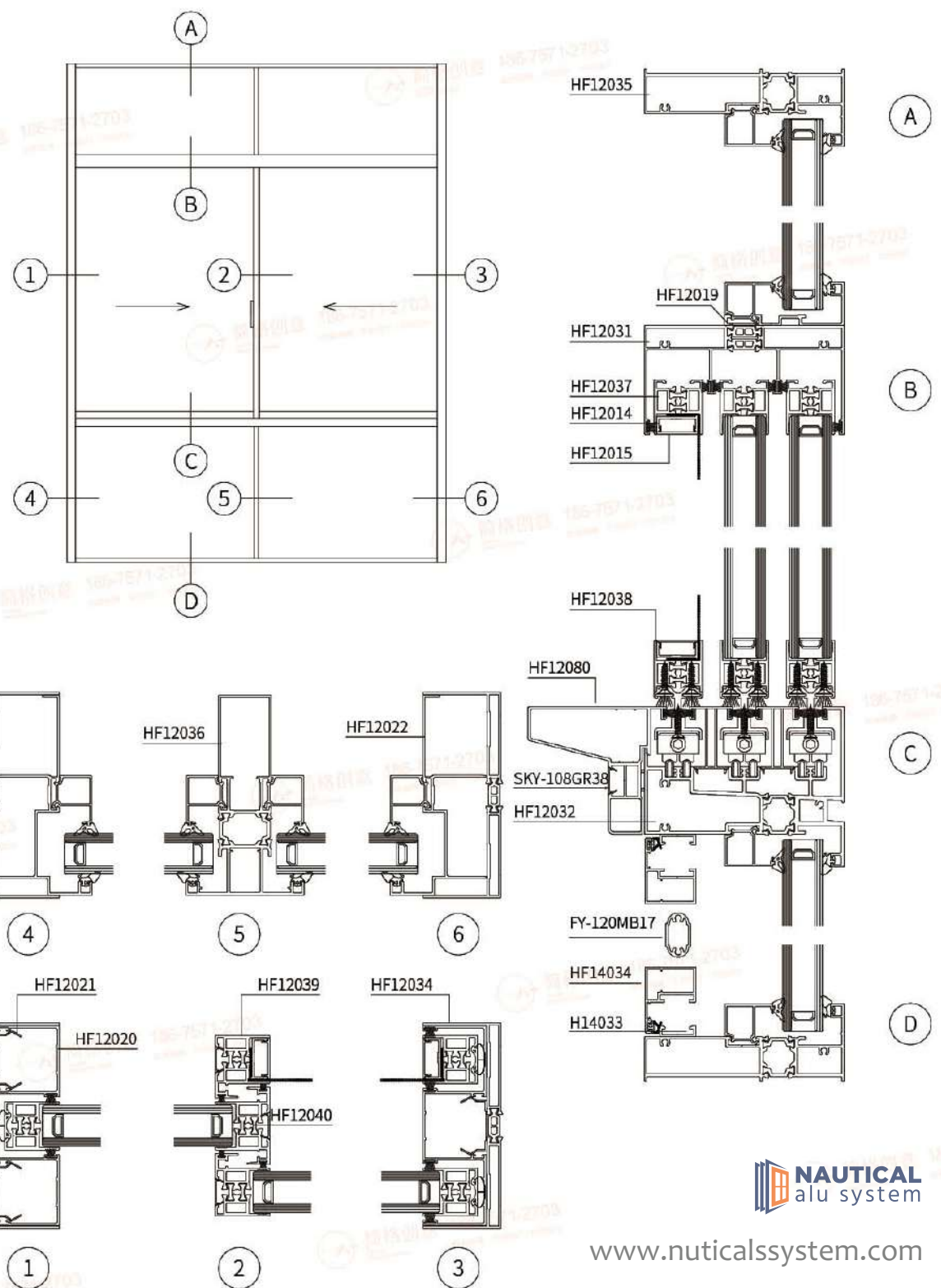


HORIZONTAL VIEW



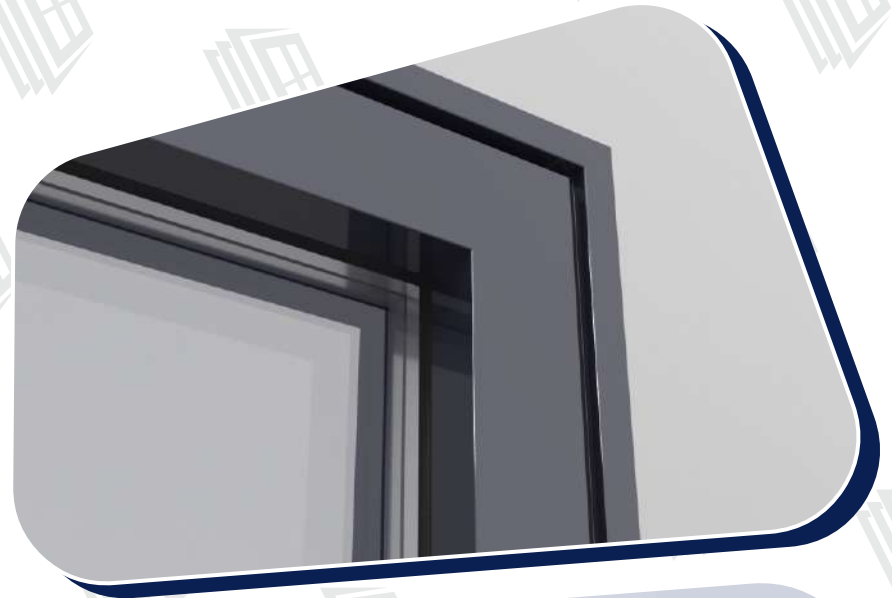
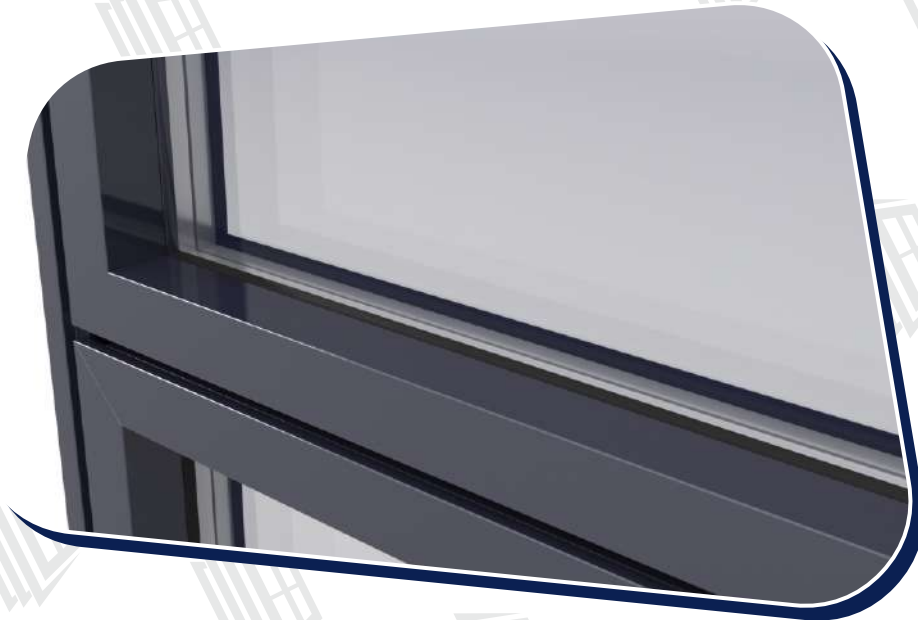
SERIES FOR HIGH RISE SKY TRACK

THERMAL BREAK SYSTEM



Drift, Slide & Turn window





N 27 Altra

PREMIUM
Looks



SYSTEM TECHNICAL SPECIFICATION N 27 ALTRA

PROFILE ALLOY	6063/T6
POLYAMIDE WIDTH (mm)	NA
GLASS THICKNESS (mm)	5, 6, 8
MAX SQM/SHUTTER	4
MAX HEIGHT SHUTTER* (mm)	2800 WITH KPA
MULTI LOCKING	YES
MAXIMUM WEIGHT OF EACH SHUTTER (KGS)	140
MOSQUITO MESH SOLUTION	YES
HIDDEN BOTTOM	NOT POSSIBLE
CORNER FREE OPENING	YES
MOTORIZATION	NO
THERMAL BREAK	NO

TEST REPORTS

SOUND INSULATION	UP TO 25 DB
DESIGN WATER RESISTANCE	CLASS 1000 PA
WIND LOAD PRESSURE	CLASS 3000:3800 PA

SERIES N 27 ALTRA

HORIZONTAL VIEW



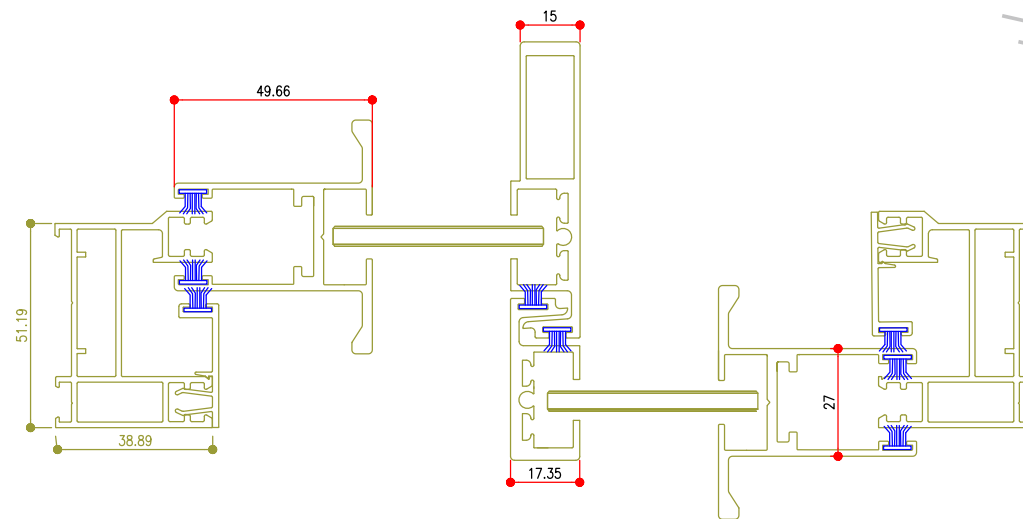
VERTICAL VIEW



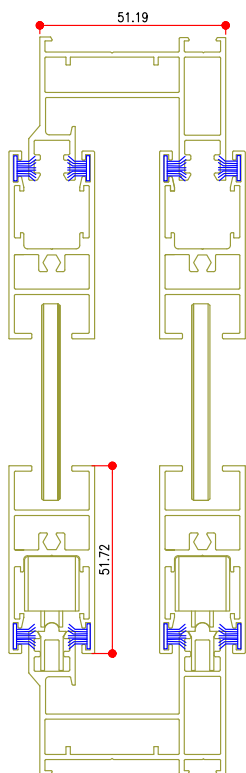
HORIZONTAL VIEW



SERIES N 27 ALTRA



WIDTH



HEIGHT

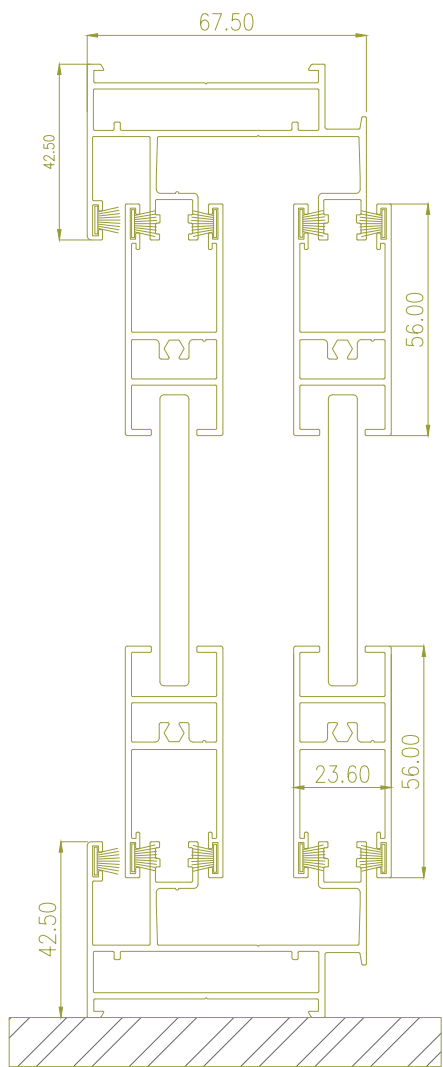
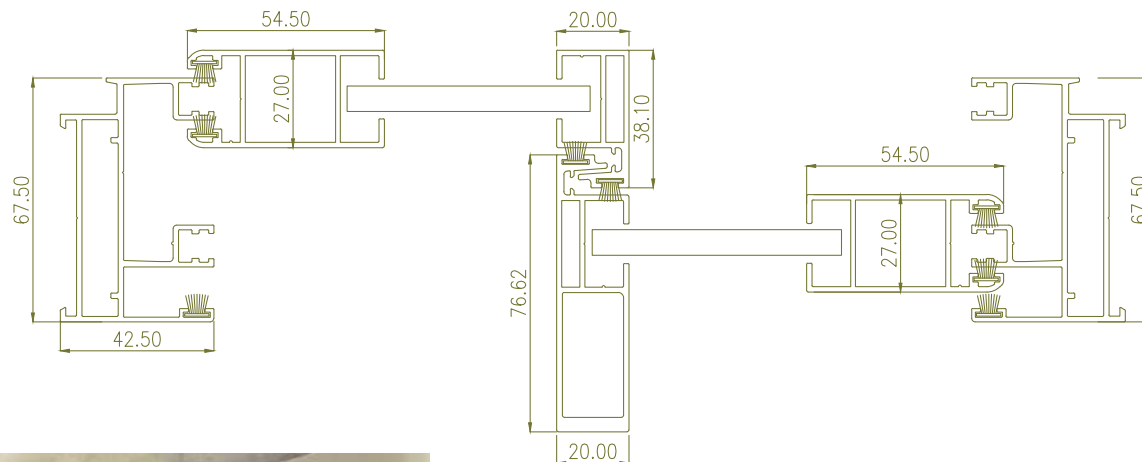




EXCELLENCE



SERIES N 27SLIM



SYSTEM TECHNICAL SPECIFICATION N 27 SLIM

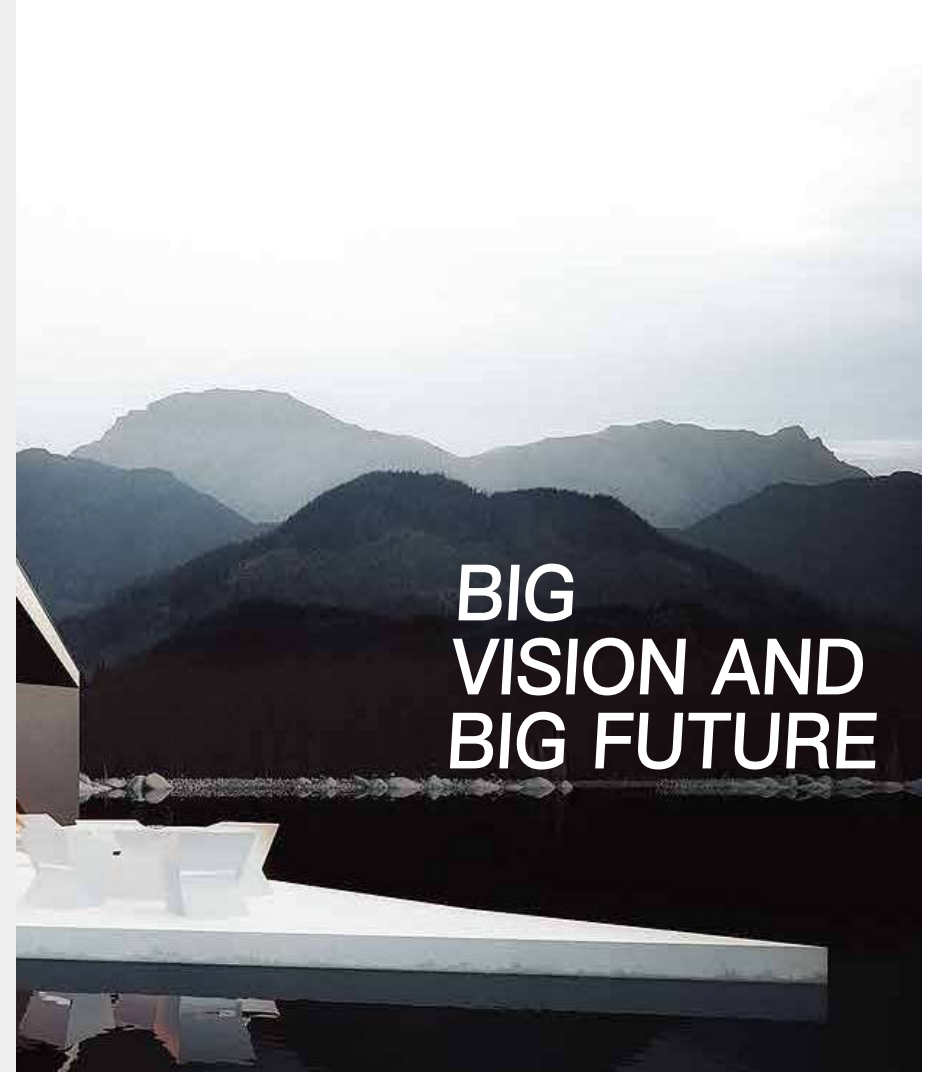
PROFILE ALLOY	6063/T6
POLYAMIDE WIDTH (mm)	NA
GLASS THICKNESS (mm)	5, 6, 8
MAX SQM/SHUTTER	4
MAX HEIGHT SHUTTER* (mm)	2800 WITH KPA
MULTI LOCKING	YES
MAXIMUM WEIGHT OF EACH SHUTTER (KGS)	140
MOSQUITO MESH SOLUTION	YES
HIDDEN BOTTOM	NOT POSSIBLE
CORNER FREE OPENING	YES
MOTORIZATION	NO
THERMAL BREAK	NO

TEST REPORTS

SOUND INSULATION	UP TO 25 DB
DESIGN WATER RESISTANCE	CLASS 1000 PA
WIND LOAD PRESSURE	CLASS 3000:3800 PA

SERIES N 27 SLIM





**BIG
VISION AND
BIG FUTURE**

SYSTEM TECHNICAL SPECIFICATION N 40 SLIM

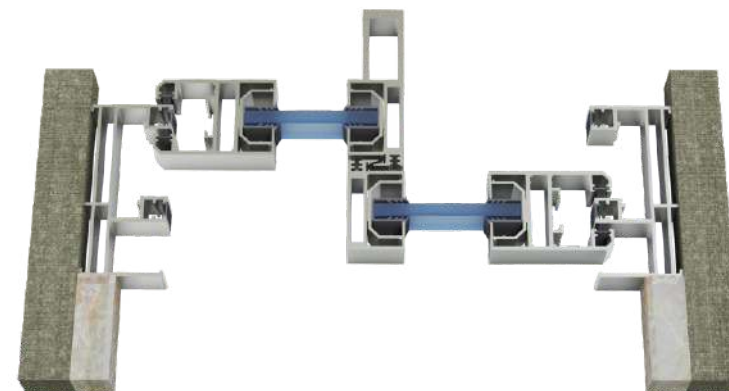
PROFILE ALLOY	6063/T6
POLYAMIDE WIDTH (mm)	NA
GLASS THICKNESS (mm)	5, 6, 8, 24
MAX SQM/SHUTTER	4
MAX HEIGHT SHUTTER* (mm)	3000 WITH KPA
MULTI LOCKING	YES
MAXIMUM WEIGHT OF EACH SHUTTER (KGS)	160
MOSQUITO MESH SOLUTION	YES
HIDDEN BOTTOM	NOT POSSIBLE
CORNER FREE OPENING	YES
MOTORIZATION	NO
THERMAL BREAK	NO

TEST REPORTS

SOUND INSULATION	UP TO 25 DB
DESIGN WATER RESISTANCE	CLASS 1000 PA
WIND LOAD PRESSURE	CLASS 1.2 TO 1.4 KPA

SERIES N 40 SLIM

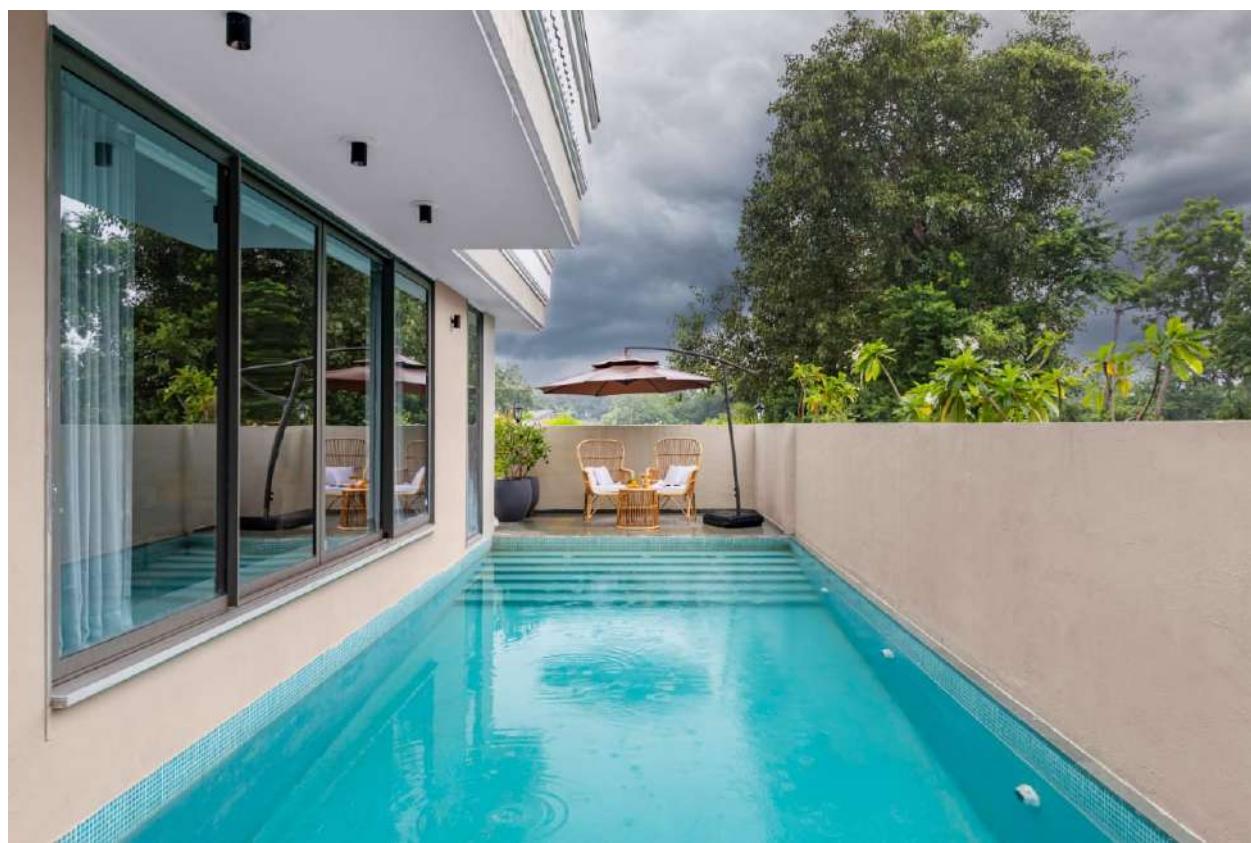
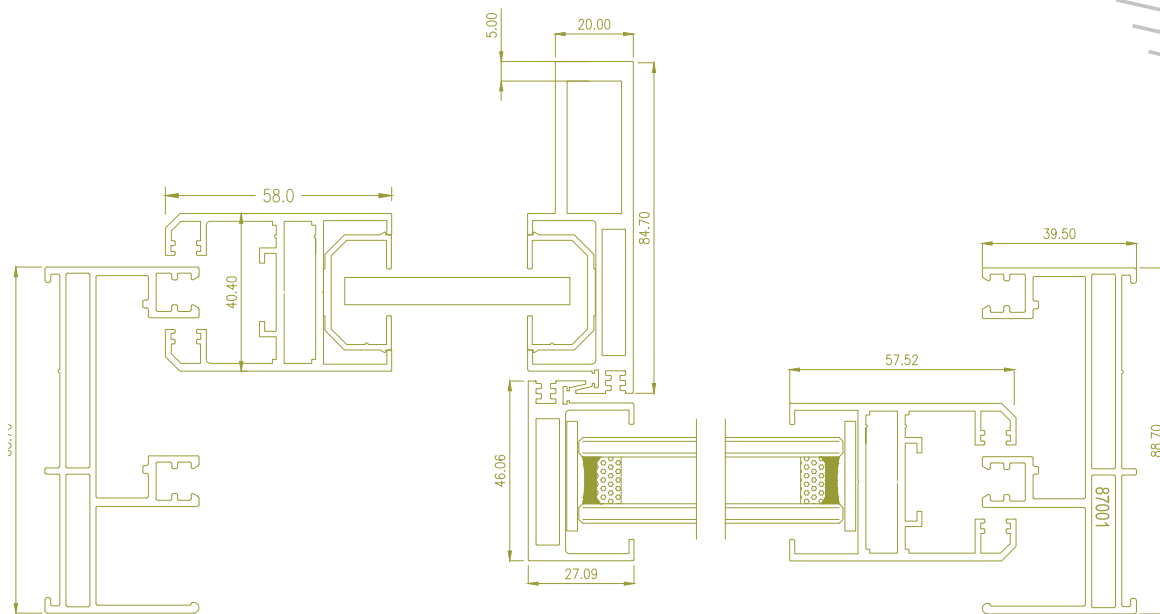
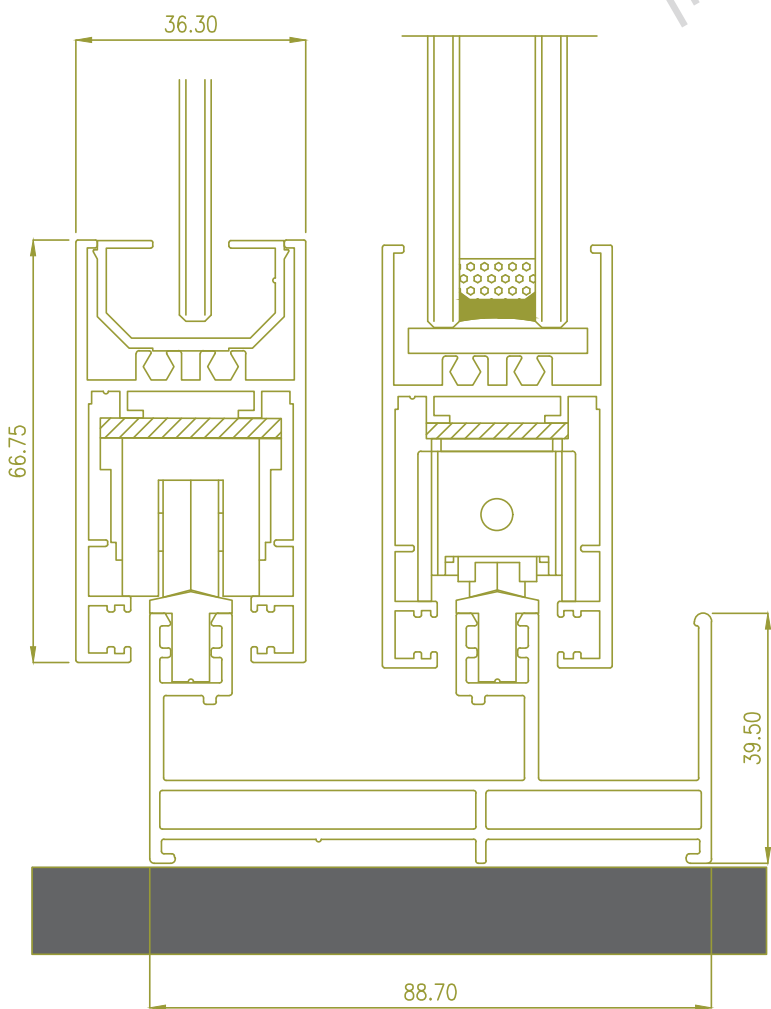
HORIZONTAL VIEW

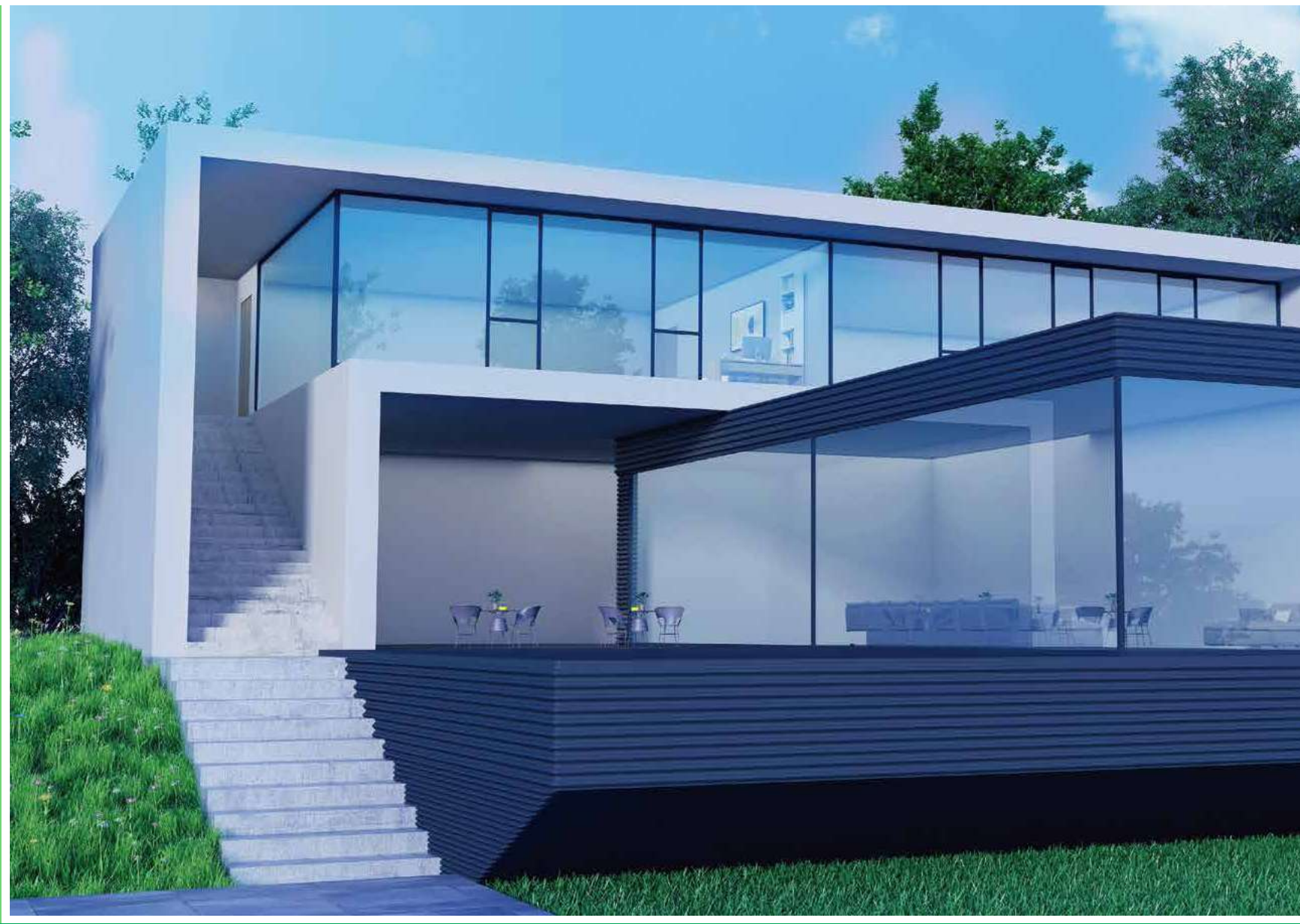


VERTICAL VIEW



SERIES N 40 SLIM





N MINIMAL ALTRA

SYSTEM TECHNICAL SPECIFICATION N Minimal Altra

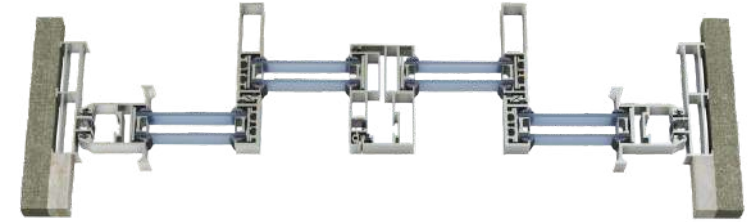
PROFILE ALLOY	6063/T6
POLYAMIDE WIDTH (mm)	NA
GLASS THICKNESS (mm)	5 TO 24
MAX SQM/SHUTTER	6
MAX HEIGHT SHUTTER* (mm)	3800 WITH KPA
MULTI LOCKING	YES
MAXIMUM WEIGHT OF EACH SHUTTER (KGS)	300
MOSQUITO MESH SOLUTION	YES
HIDDEN BOTTOM	NOT POSSIBLE
CORNER FREE OPENING	YES
MOTORIZATION	NO
THERMAL BREAK	NO

TEST REPORTS

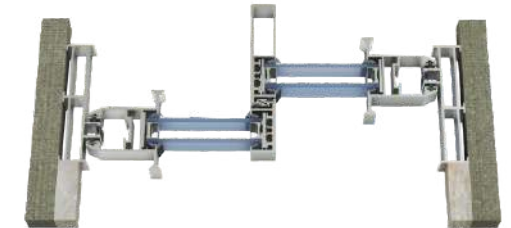
SOUND INSULATION	UP TO 20 DB
DESIGN WATER RESISTANCE	CLASS 1000 PA
WIND LOAD PRESSURE	CLASS 1.8 TO 2.4 KPA

SERIES N Minimal Altra

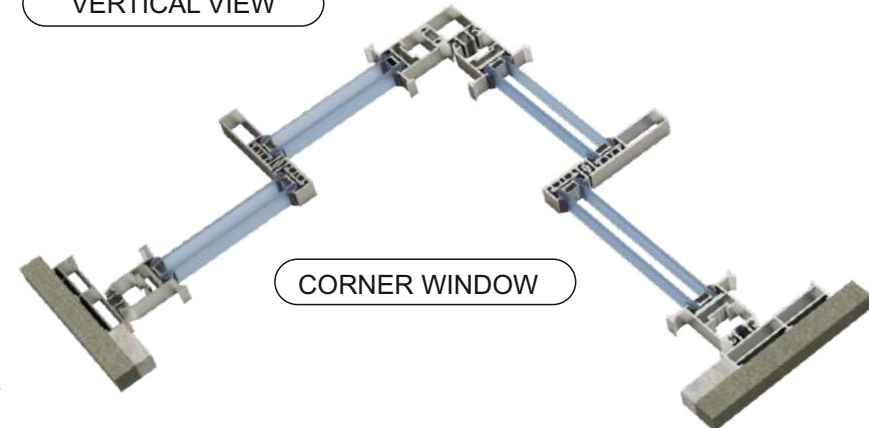
HORIZONTAL VIEW



VERTICAL VIEW



HORIZONTAL VIEW

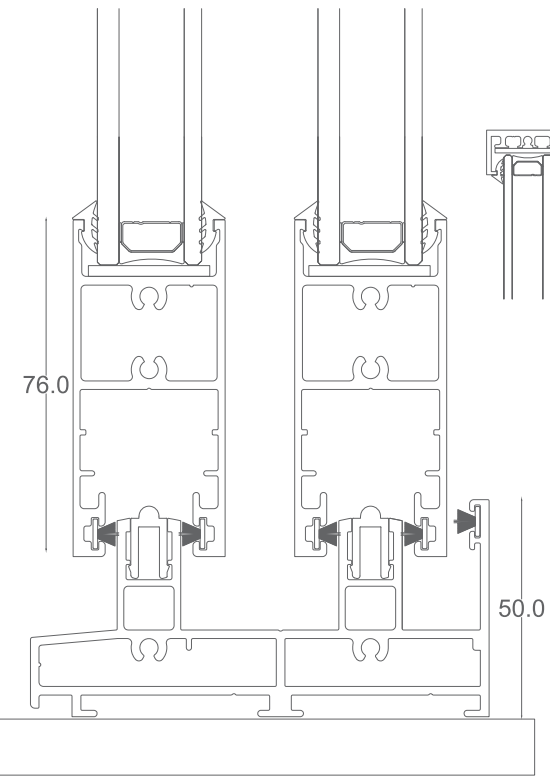
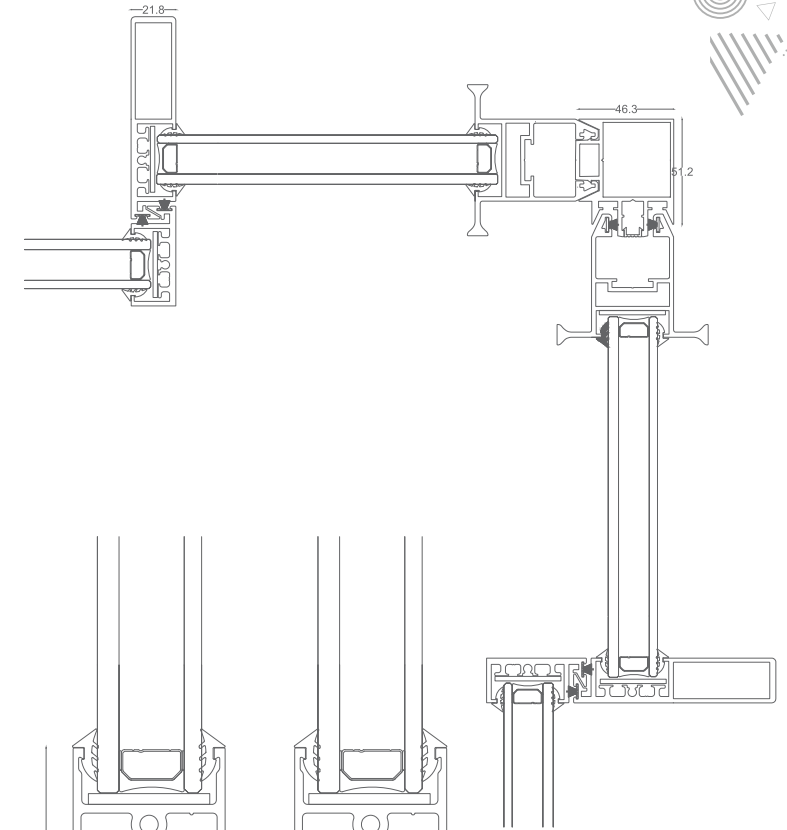
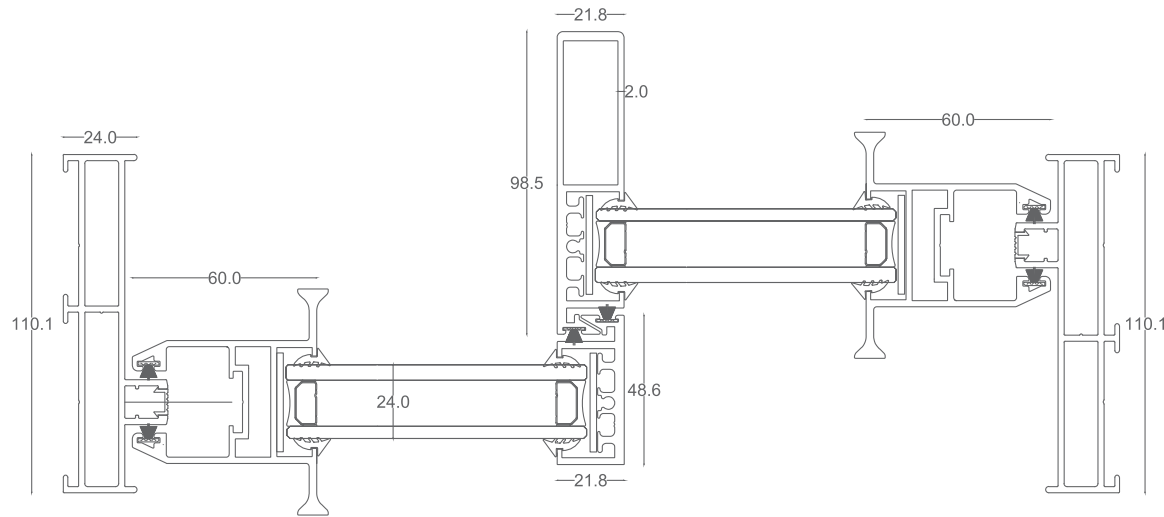


CORNER WINDOW

SERIES

N MINIMAL ALTRA

SLIM SYSTEM







Phone

+91 99090 47088 | +91 99090 47091
+91 99090 47090

Email

info@nauticalalusystems.com

Address

Showroom TF-13, Phoenix resi-com, opp
sunrise complex vaikunth char rasta
waghodia road vadodra gujarat
India-390019

Address

Exclusive Showrrom Factory Address
Suvas Industrial Park, Plot No. 51,
B/h SVM International School, Moriya
Railway Crossing, Moriya Gam, Ahmedabad
382213, Gujarat, India, M. +91 70166 37722

www.nauticalalusystems.com

