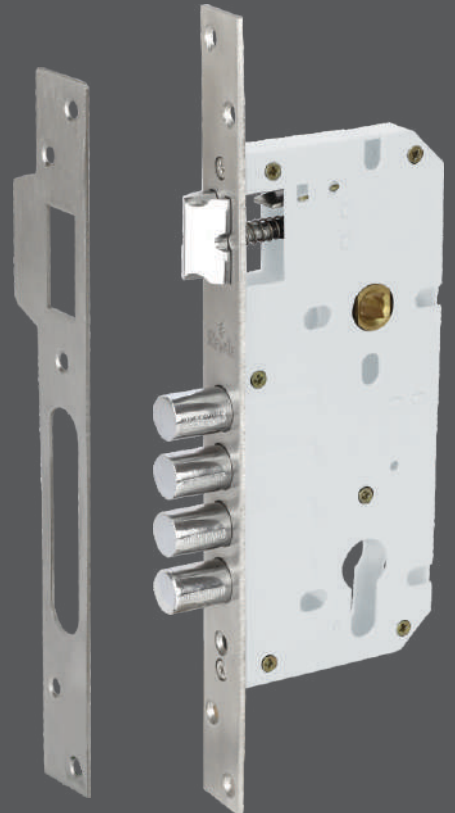




REYALE®

lock your WORRIES AWAY...

- EURO PROFILE CYLINDER
- MORTISE LOCKS
- MORTISE HANDLES
- Pull HANDLES





Brand History

REYALE in the present-time has become a name to reckon with. It is not only considered as the foremost manufacturer & supplier of Architectural Hardware, High Level Security Solutions in India, but is also looked upon as an Organization/Entity of Class-Quality-Commitment-Trust.

The organization which was initiated by Mr. SHAFIQ UR REHMAN SAIFEE: Founder & MD of MALIK ENTERPRISES, in the year 2013 with a humble initial investment of Rs. 1 cr, and with a passion & desire to come up with something uniquely creative and made with world class technology, today has victoriously made its presence felt in India and abroad. MALIK ENTERPRISES has indeed come a long, successful and glorious way to be considered as an epitome of 'Class & Quality'... and its success-story is considered as the most genuine material for Case Studies (for business success & transformation), by many across the industries.

Company

MALIK ENTERPRISES is a young dynamic company offering Architectural Hardware Solutions through a wide range of standard and customized products. A solution centric approach has enabled us to grow from strength to strength and becoming India's most popular Architectural Hardware Solution provider. Our focus on international standards has enabled us to establish a state-of-the-art manufacturing facility and simultaneously raise the entire work ethics as per global standards and best practices. We have a team of in-house architects and product designers who understand the design intent of our customers and after combining it with value engineering and practical utility, we try to deliver desired results at the right value. Our strong R&D and quality team ensures that the products adhere to stringent quality benchmarks. Customers form an integral part of our value system. A dedicated customer care and logistic network backed by SAP and a strong IT support enable us to supply products and services in time with proper after sales support. Malik Enterprises manufacturing facility is a combination of modern CNC and robotic machines along with automatic finishing lines, which allow us to offer high quality with consistent finish in our stainless steel products. We have invested heavily in energy-efficient and pollution control measures as a part of our social responsibility. At Malik Enterprises, stress is also laid on following the international HR Standards. Child Labor is strictly prohibited in all divisions of the company. The company also takes special care in waste disposal and thereby adheres to environmental friendly techniques in Production.

ONE SIDE KEY CYLINDER

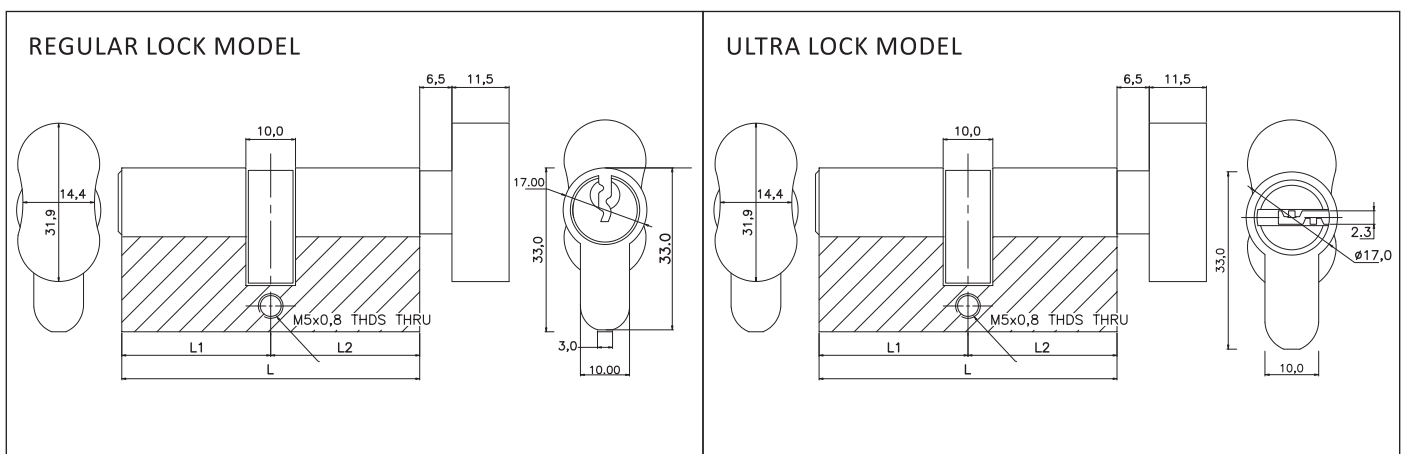


Euro profile key and knob cylinder can be operated with the help of key from one side and with a thumb turn knob on the other side. This function of the cylinder provides controlled access of the door from one side with the key and easy access with a knob on the other side. The key and knob cylinder is suitable for locations which require controlled access from one side and keyless access from the other side.



MODEL	CYLINDER LENGTH (L) MM	DOOR THICKNESS MM
RE60R02	60	32-38
RE70R02	70	39-48
RE80R02	80	49-58
RE90R02	90	59-68
RE100R02	100	69-78

SS Finish with Ultra Key
Model : RE80U02



OFFSET CYLINDER

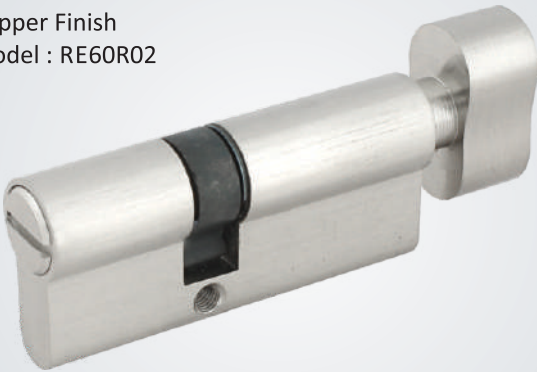
SS Finish with Ultra Key
Model : RE80U02



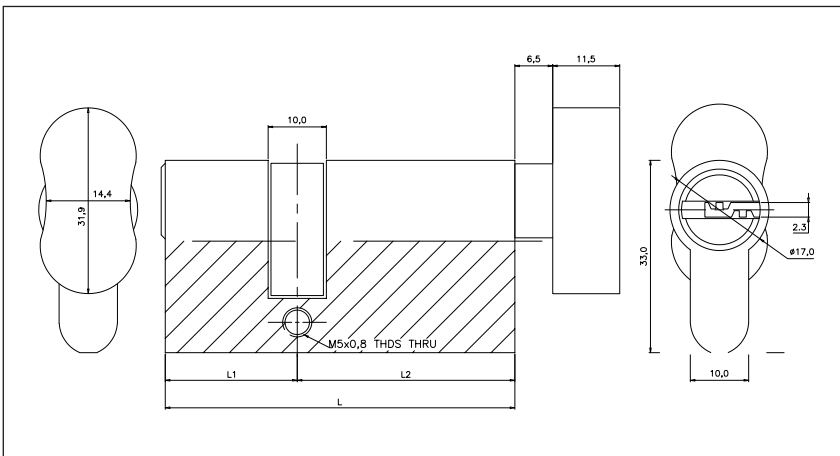
SS Finish with Ultra Key
Model : RE70U01



Copper Finish
Model : RE60R02

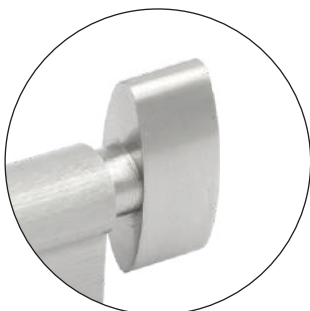


Copper Finish
Model : RE60R02



MODEL	CYLINDER LENGTH (L) MM	DOOR THICKNESS MM
RE60R02	60	32-38
RE70R02	70	39-48
RE80R02	80	49-58
RE90R02	90	59-68
RE100R02	100	69-78

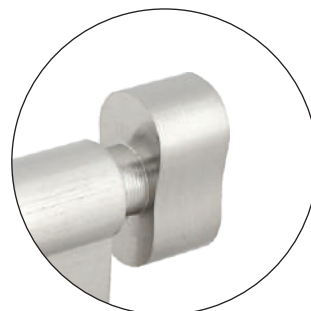
Knob-1



Knob-2



Knob-3



Knob-4



BOTH SIDE KEY CYLINDER



Euro profile both side key cylinder can be operated only with the help of key from both its sides. This function of the cylinder provides controlled access of the door from either side with the help of 3 keys provided. The both side key cylinder is suitable for locations which require controlled access from both the sides of the door. We are the manufacturer and supplier of EURO PROFILE BOTH SIDE KEY CYLINDER in India.



SS Finish with Ultra Key
Model : RE70U01

MODEL	CYLINDER LENGTH (L) MM	DOOR THICKNESS MM
RE60R01	60	32-38
RE70R01	70	39-48
RE80R01	80	49-58
RE90R01	90	59-68
RE100R01	100	69-78



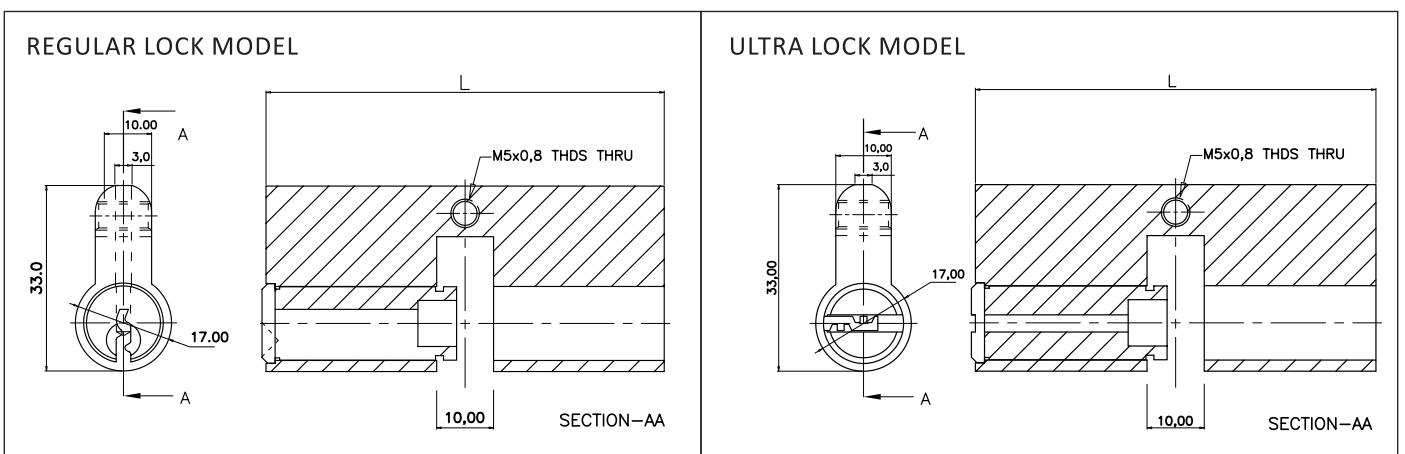
Matt Black Finish
Model : RE70R01



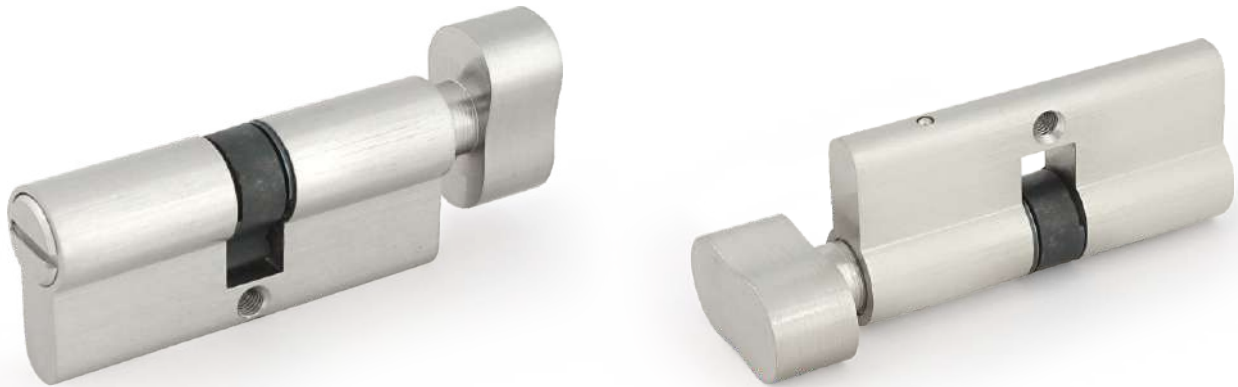
BPL Finish
Model : RE70R01



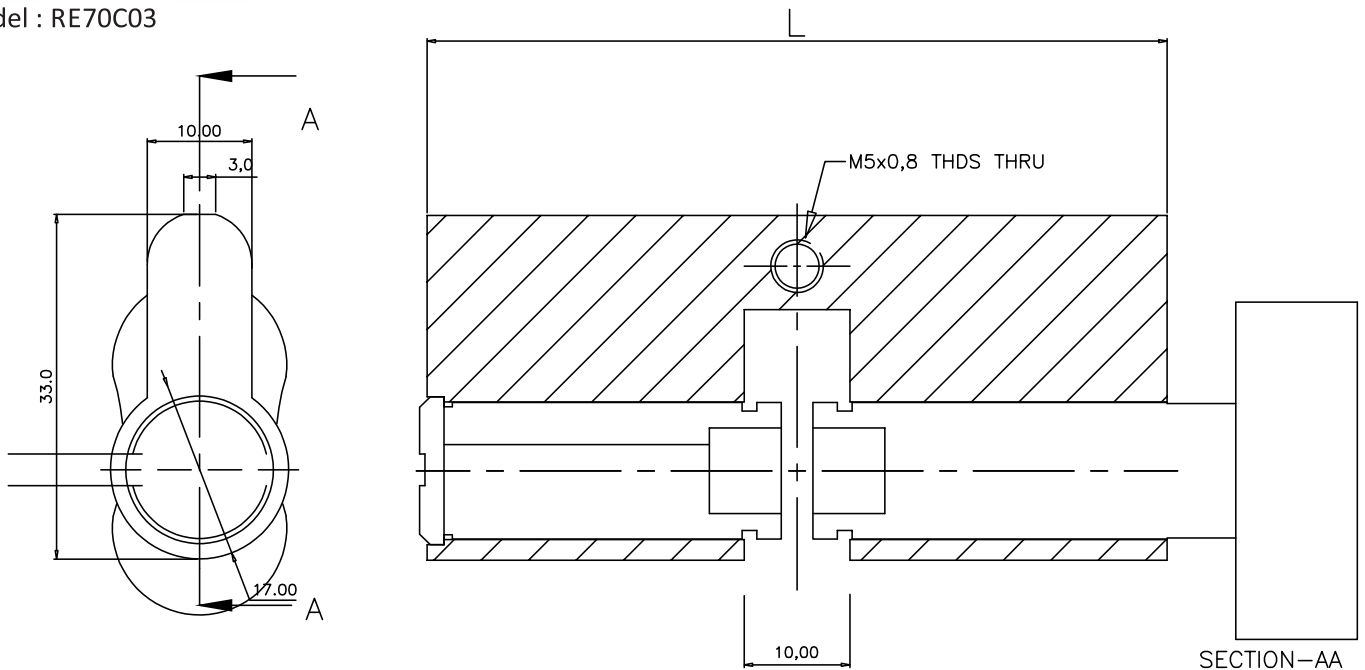
Nickle Black
Model : RE60R01



Euro profile coin and knob cylinder can be operated with the help of thumb turn knob from one side and in case of emergency with the help of a coin on the other side. This function of the cylinder provides easy access from one side as in bathrooms and semi-controlled access from the outside.



SS Finish Coin & Knob Cylinder
Model : RE70C03



MODEL	CYLINDER LENGTH (L) MM	DOOR THICKNESS MM
RE60C03	60	32-38
RE70C03	70	39-48
RE80C03	80	49-58
RE90C03	90	59-68
RE100C03	100	69-78

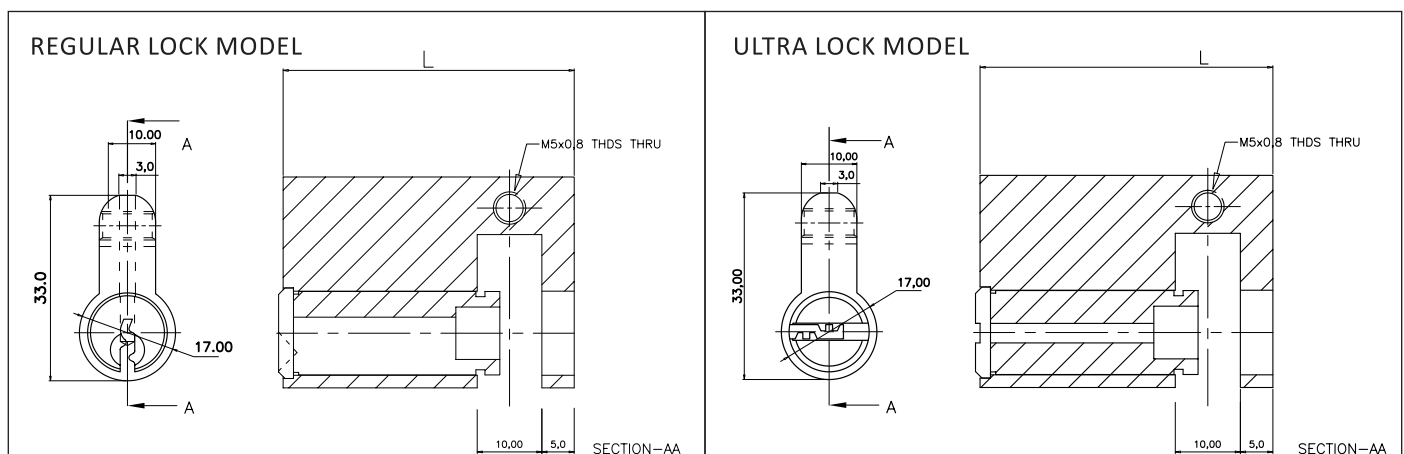
HALF CYLINDER

Euro profile half cylinder can be operated with the help of key or knob from one side and no access on the other side. This function of the cylinder provides controlled access of the door from one side only. The half cylinder one side key is suitable for locations which require controlled access from only one side and no access from the other side. We are the manufacturer and supplier of Euro profile half cylinder in India.



MODEL	CYLINDER LENGTH (L) MM	DOOR THICKNESS MM
RE35R02	35	25-31
RE40R02	40	32-38
RE45R02	45	39-48

Half Cylinder - SS Finish with Regular Key
Model : RE40R01



MORTISE LOCK - WOODEN/ALUMINIUM/UPVC



Mortise Lock Body - AL/UPVC
ML 001 SN (20x85)



Mortise Lock Body - AL/UPVC
ML 002 SN (25x85)



Mortise Lock Body - AL/UPVC
ML 003 SN (30x85)



Mortise Lock Body - AL/UPVC
ML 004 SN (305x85)



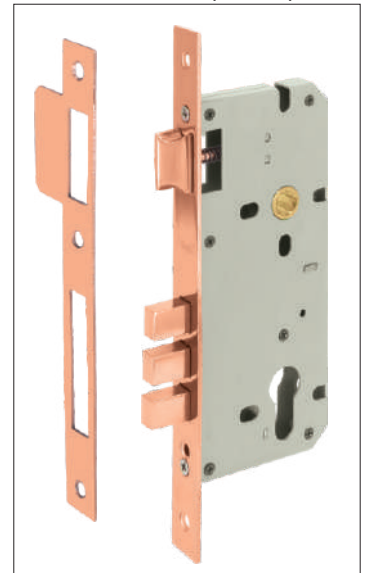
Mortise Lock Body
ECO-COMBO SET ML 005 SN (50x85)



Mortise Lock Body - 3 Sq. Bullet
ML 005 JB (50x85)



Mortise Lock Body - 3 Sq. Bullet
ML 005 RG (50x85)



Mortise Lock Body - 3 Sq. Bullet
ML 005 AB



Mortise Lock Body - 4 Round Bullet
ML 005 SS (50x85)



Mortise Lock Body - 4 Round Bullet
ML 006 SN (60x85)



MORTISE LOCK

Mortise Lock Body - 3 Sq. Bullet
ML 005 UK Finish (50x85)



Mortise Lock Body - 3 Sq. Bullet
ML 005 SN Economy Zinc (50x85)



Mortise Lock Body - 3 Sq. Bullet
ML 005 SN (50x85)



Mortise Lock Body - Regular
ML 006 SN (60x85)



Mortise Lock Body - Steel Body
ML 005 SN (50x85)



Mortise Lock Body - 3 Sq. Bullet
ML 005 GOLD



Mortise Lock Body - 3 Sq. Bullet
ML 005 Nickel Black (50x85)



Mortise Lock Body - Heavy Duty
ML 006 BPL (60x85)



Mortise Lock Body - Baby Latch
ML 007 SN





RHS-001
FINISH - SATIN



RHS-002
FINISH - SATIN



RHS-003
FINISH - SATIN



RHS-004
FINISH - SATIN



RHS-005
FINISH - SATIN



Handles On Rose



Brass Mortise Handles



Brass Mortise Handles



MH-009
FINISH-ANTIQUÉ BRASS



MH-009
FINISH-COFFEE ANTIQUÉ



MH-010
FINISH-ANTIQUÉ BRASS



MH-010
FINISH-COFFEE ANTIQUÉ



MH-011
FINISH-ANTIQUÉ BRASS



MH-011
FINISH-COFFEE ANTIQUÉ



MH-012
FINISH-ANTIQUÉ BRASS



MH-012
FINISH-COFFEE ANTIQUÉ



MH-013
FINISH-ANTIQUÉ BRASS



MH-013
FINISH-COFFEE ANTIQUÉ



MH-014
FINISH-ANTIQUÉ BRASS



MH-014
FINISH-COFFEE ANTIQUÉ



MH8-001
FINISH-ANTIQUÉ BRASS



MH8-001
FINISH-COFFEE ANTIQUÉ



MH8-002
FINISH-ANTIQUÉ BRASS



MH8-002
FINISH-COFFEE ANTIQUÉ



PHL-001
FINISH-COFFEE ANTIQUE



PHL-002
FINISH-COFFEE ANTIQUE



PHL-002
FINISH-ANTIQUÉ BRASS



PHL-003
FINISH-COFFEE ANTIQUE



PHL-004
FINISH-ANTIQUÉ BRASS



PHL-005
FINISH-ANTIQUÉ BRASS



PHL-005
FINISH-COFFEE ANTIQUE



PHL-006
FINISH-ANTIQUÉ BRASS



PHL-007
FINISH-COFFEE ANTIQUE





www.reyale.com



Manufactured & Marketed by :

MALIK ENTERPRISES

Head Office :

AF-10, Saraf Kaskar Industrial Estate, Oshiwara Bridge,
S. V. Road, Jogeshwari (West), Mumbai - 400102. INDIA.

Tel. : +91 - 22 - 6694 28 31 / 32

Mobile : +91 - 9967133244

Email : info@reyale.com