

insta[®]
for a smoother life

**COMPLETE RANGE OF
ALUMINIUM HARDWARE**



COMPANY PROFILE



At Insta Hardware, we are a team of highly talented, experienced, and award-winning architects and designers who are dedicated to delivering exceptional architectural solutions. Our company's journey began with Mr. Satish Gupta's visionary decision to diversify the family business and explore new avenues of opportunity. With his extensive 30 years of experience in civil construction, it was a natural progression to establish a firm that would elevate the standards of the industry. Since our launch in 2008, Insta Hardware has steadily grown from strength to strength, fueled by our unwavering commitment to excellence. We uphold the highest standards of professionalism and utilize best practices in every aspect of our operations. Our team of professionals constantly strives for continuous improvement, ensuring that our processes are refined to deliver unrivaled customer satisfaction.

Our diverse range of products and an ever-expanding list of satisfied customers bear testimony to our dedication to providing the very best the world has to offer to the discerning Indian market. We believe in sourcing products only from the most esteemed international manufacturers, ensuring that we offer the highest quality architectural solutions that are relevant to the needs of our Indian clientele.

At Insta Hardware, we embody the values of value, design, longevity, and environmental consciousness. These qualities are at the core of everything we do. We understand the importance of providing products that not only meet the highest standards of functionality and aesthetics but also contribute to sustainable practices. By embracing environmental consciousness, we aim to create a better future while delivering exceptional value to our customers.

With our headquarters located in the vibrant city of New Delhi, we are strategically positioned to cater to a diverse range of architectural projects across the country. Whether it's residential, commercial, or institutional spaces, our team is equipped with the expertise and creativity to bring your vision to life.

OUR FIRST PRIORITY

Customer Satisfaction

Your Happiness Matters : We prioritize your satisfaction above all else. Our products are built to not only meet but exceed your expectations.

Responsive Support : Our dedicated customer support team is here to assist you throughout your journey, from product selection to after-sales service.



Durability and Longevity

Invest with Confidence : Our hardware is engineered to endure, promising enduring performance that with stands daily wear and tear.

Value for Investment : By choosing our products, you're investing in lasting value that enhances the functionality and aesthetics of your spaces.

insta[®]
for a smoother life



Warranty Certificate

THIS IS TO CERTIFY THAT WE INSTA WARRANTY OUR PRODUCT
AGAINST MANUFACTURING DEFECT FOR A MINIMUM PERIOD OF 10 YEARS,
OUR WARRANTY WILL BE VALID IF THE PRODUCT ARE NOT
MISUSED, IMPROPERLY ASSEMBLED OR DAMAGE
IN ANY WAY.

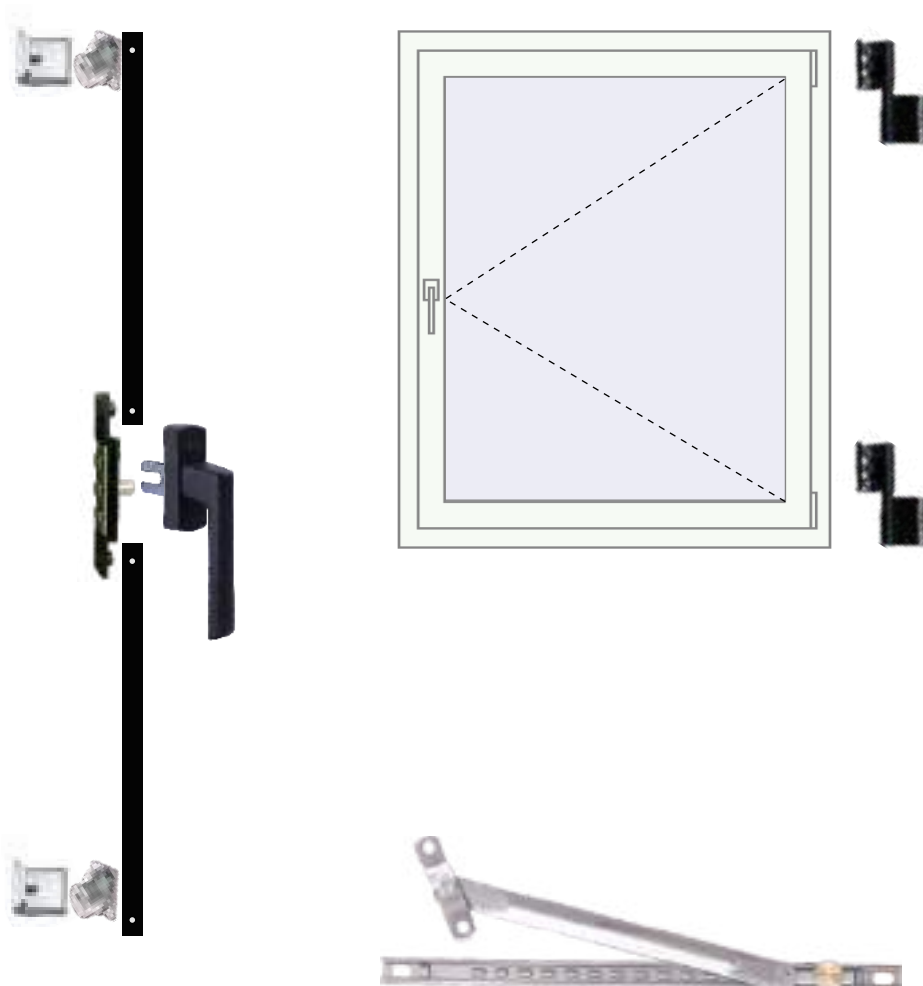



Satish Gupta
Director

GLORIOUS PRODUCTS (INDIA) PVT. LTD.
ARCHITECTURAL BUILDING HARDWARE

CONTENTS

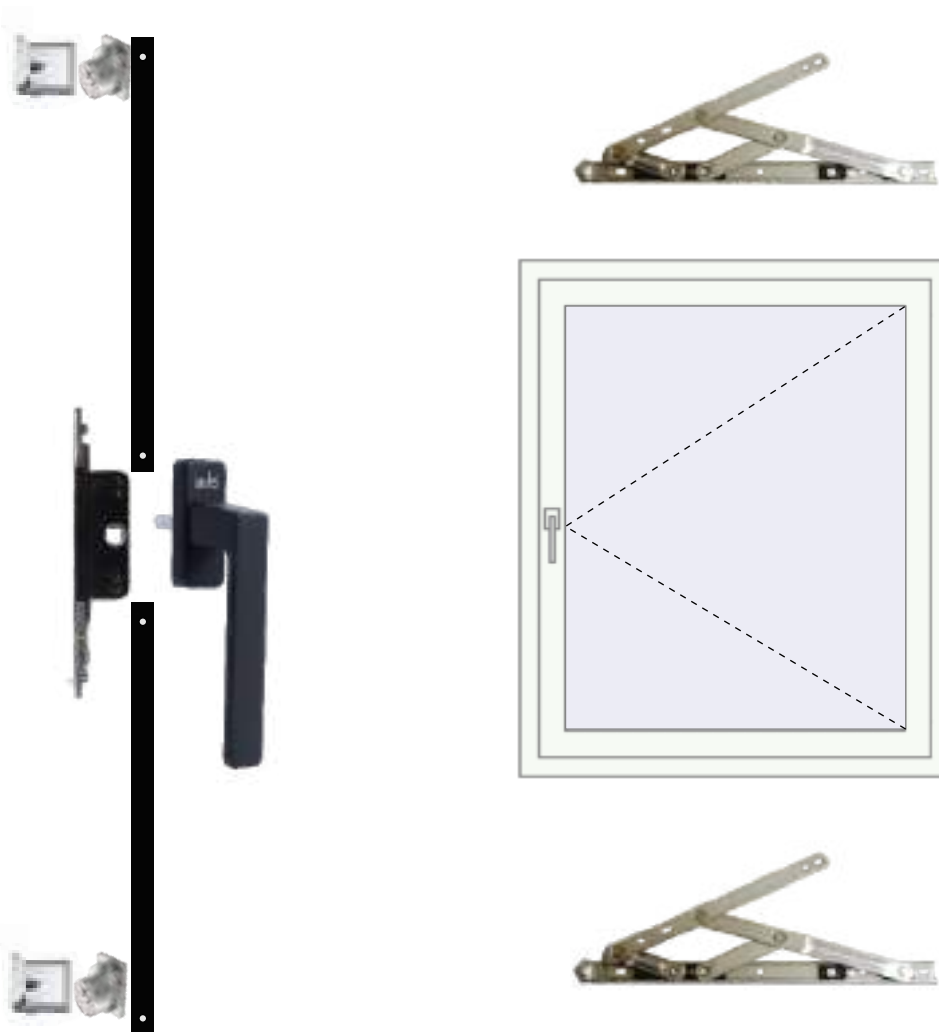
NO.	PARTICULAR	PAGE NO.
DOORS & WINDOW SYSTEM		
	50 mm Series Window System 1.....	1
	50 mm Series Window System 2.....	2
	50 mm Series Window System 3.....	3
	40 mm Series Casement Window System.....	4
	50 mm Series Window System.....	5
	40 mm Series Casement Door System.....	6
	27 mm Series Sliding Window System.....	7
	27 mm Series Sliding Door/Window System.....	8
	29/32/37 mm Series Sliding System 1.....	9
	29/32/37 mm Series Sliding System 2.....	10
PEARL SERIES		
	Pearl Series.....	11
CASEMENT SERIES		
	Cockspur Handle.....	22
	Multipoint Locking Handle.....	24
	Door Handles & Locks.....	26
	Cylinders.....	30
	Shoot Bolt.....	32
	Hinges.....	33
SLIDING SERIES		
	Sliding Handles.....	36
	Rollers.....	44
FRICTION STAY		
	Premium Series Friction Stay.....	46
	Platinum Series Friction Stay.....	47
	Euro Groove Friction Stay.....	48
ACCESSORIES & ESPAG		
	Non Euro Groove Espag.....	50
	Gear Box.....	51
	Cleats.....	52
	Accessories.....	53



Casement Window Hardware Configuration:

NO.	NAME	CODE NO	PAGE NO
1	HANDLE	IAMHP-04F	24
2	EURO HINGE	EBH-01	33
3	WIND BREAK ARM	IUWBA8P10/12	48
4	CORNER CLEAT FRAME	IACC-05	52
5	CORNER CLEAT SASH	IACC-06	52
6	POLYIMIDE STRIP	ACCESSORIES	53
7	STRICKER	ACCESSORIES	54
8	LOCKING PAWL	ACCESSORIES	54
9	T ROD CONNECTOR EURO	ACCESSORIES	54

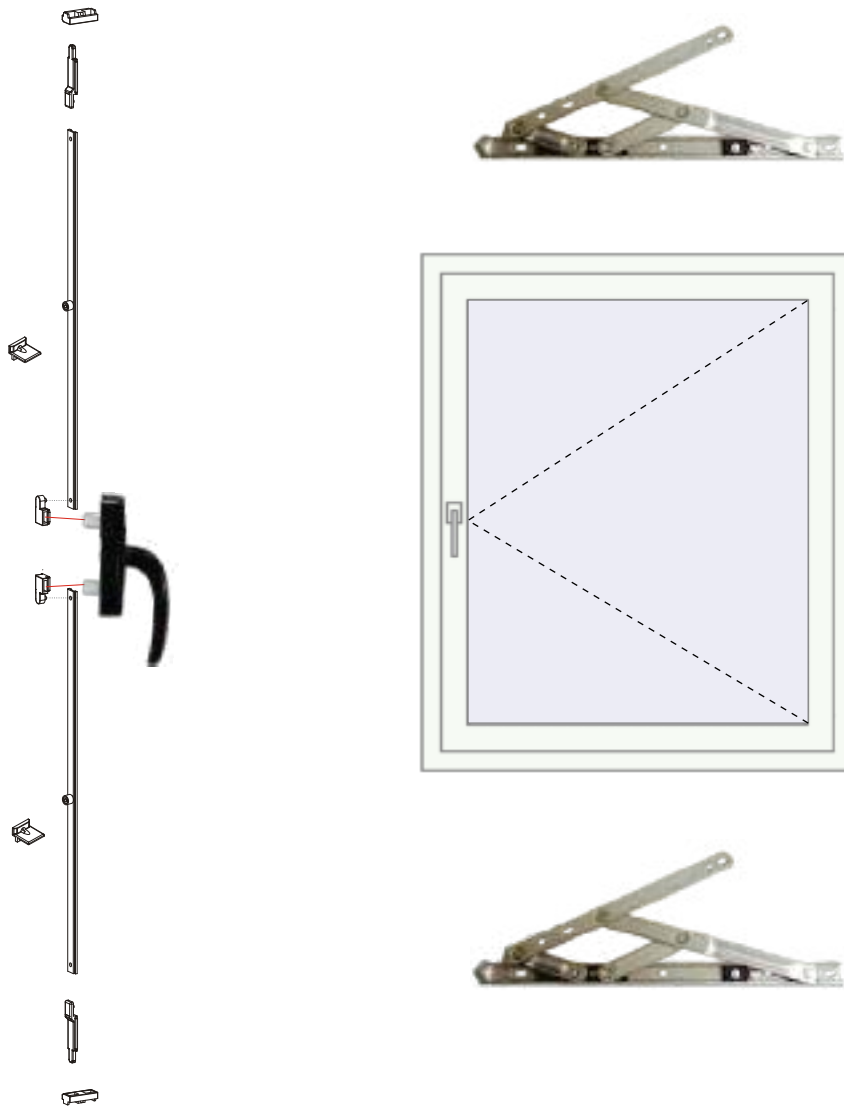
*To explore further handling options turn to page no.



Casement Window Hardware Configuration:

NO.	NAME	CODE NO	PAGE NO
1	HANDLE	IASH-LH-12	39
2	FRICITION STAY	IUHSH	47
3	EURO GEAR BOX 25MM BACKSET	IAGB25	51
4	CORNER CLEAT SASH	IACC-05	52
5	CORNER CLEAT FRAME	IACC-06	52
6	POLYMIDE STRIP	ACCESSORIES	54
7	STRICKER	ACCESSORIES	54
8	LOCKING PAWL	ACCESSORIES	54

*To explore further handling options turn to page no.

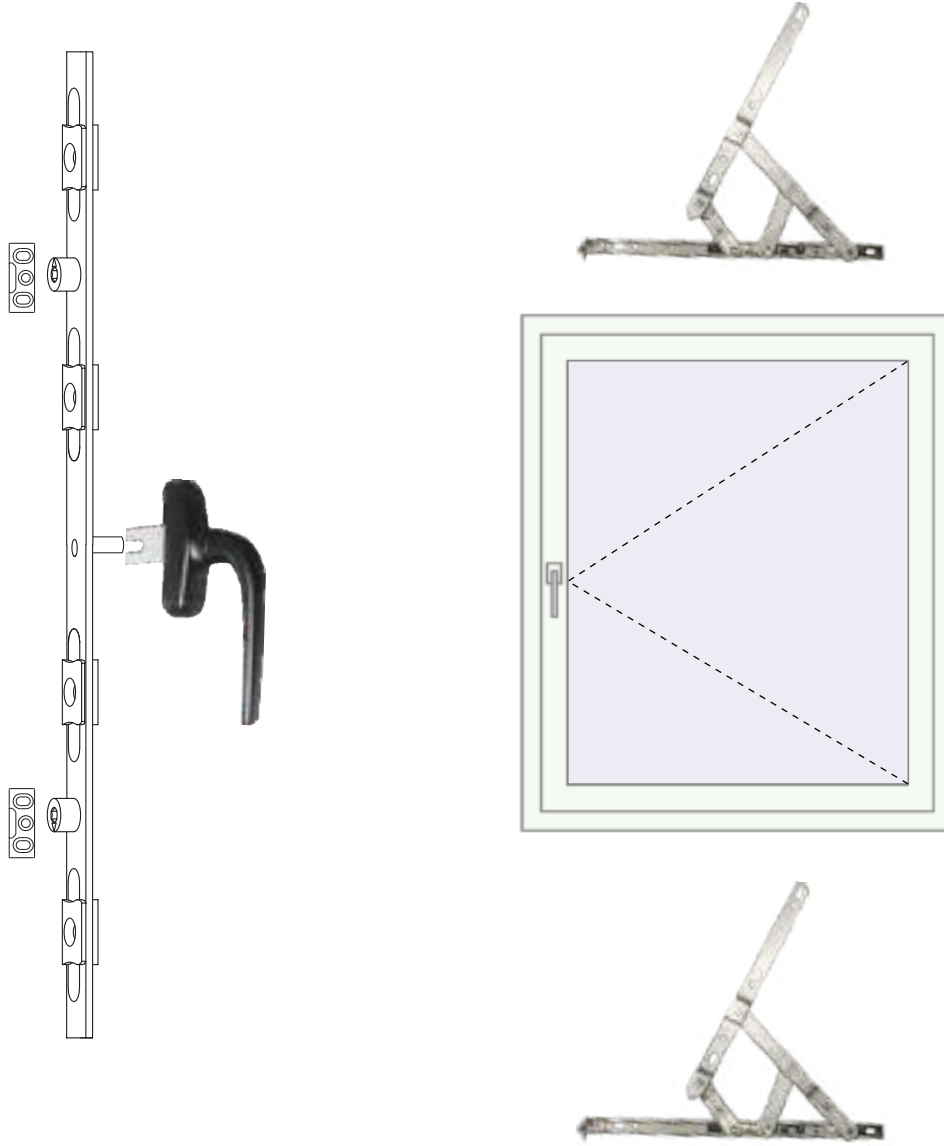


Casement Window Hardware Configuration:

NO.	NAME	CODE NO	PAGE NO
1	HANDLE	IAMTF-01	24
2	FRICTION STAY	IUHSH	47
3	CORNER CLEAT SASH	IACC-05	52
4	CORNER CLEAT FRAME	IACC-06	52
5	POLYMIDE STRIP	ACCESSORIES	53
6	STRICKER	ACCESSORIES	54
7	LOCKING PAWL	ACCESSORIES	54
8	EURO LOCKING PIN	ACCESSORIES	54
9	CONNECT BLOCK	ACCESSORIES	54

*To explore further handling options turn to page no.

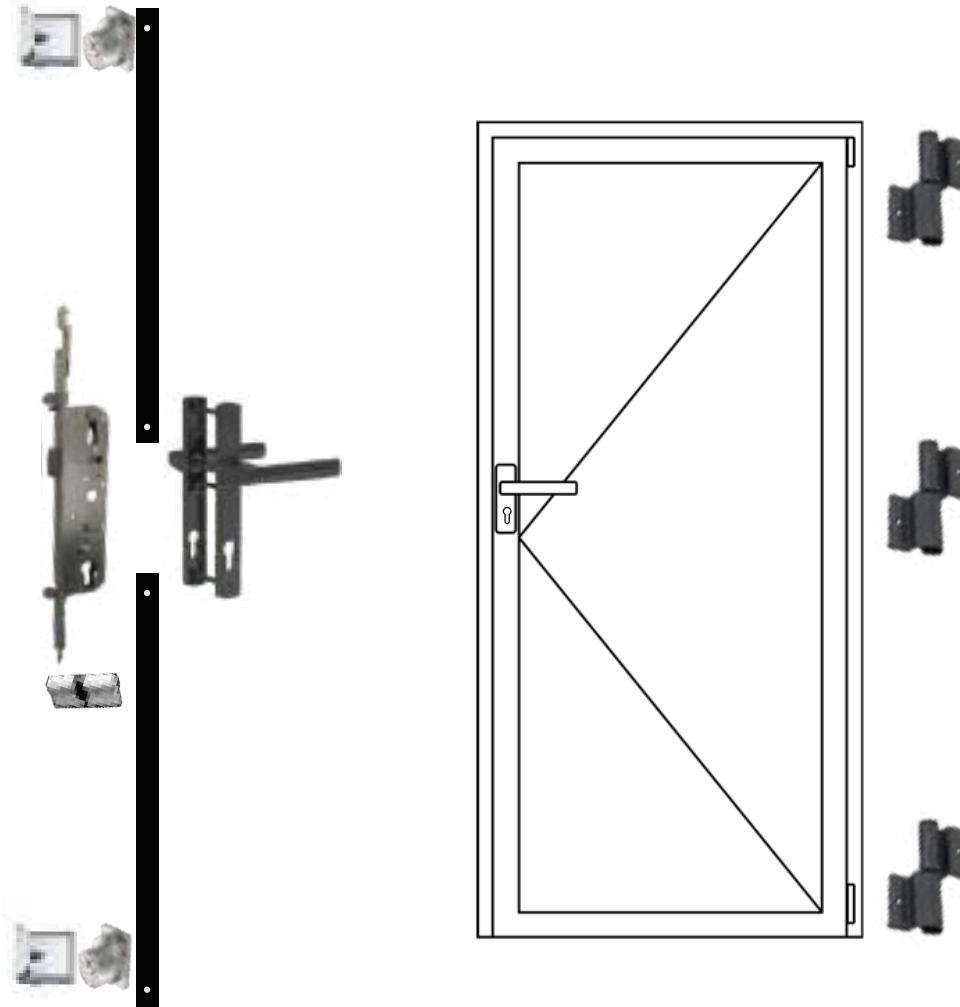
40 MM SERIES CASEMENT WINDOW SYSTEM



Casement Window Hardware Configuration:

NO.	NAME	CODE NO	PAGE NO
1	HANDLE	IASF-01	24
2	FRICTION STAY	IFSUG	48
3	CORNER CLEAT SASH	IACC-05	52
4	CORNER CLEAT FRAME	IACC-06	52
5	NON EURO GROOVE ESPAG	ESPAG	50
6	STRIKER	ACCESSORIES	54

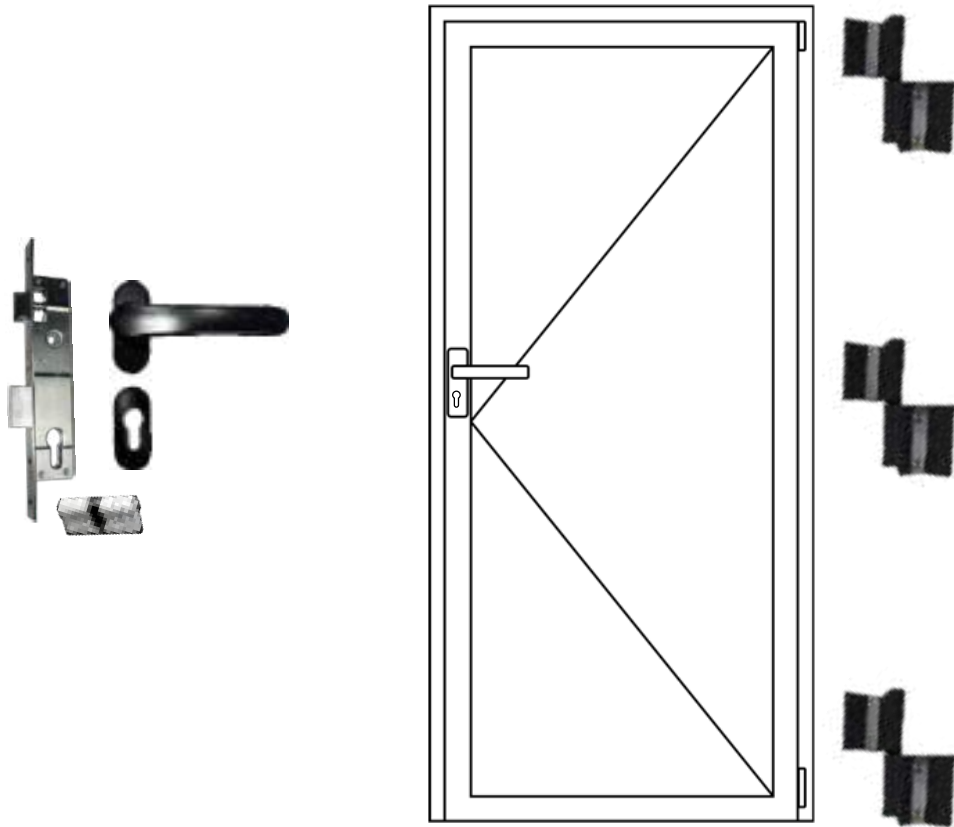
*To explore further handling options turn to page no.



Casement Door Hardware Configuration:

NO.	NAME	CODE NO	PAGE NO
1	HANDLE	IAMH04	26
2	LOCK BODY 35/85	IMLB-01A	28
3	CYLINDER-80mm(30/50)	IMLC-01	30
4	CORNER CLEAT SASH	IACC-05	52
5	CORNER CLEAT FRAME	IACC-06	52
6	EURO DOOR HINGE	IEHDH01	34
7	POLYMIDE STRIP	ACCESSORIES	53
8	STRIKER	ACCESSORIES	54
9	LOCKING PAWL	ACCESSORIES	54

*To explore further handling options turn to page no.



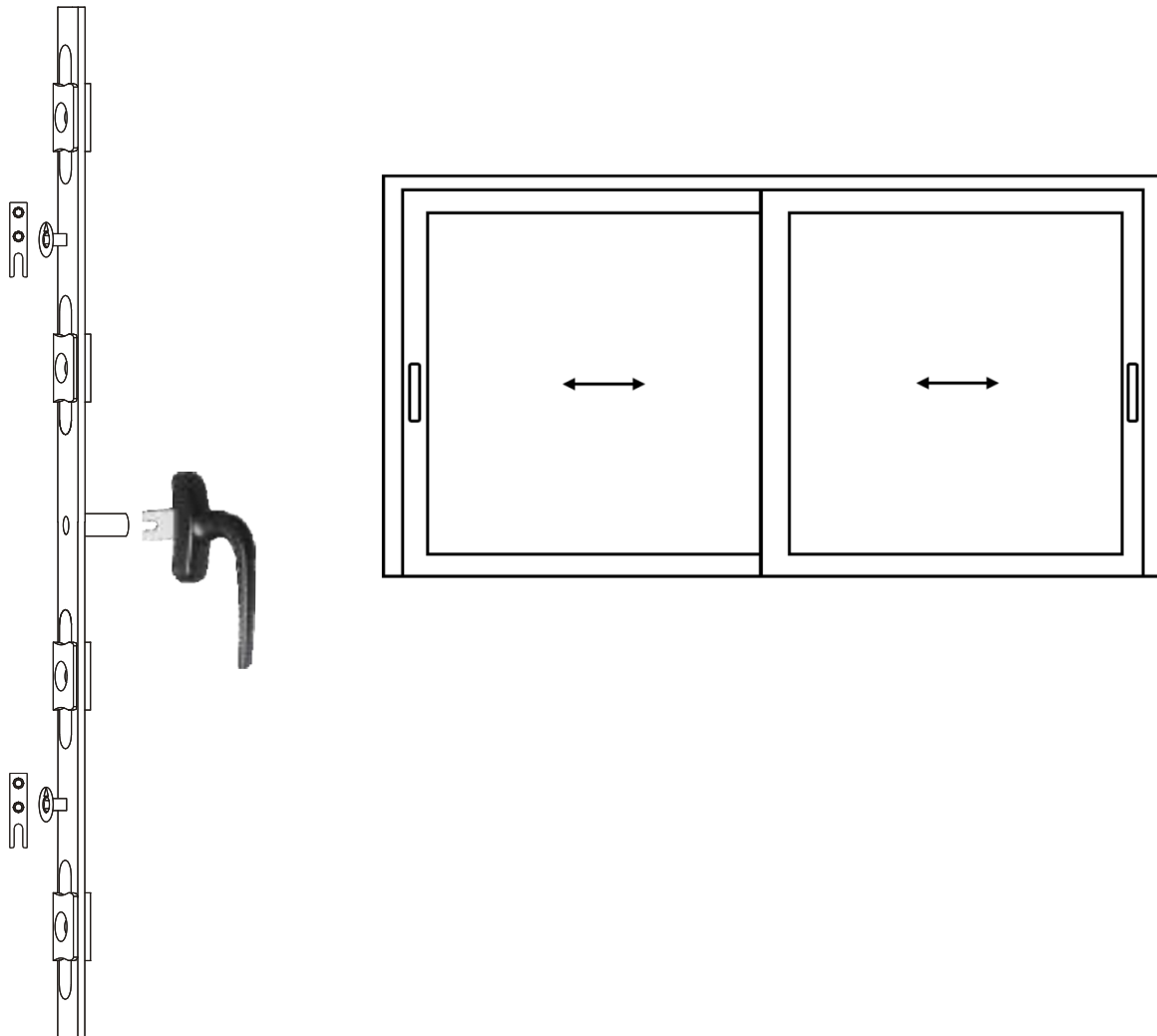
Casement Door Hardware Configuration:

NO.	NAME	CODE NO	PAGE NO
1	HANDLE	IAMH-03	26
2	LOCK BODY 20/85 or 25/85	IMLB-01	28
3	CYLINDER 60MM	IMLC-1	30
4	HINGES	IDBH-02	33
5	CORNER CLEAT SASH	IACC-04	52
6	CORNER CLEAT FRAME	IACC-04	52

*To explore further handling options turn to page no.

27 MM SERIES SLIDING WINDOW SYSTEM

(NON EURO GROOVE)



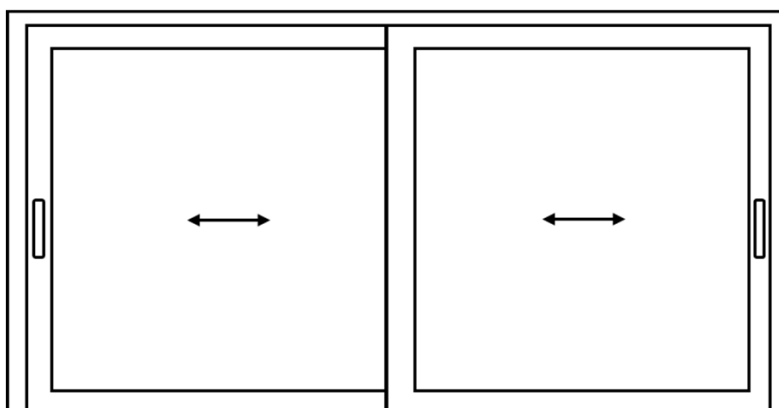
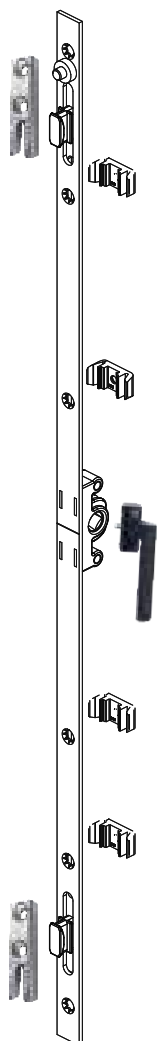
Sliding Window Hardware Configuration:

NO.	NAME	CODE NO	PAGE NO
1	HANDLE	IASF-01	24
2	ROLLERS	IASR-02A	44
3	CORNER CLEAT	IACC-01	52
4	SLIDING STRIKER	IUSEK-01	54
5	TRANSMISSION ROD (NON EURO)	ACCESSORIES	57

*To explore further handling options turn to page no.

27 MM SERIES SLIDING DOOR / WINDOW SYSTEM

(NON EURO GROOVE)



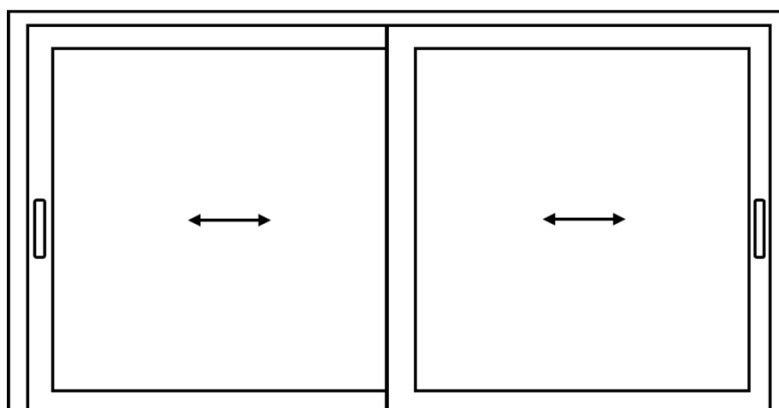
Sliding Window Hardware Configuration:

NO.	NAME	CODE NO	PAGE NO
1	HANDLE	IASHLH-12	39
2	SLIDING ESPAG 7.5MM BACKSET	IAGB75	51
3	SLIDING STRIKER	IUSEK-01	54
4	ROLLERS	IASR-02A	44
5	CORNER CLEAT	IACC-01	52
6	ESPAG HOLDER	ACCESSORIES	54

*To explore further handling options turn to page no.

29/32/37 MM SERIES SLIDING SYSTEM-1

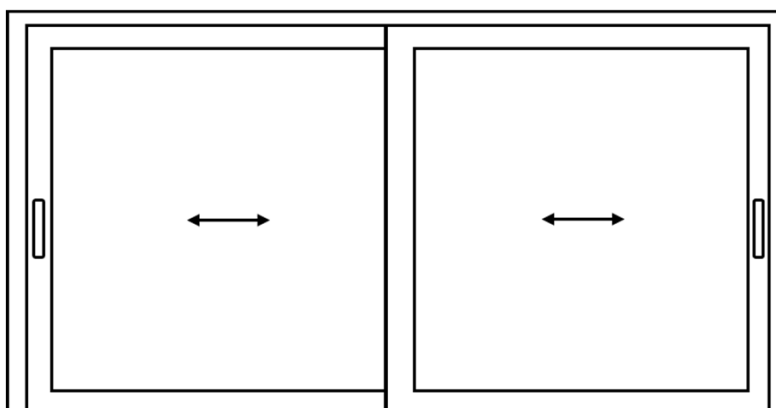
(EURO GROOVE)



Sliding Window Hardware Configuration:

NO.	NAME	CODE NO	PAGE NO
1	HANDLE	ISHS-08	38
2	ADJUSTABLE ROLLERS	IASR02A	44
3	CORNER CLEAT	IACL-01	52
4	POLYIMIDE STRIP	ACCESSORIES	53
5	ONE WAY LOCKING POINT	ACCESSORIES	54
6	TWO WAY LOCKING POINT	ACCESSORIES	54
7	FRAME STRIKER	ACCESSORIES	54
8	EURO T JOINT	ACCESSORIES	54

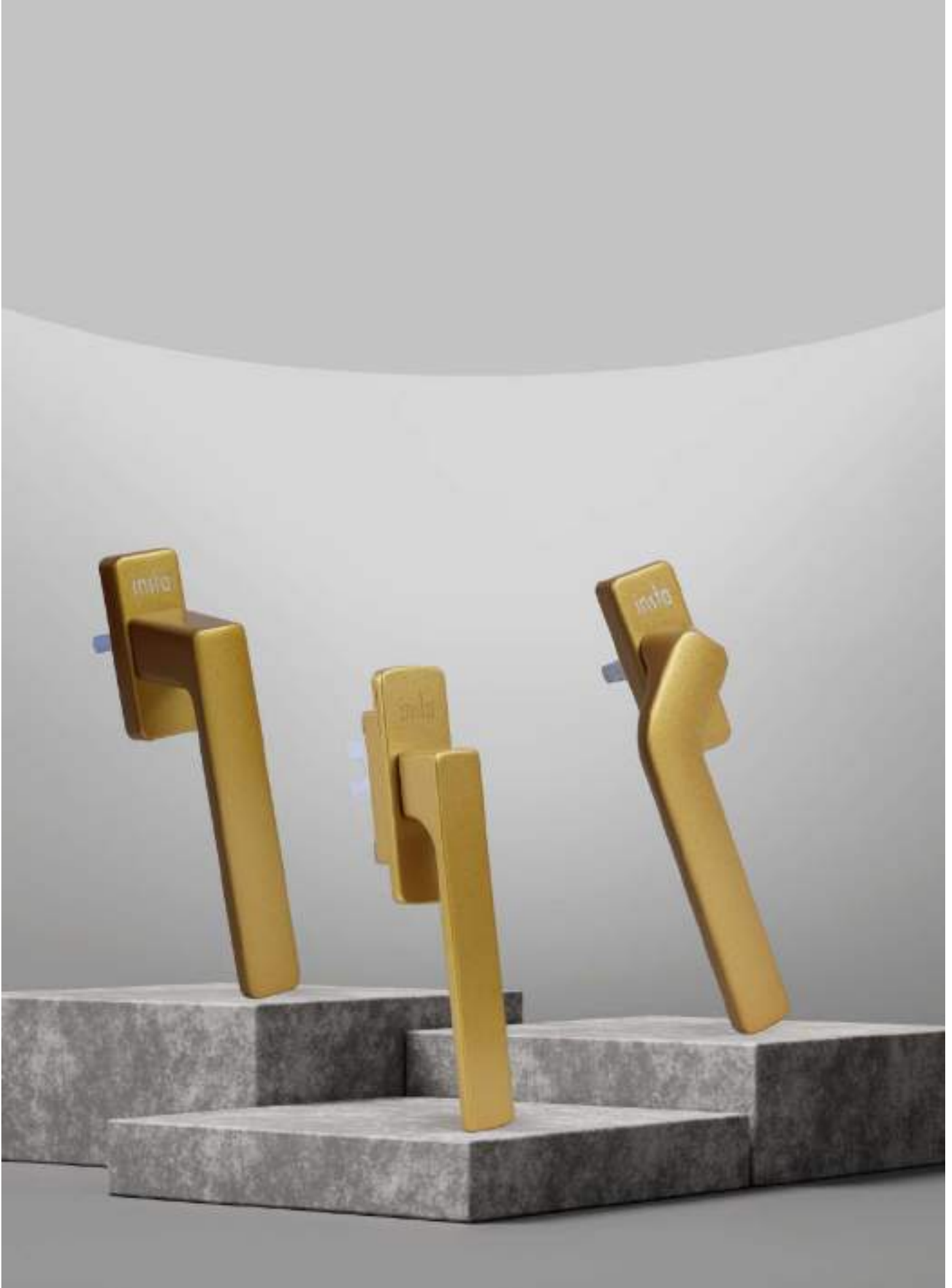
*To explore further handling options turn to page no.



Sliding Window Hardware Configuration:

NO.	NAME	CODE NO	PAGE NO
1	HANDLE	IASF-LN-10R/10L	39
2	ADJUSTABLE ROLLERS	IASR02A	44
3	GEAR BOX 7.5 /15 MM BACKSET	IAGB75/IAGB15	51
4	CORNER CLEAT	IACC-01	52
5	POLYMIDE STRIP	ACCESSORIES	53
6	ONE WAY LOCKING POINT	ACCESSORIES	54
7	TWO WAY LOCKING POINT	ACCESSORIES	54
8	FRAME STRIKER	ACCESSORIES	54

*To explore further handling options turn to page no.



IAMHP-04F

Casement Handle with Fork



Material	Zamak Alloy
Finish Type	Power Coated
Color	Golden/Silver/Black
Usage/Application	Aluminium Casement Window

*Foke Size Are Available In 35mm/50mm

IASH-LN-11

Sliding Short Neck Handle with Fork

Material	Zamak Alloy
Finish Type	Power Coated
Color	Golden/Silver/Black
Usage/Application	Aluminium Sliding Door & Window



IASH-LH-13

Sliding/ Casement Handle With Spindle



Material	Aluminium Alloy
Finish Type	Power Coated
Color	Golden/Silver/Black/
Usage/Application	Aluminium Sliding Door & Window

IASF-LN-10R/10L

Sliding Short Neck Handle Spindle

Material	Aluminium Alloy
Finish Type	Power Coated
Color	Golden/Silver/Black
Usage/Application	Aluminium Sliding Door & Window





IAMH-04

Casement Door Handle

Material	Aluminium Alloy
Finish Type	Power Coated
Color	Golden/Silver/Black/White
Usage/Application	uPVC/Aluminium Casement Door

IAMH-06

Casement Door Handle

Material	Aluminium Alloy CNC Cut
Finish Type	Power Coated
Color	Golden/Silver/Black
Usage/Application	Aluminium Casement Door





IASH-LP-12F

Sliding Long Handle With Fork

Material	Aluminium Solid CNC Cut
Finish Type	Power Coated
Color	Silver/Black
Usage/Application	Sliding Door

IASF-9F

Sliding Concealed Handle With Fork

Material	Aluminium Alloy/Zinc Alloy
Finish Type	Power Coated
Color	Silver/Black
Usage/Application	Sliding Door



**ISHS-07L**

Metro Handle With Key

Material	Aluminium Alloy/Zinc Alloy
Finish Type	Power Coated
Color	Black
Usage/Application	Sliding Door

ISHS-07

Metro Handle Without Key

Material	Aluminium Alloy/Zinc Alloy
Finish Type	Power Coated
Color	Black
Usage/Application	Sliding Door





IEHDH-01

Euro Hinge (Heavy Duty)

Material	Aluminium Alloy & SS Road
Finish Type	Power Coated
Color	Golden/Silver/Black/White
Usage/Application	Aluminium Casement Door

IUCDH3D120

3D Hinge

Material	Aluminium Alloy
Finish Type	Power Coated
Color	Golden/Silver/Black
Usage/Application	uPVC Casement Door





IUCHWOK40

Casement Window Handle

Material	Aluminium Alloy
Finish Type	Power Coated
Color	Golden/Silver/Black/Brown/White
Usage/Application	Casement Window

IUSLNH-28

Sliding Handle With Low Neck

Material	Aluminium Alloy
Finish Type	Power Coated
Color	Golden/Silver/Black/Brown/White
Usage/Application	Sliding Door



IUSDHDT25

D Handle with Cylinder



Material	Aluminium Alloy
Finish Type	Power Coated
Color	Golden/Silver/Black/Brown/White
Usage/Application	Sliding Door

IUSDHDT25

Sliding Door D Type Handle, One Side Lever, One Side Plain

Material	Aluminium Alloy
Finish Type	Power Coated
Color	Golden/Silver/Black/Brown/White
Usage/Application	Sliding Door



**IUSDPOP25**

Popup Handle

Material	Zamak Alloy
Finish Type	Power Coated
Color	Golden/Silver/Black/White/Brown
Usage/Application	uPVC Sliding Door & Window

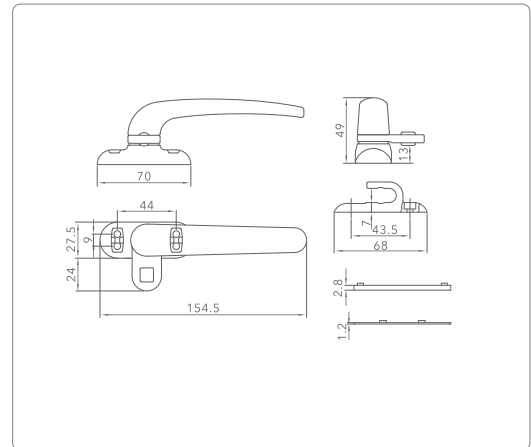
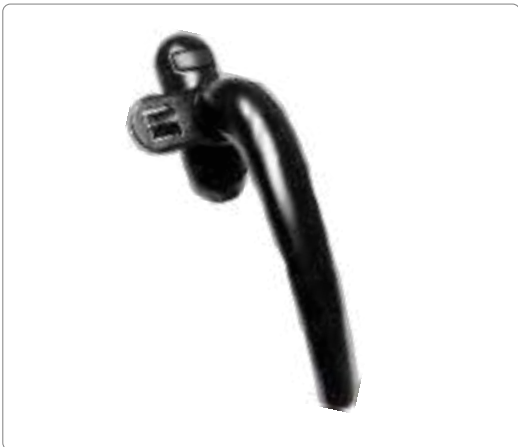
IUSWTLL16/R16

Touch Lock

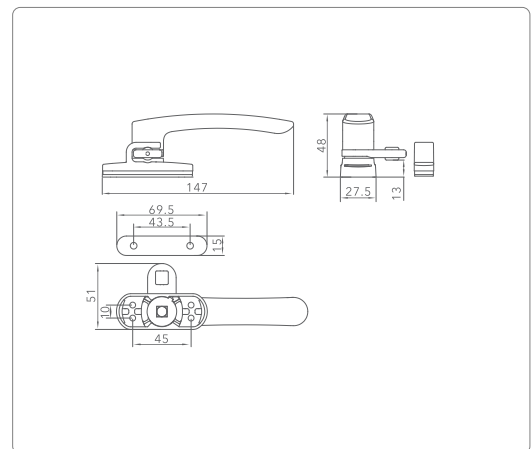
Material	Aluminium Alloy
Finish Type	Power Coated
Color	Golden/Silver/Black/White
Usage/Application	uPVC Sliding Window



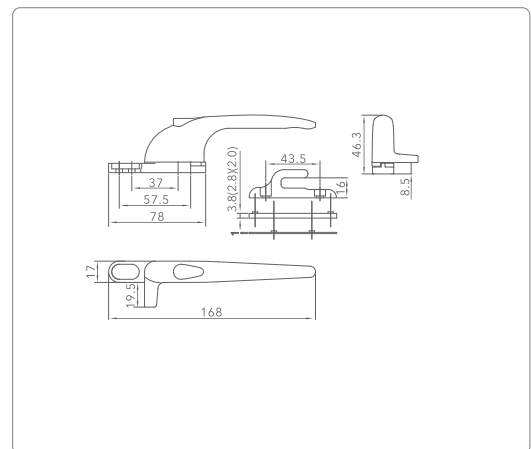




IASPH-STANDARD

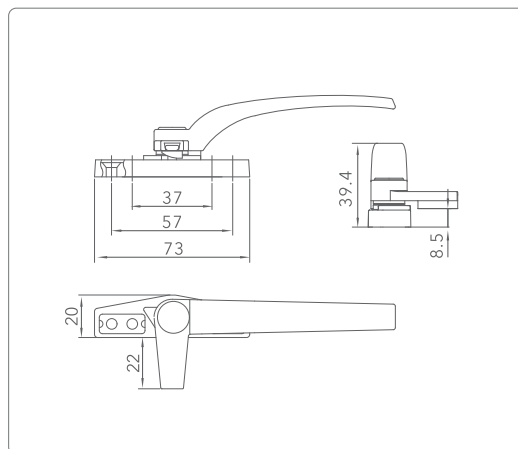


IASPH-STANDARD-01

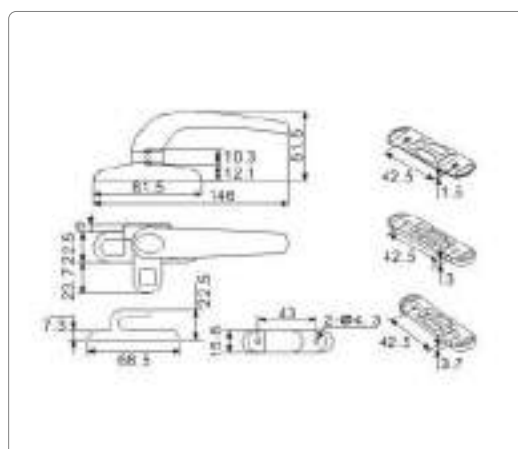


IASPH WITH PUSH BUTTON

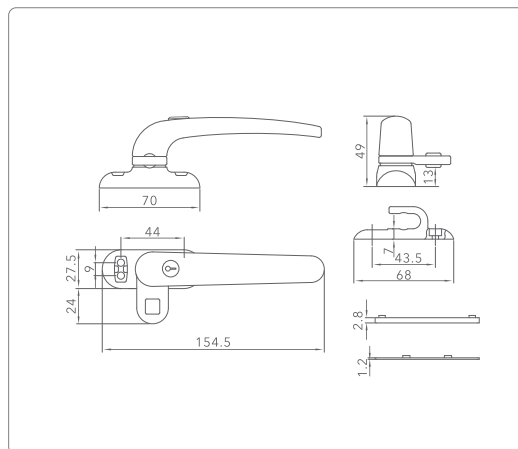
COCKSPUR HANDLE



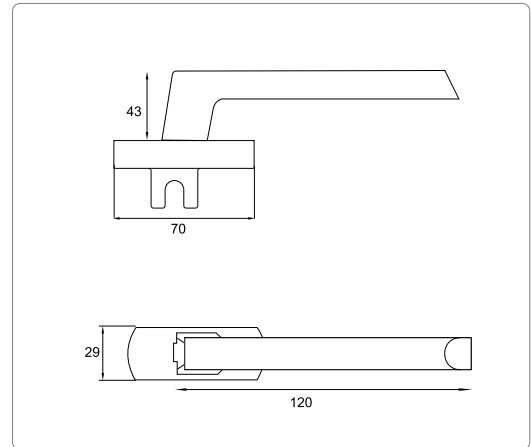
IASPH-ECO-01



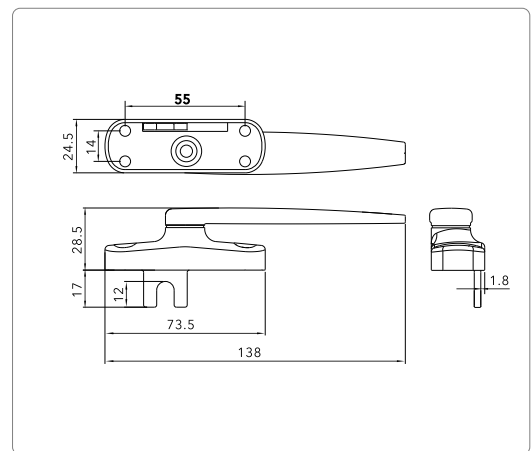
IASPH-ARROW



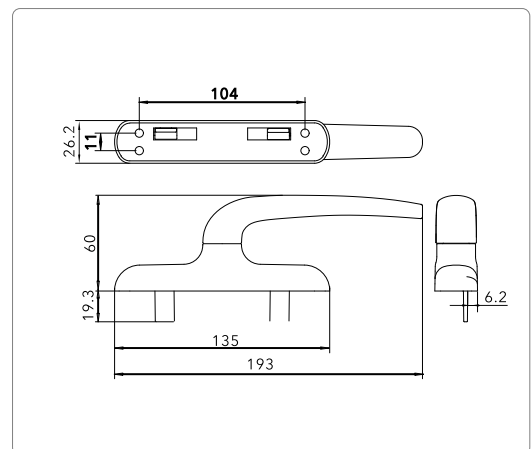
IASPH -01 STANDARD WITH KEY



IAMHP-04F : Casement Handle With Fork 30 & 50 MM

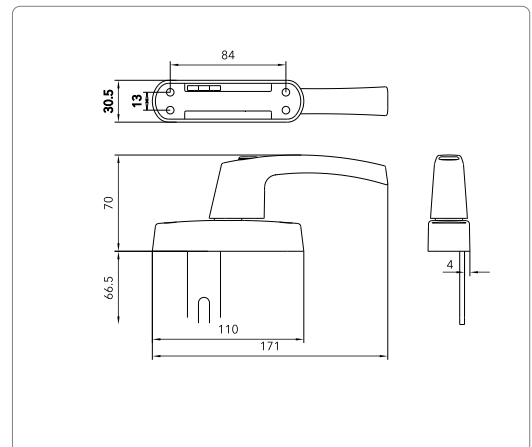


IASF-01 : Casement Handle With Single Fork 20, & 30 MM

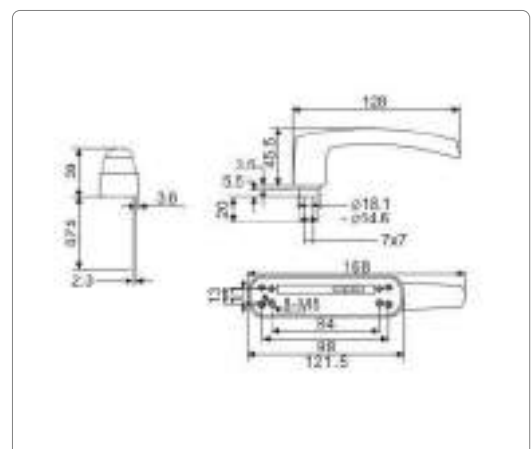


IAMTF-01 : Casement Two Fork Handle

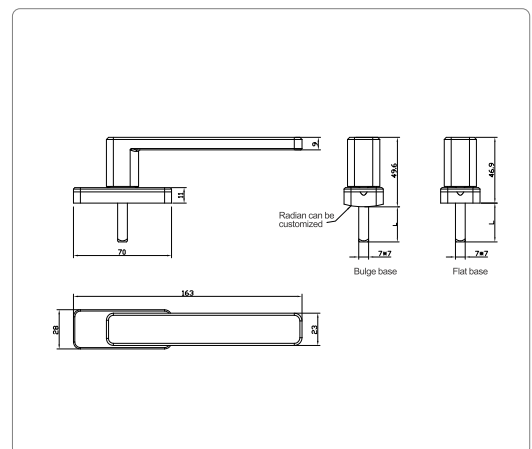
MULTIPOINT LOCKING HANDLES



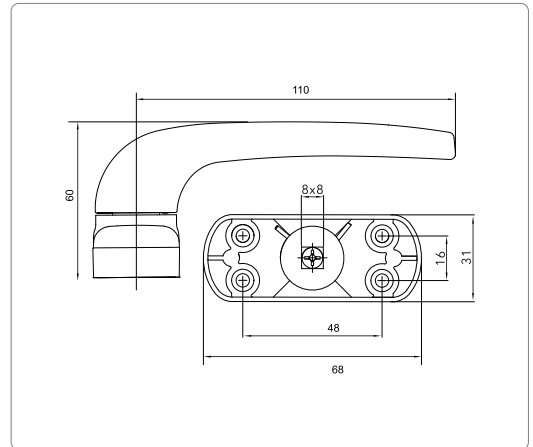
IAMSFK-02 : Casement Handle With Key Single Fork 30 & 50 MM



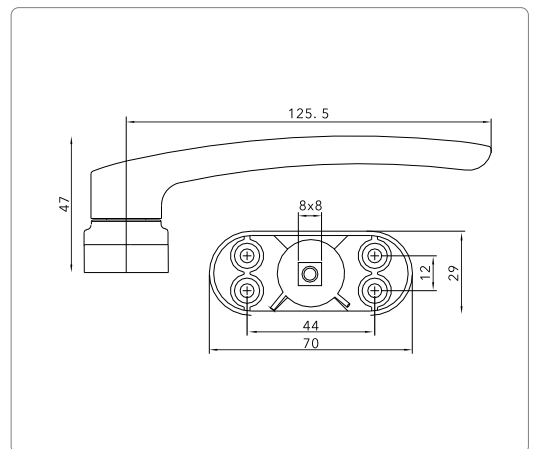
IASFD -03 : Detachable Handle With Single Fork Size 30 & 50 MM



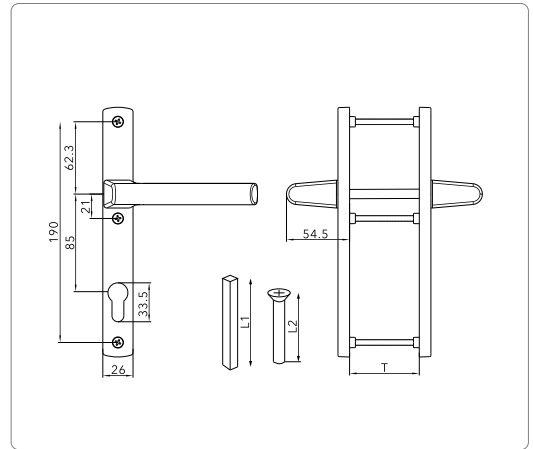
IASH-LH-12 : Casement Handle With Spindle



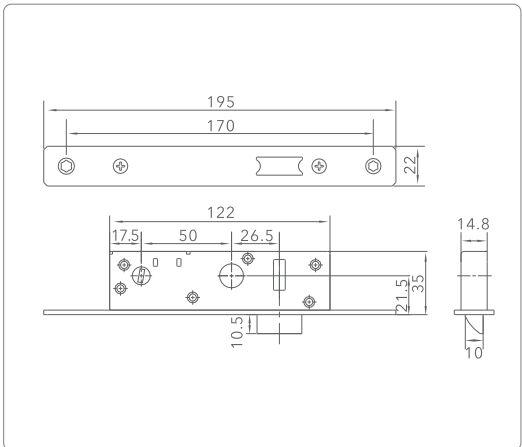
IAMH - 02



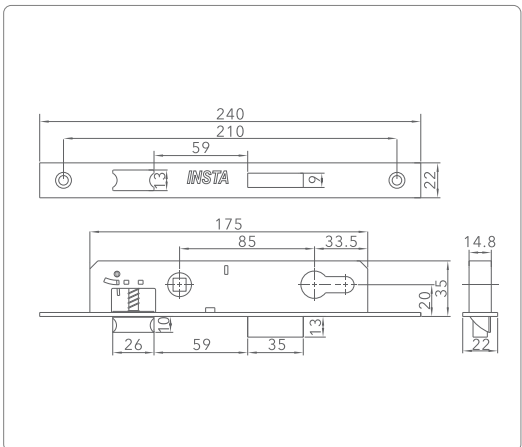
IAMH - 03



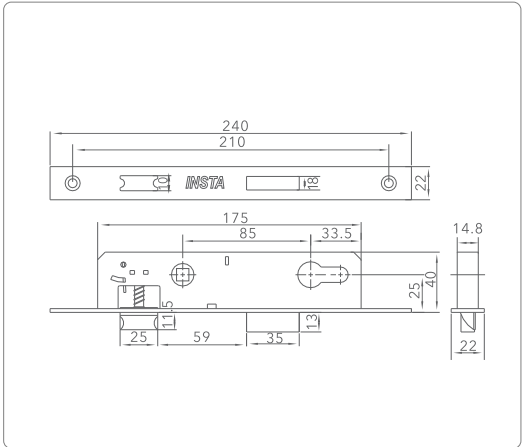
IAMH - 04



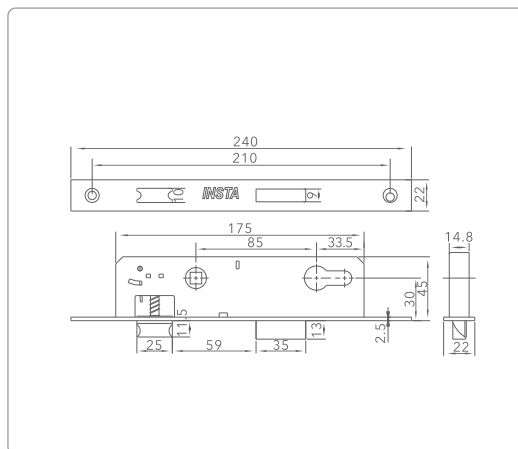
IUCWCS35 : WC Set With Handle, Latch, Knob & Counter Plate



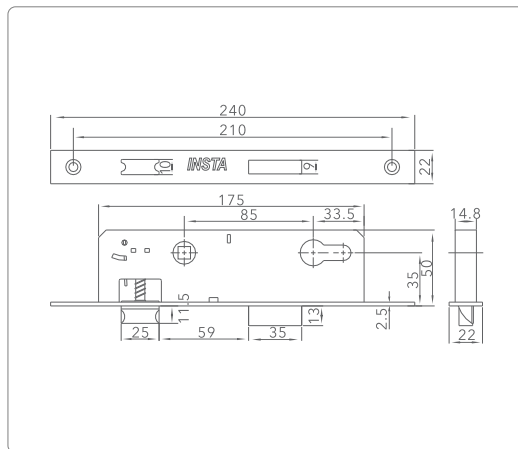
IMLB01 : 20MM/85MM



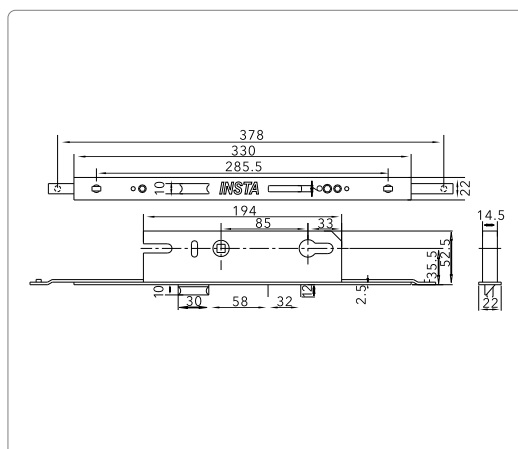
IMLB02 : 25MM/85MM



IMLB03 : 30MM/85MM



IMLB04 : 35MM/85MM



IMLB-01A : 25MM/35MM



IMLC-1 : Cylinder With Both Side Key



IMLC-2 : Cylinder With One Side Key & One Side Knob

* IMLC1 & IMLC2 are available in 60mm/80mm & 90mm.
 *80mm will be 30-50.

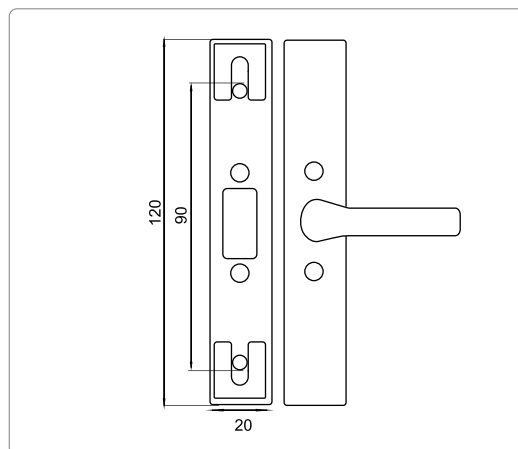
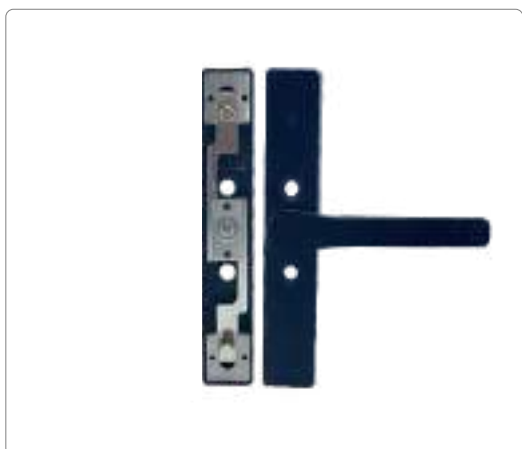


IMLC-3 : Half Cylinder With One Side Key

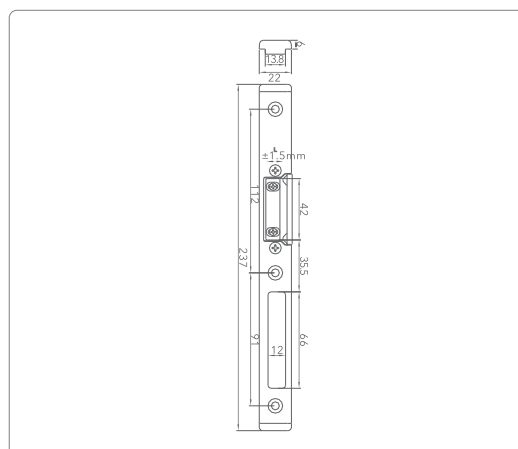


IMLC-4 : Half Cylinder With One Side Key & One Side Knob

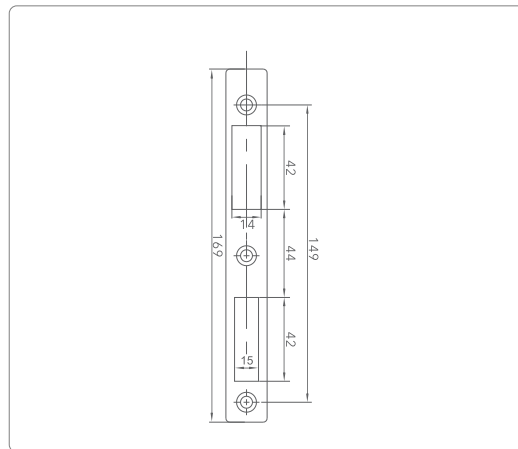
* IMLC3 & IMLC4 are available in 30mm.



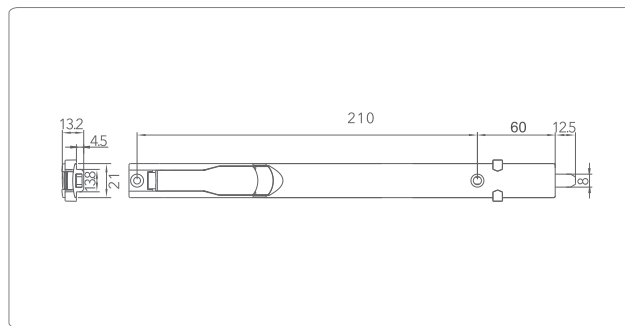
ICFD-01 : Connector For French Door



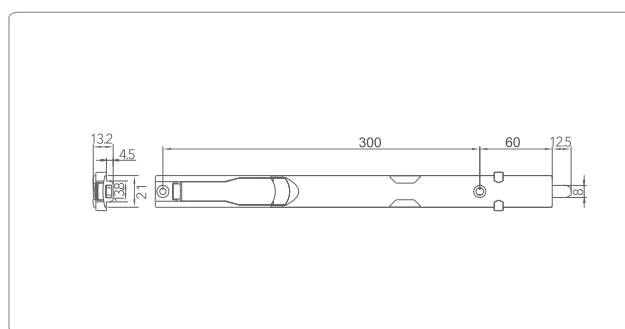
ICLP-01L/R : Latch Plate (Adjustable)



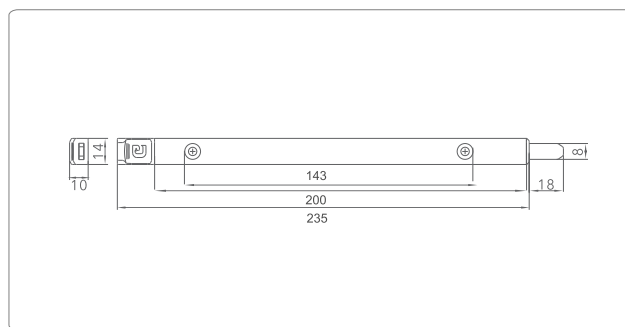
ICLP-02 : Latch Plate



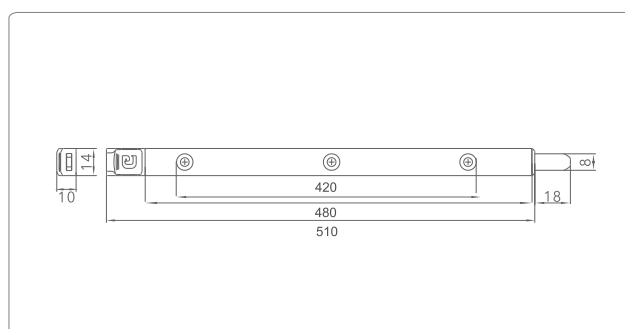
IATB-01E (Euro Groove)



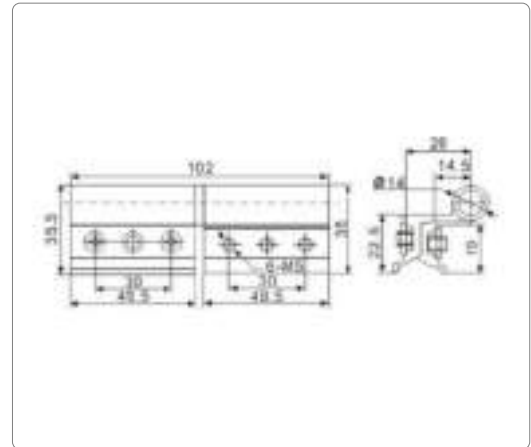
IATB-02E (Euro Groove)



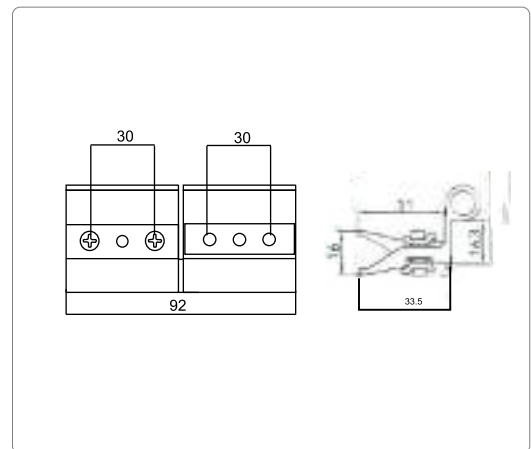
IATB-03



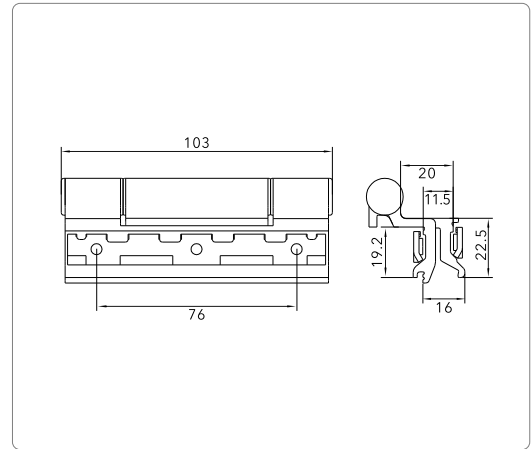
IATB-03B



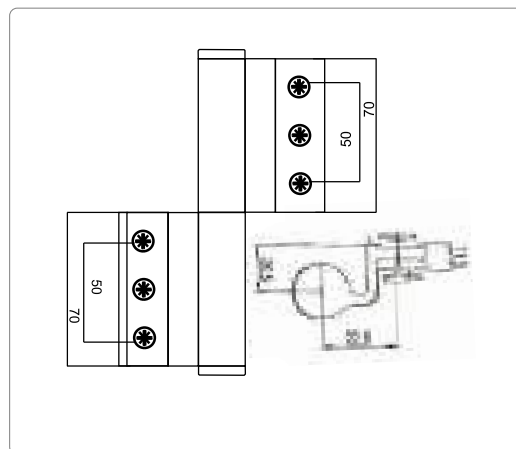
IEBH - 01 : Euro Hinge 50mm Series



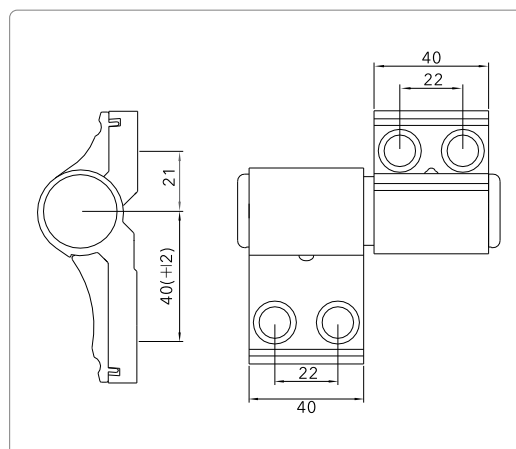
IDBH - 02 : Domal Hinge 40mm Series



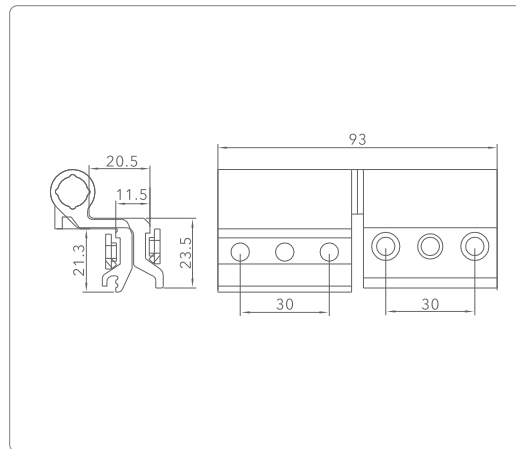
IUHHDH - 03 : Euro Door Hinge 50mm Series



IEHDLH - 01 : Heavy Duty Euro Door Hinge 50mm Series

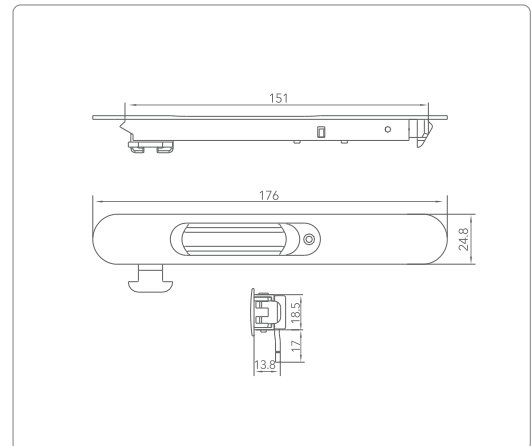


IUHDH - 02 : Universal Hinge

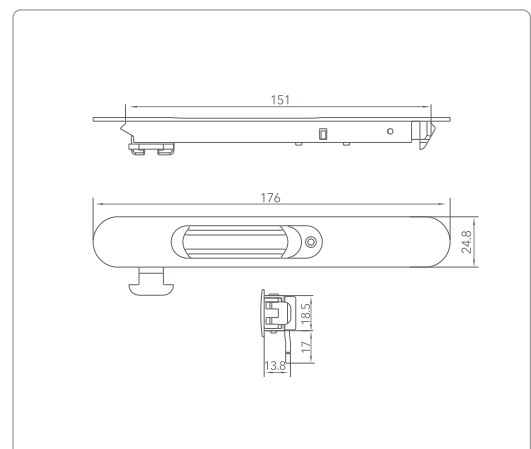


IEBH - 03 : Euro Hinge 52 MM Series

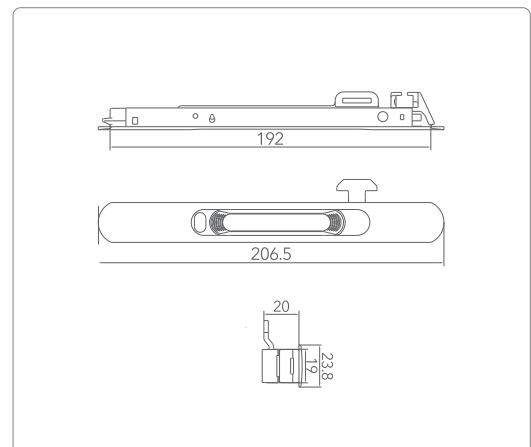




ISHS - 02 : Sliding Window Lock

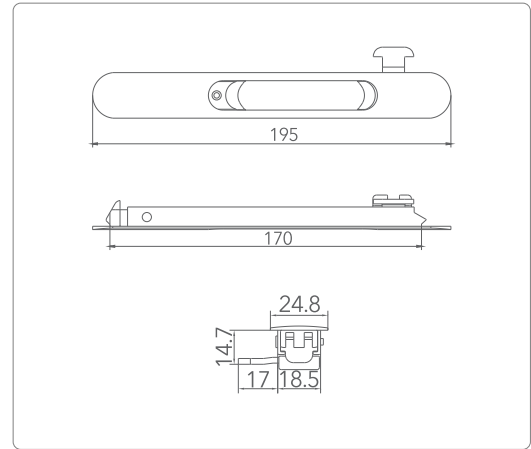


ISHS - 02A : Sliding Window Lock

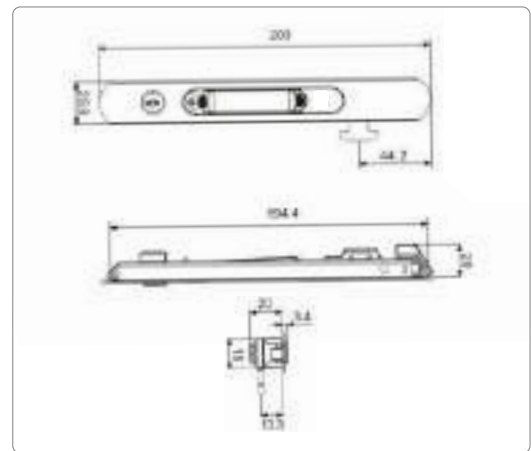


ISHS - 03 : Sliding Door Lock

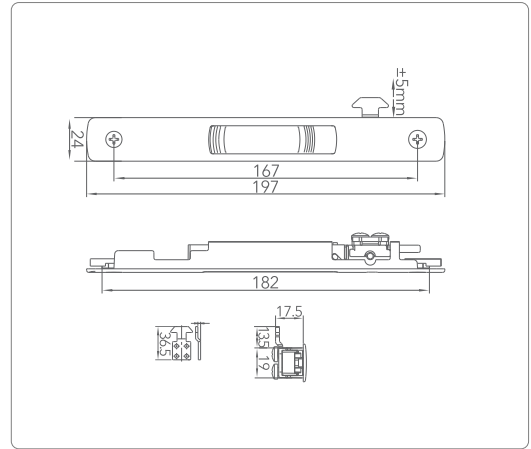
SLIDING HANDLES



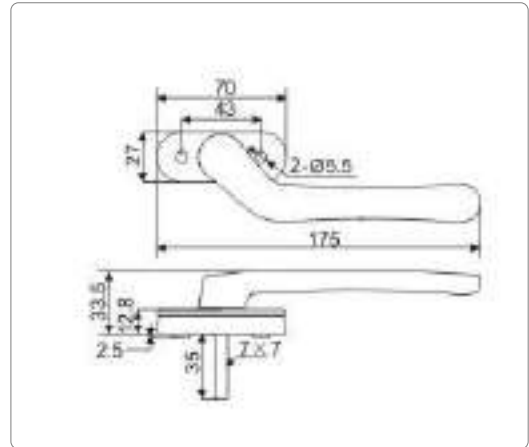
ISHS - 03A : Sliding Door Lock (Manual)



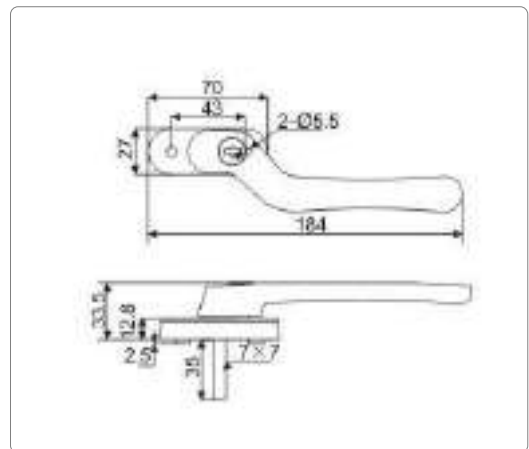
ISHS - 03L : Sliding Door Lock With Key



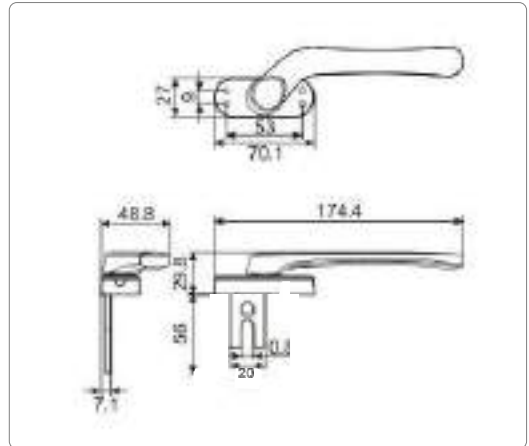
ISHS-03S : Sliding Door Lock (Adjustable)



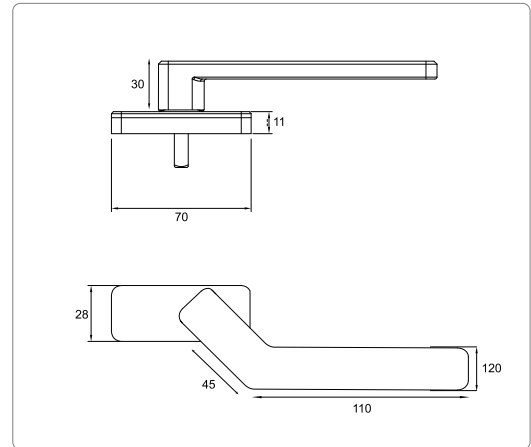
IUSLNH28L/28R : Sliding Short Neck Handle Without Key



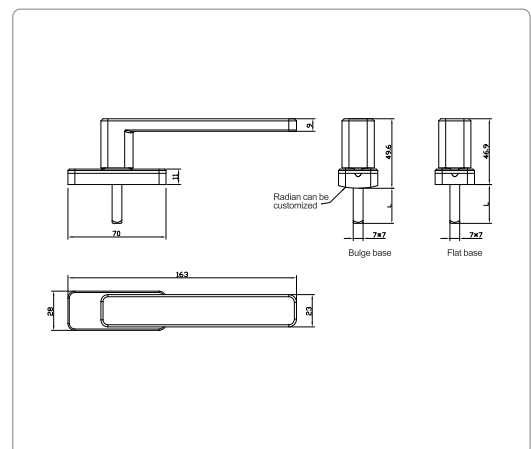
IUSLNH28L/28R : Sliding Short Neck Handle With Key



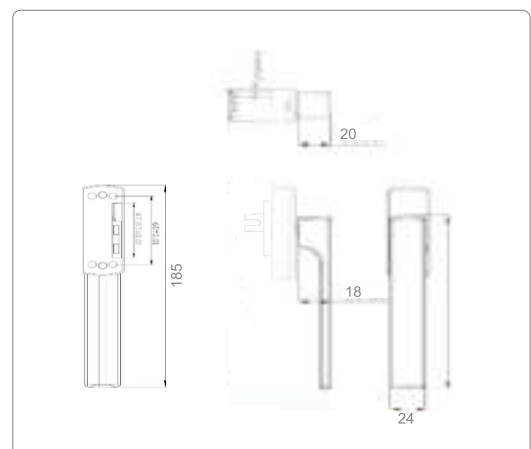
ISHS-08L/08R : Sliding Door Handle With Fork



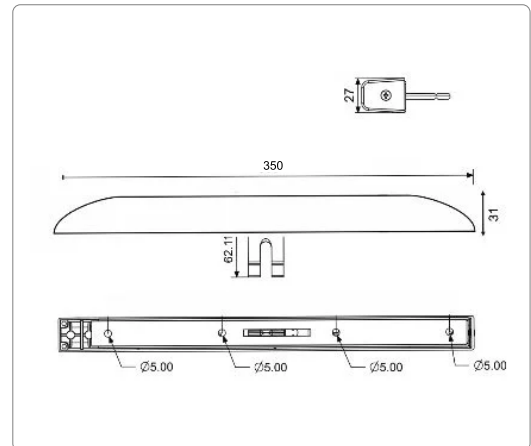
IASF-LN-10R/10L : Sliding Short Neck Handle With Spindle



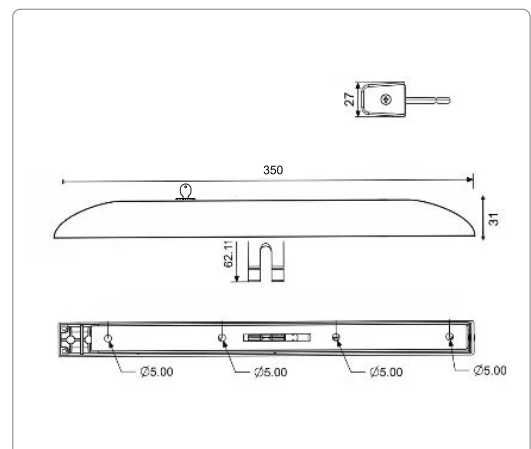
IASH-LH-12 : Sliding Handle With Spindle



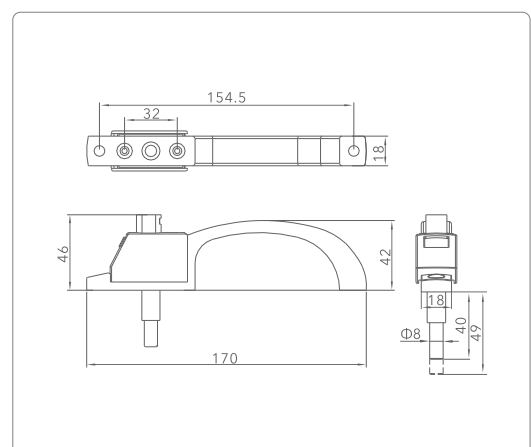
IASH-LN-11 : Sliding Short Neck Handle With Fork



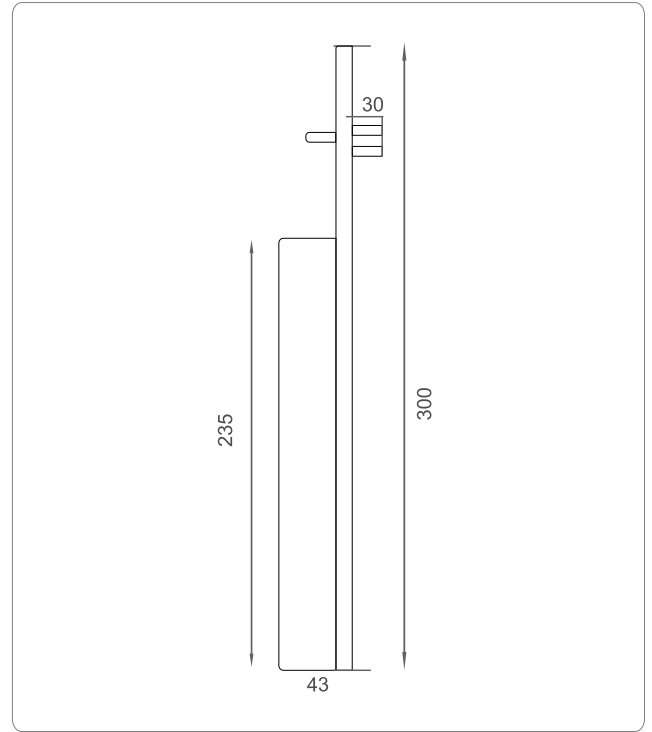
ISHS - 07 : Metro Handle



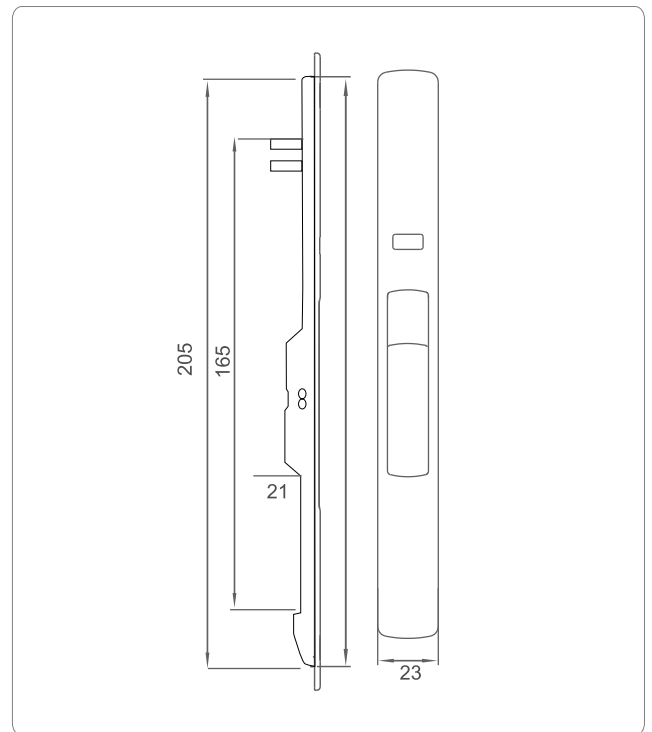
ISHS - 07L : Metro Handle With Key



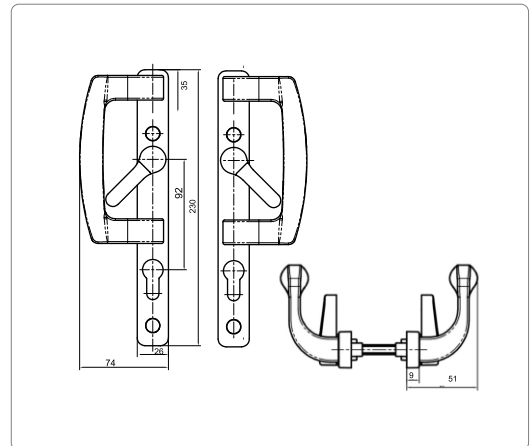
ISHS - 05 : Sliding Central Locking Handle



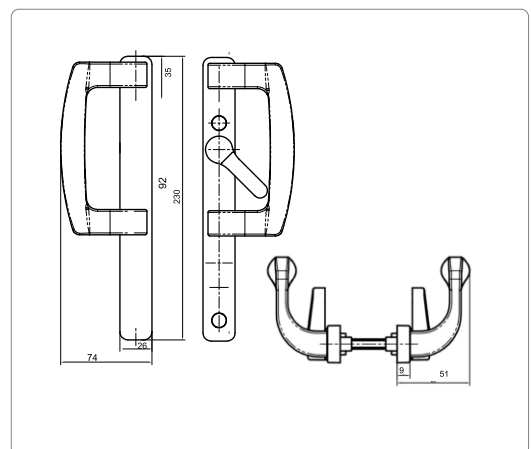
IASH-LP-12F : Sliding Long Handle With Fork



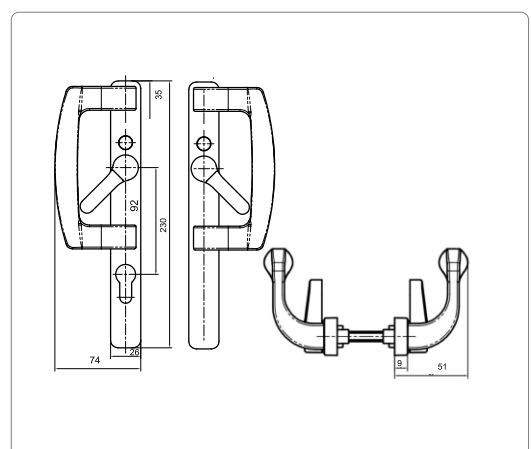
IASF-9F : Sliding Concealed Handle With Fork



IUSDHDT25 : D Type Handle, Both Side Lever & Cylinder Hole

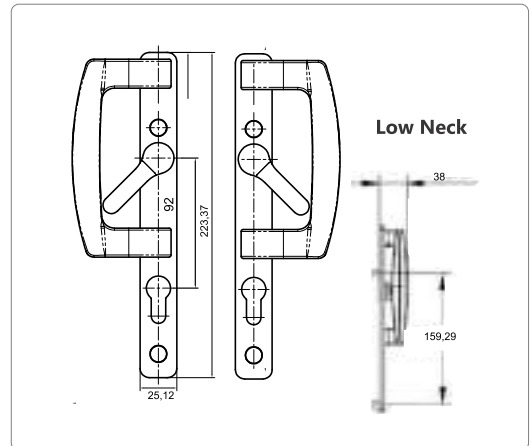


IUSDHDT25 : D Type Handle, One Side Lever & One Side Plain

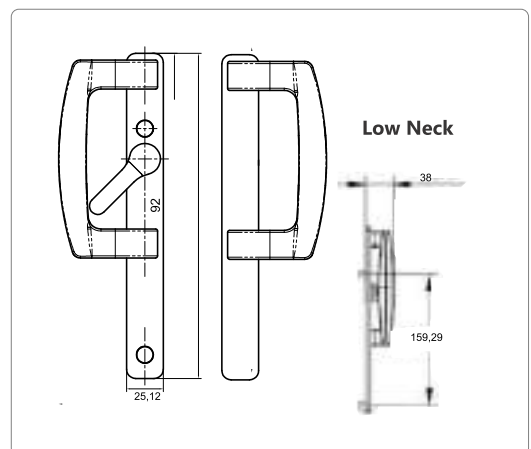


IUSDHDT25[1C1D]: D Type Handle, One Side Cylinder Hole & Lever & One Side Plain

SLIDING HANDLES



IUSDHDT25L : Low Neck D Type Handle, Both Side Lever & Cylinder Hole



IUSDHDT25L : Low Neck D Type Handle, One Side Lever & One Side Plain



IASR-01

Load Capacity 40kg
27/29mm Sliding Series



IASR-01A

Load Capacity 60kg
27/29mm Sliding Series



IASR-02

Load Capacity 60kg
27/29mm Sliding Series



IASR-02A

Load Capacity 100kg
27/29mm Sliding Series



IASR-03

Load Capacity 20kg
27/29mm Sliding Series



IASR-04

Load Capacity 60kg
37mm Sliding Series



IASR-05

Load Capacity 120kg
27/29/32/37mm Sliding Series



IASR-12 (U Groove)

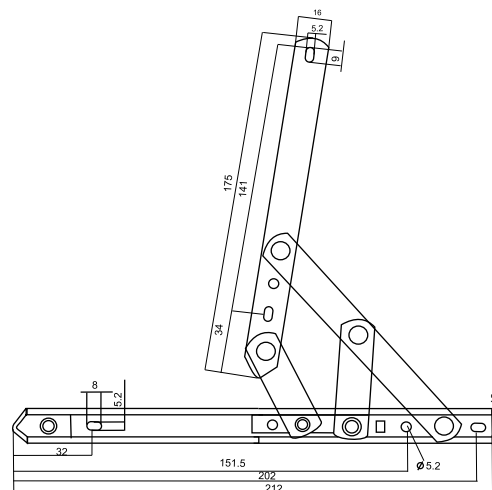
Load Capacity 150kg
27/29/32/37mm Sliding Series



IASR-13 (U Groove)

Load Capacity 100kg
27/29/32/37mm Sliding Series





Premium Series

Material - SS304

Base Width - 18MM Square Groove

No.	Item Code	Size (Inch)	Stack Height (MM)	Number of Arms	Bar Thickness	Opening Angle	Max Height (MM)	Max Width (MM)	Max Sash Weight (kg)
1	IUFSL2008	8	13	4	2mm	60° + 2°	1200	350	11
2	IUFSL2010	10	13	4	2mm	90° + 2°	1200	500	16
3	IUFSL2012	12	13	4	2mm	90° + 2°	1200	600	18
4	IUFSL2014	14	13	4	2mm	90° + 2°	1200	650	22
5	IUFSL2016	16	13	4	2mm	90° + 2°	1200	700	25
6	IUFSL2018	18	13	4	2mm	90° + 2°	1200	750	28
7	IUFSL2020	20	13	5	2mm	90° + 2°	1200	1000	32

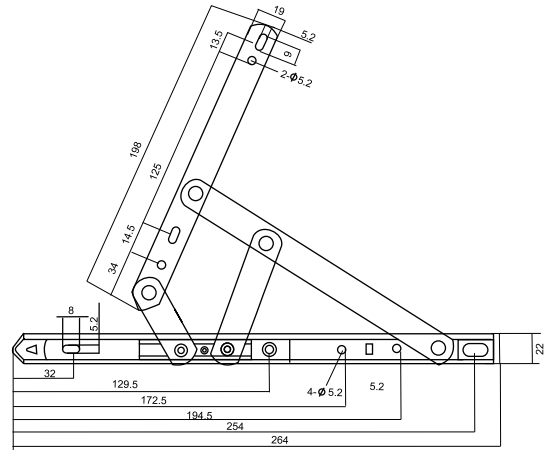
Premium Plus Series

Material - SS304

Base Width - 18MM Square Groove

No.	Item Code	Size (Inch)	Stack Height (MM)	Number of Arms	Bar Thickness	Opening Angle	Max Height (MM)	Max Width (MM)	Max Sash Weight (kg)
1	IUFSH2508	8	16.5	4	2.5 mm	60° + 2°	1400	350	13
2	IUFSH2510	10	16.5	4	2.5 mm	90° + 2°	1400	500	16
3	IUFSH2512	12	16.5	4	2.5 mm	90° + 2°	1400	600	19
4	IUFSH2514	14	16.5	4	2.5 mm	90° + 2°	1400	650	21
5	IUFSH2516	16	16.5	4	2.5 mm	90° + 2°	1400	700	25
6	IUFSH2518	18	16.5	4	2.5 mm	90° + 2°	1400	750	28

FRICTION STAY

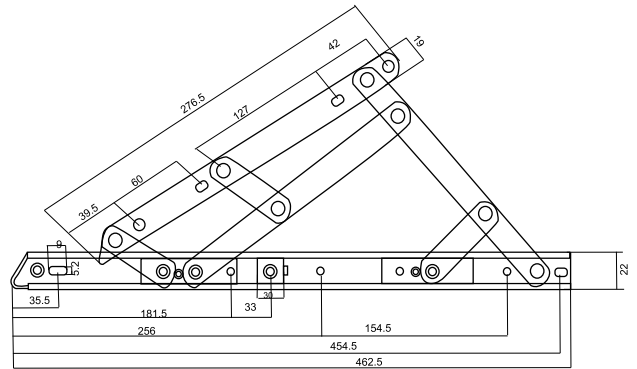


Platinum Series

Material - SS304

Base Width - 22MM Square Groove

No.	Item Code	Size (Inch)	Stack Height (MM)	Number of Arms	Bar Thickness	Opening Angle	Max Height (MM)	Max Width (MM)	Max Sash Weight (kg)
1	IUFSH2210	10	16.5	4	2.5 mm	90° + 2°	1500	600	36
2	IUFSH2212	12	16.5	4	2.5 mm	90° + 2°	1500	650	40
3	IUFSH2214	14	16.5	4	2.5 mm	90° + 2°	1500	700	44
4	IUFSH2216	16	16.5	4	2.5 mm	90° + 2°	1500	900	50



Platinum Plus Series

Material - SS304

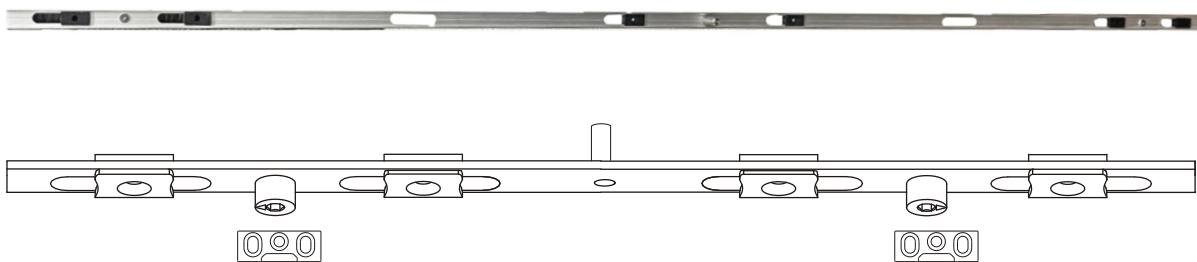
Base Width - 22MM Square Groove

No.	Item Code	Size (Inch)	Stack Height (MM)	Number of Arms	Bar Thickness	Opening Angle	Max. Height (MM)	Max. Width (MM)	Max. Sash Weight (kg)
1	IFHD2218	18	16.5	5	3mm	30° + 2°	1400	1500	90
2	IFHD2220	20	16.5	6	3mm	30° + 2°	1500	1500	100
3	IFHD2222	22	16.5	6	3mm	30° + 2°	1600	1500	112
4	IFHD2224	24	16.5	6	3mm	30° + 2°	1800	1800	120
5	IFHD2226	26	16.5	6	3mm	30° + 2°	1900	1900	125
6	IFHD2228	28	16.5	6	3mm	30° + 2°	2000	2000	130



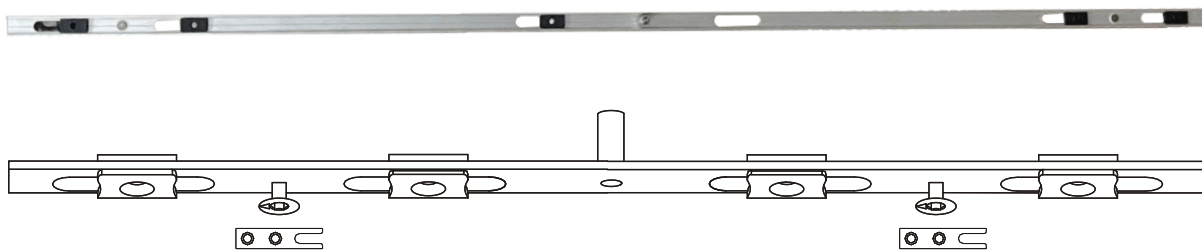
Casement Non Euro Groove Espag

Size Available : 800mm, 1000mm, 1200mm



Sliding Non Euro Groove Espag

Size Available : 800mm, 1000mm, 1200mm





IAGB75
Sliding Gear Box
7.5mm Axis



IAGB15
Sliding Gear Box
15mm Axis



IAGB25
Casement Gear Box
25mm Axis



IAGB30
Casement Gear Box
30mm Axis



IACC-01

27/29 mm
Sliding Series



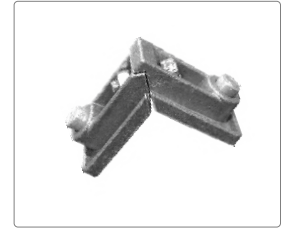
IACC-02

35 mm
Sliding Series



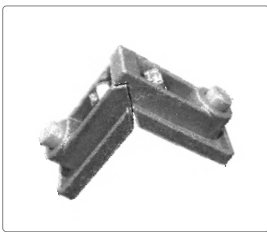
IACC-03

Sliding Corner Cleat
(37 mm Sliding Series)



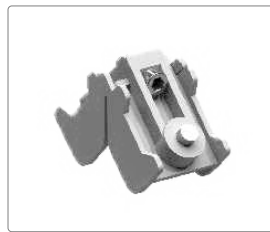
IACC-04

40 mm
Casement Series



IACC-05

50 mm
Window Frame



IACC-06

50 mm Window Sash
Casement Window
Corner Cleat



IACC-07

29 mm
Slim Line Corner Cleat



IACC-08

29 mm
Slim Line Corner Cleat



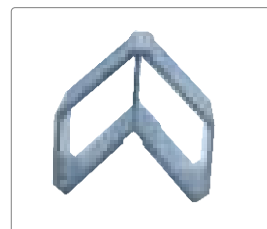
IACC-09

40 mm
Mullion Connector



IACC-10

50 mm
Mullion Connector



IACC-11

50 mm
Hollow Cleat Adapter

ACCESSORIES



Inter Lock Cap



Anti Lift Rafting Guide



Top U Guide



Lock Guide Stopper



Lock Guide



Dust Pad



Drain Slot Cover



Screw Hole Cap



Espag Holder



Anti Lift With Lock Guide Stopper



Shutter Wing Connector



Shutter Wing Connector



Bump Stopper



Bump Stopper (Metallic)



Polymide Strip



Striker Packer



Rod Connecting Device



T-Connector



Center Connector



Fork Handle Connector



T-Nib



J-Nib



Nib Holder One Way



Nib Holder



Frame Striker (Slimline)



Frame Striker



One Way Connector Locking Device



Two Way Connector Locking Device



Multi locking Device



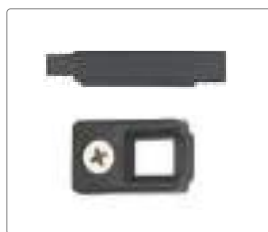
Gear Striker



Gear Striker-01



Pawl



Top & Bottom Locking Point



Connect Block




Sliding Striker



Fork Extension


insta[®]
for a smoother life

Glorious Products India Pvt. Ltd.

 +91-11-40743510/11

 info@instahardwares.com

 www.instahardware.com

 910, 9th Floor, Netaji Subash Place,
Pitampura, Delhi-110034



Scan For More