

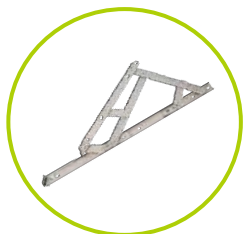
**insta**<sup>®</sup>  
for a smoother life



COMPLETE RANGE OF

**uPVC**

DOOR & WINDOW HARDWARE



# COMPANY PROFILE



**At Insta Hardware,** we are a team of highly talented, experienced, and award-winning architects and designers who are dedicated to delivering exceptional architectural solutions. Our company's journey began with Mr. Satish Gupta's visionary decision to diversify the family business and explore new avenues of opportunity. With his extensive 30 years of experience in civil construction, it was a natural progression to establish a firm that would elevate the standards of the industry. Since our launch in 2008, Insta Hardware has steadily grown from strength to strength, fueled by our unwavering commitment to excellence. We uphold the highest standards of professionalism and utilize best practices in every aspect of our operations. Our team of professionals constantly strives for continuous improvement, ensuring that our processes are refined to deliver unrivaled customer satisfaction.

Our diverse range of products and an ever-expanding list of satisfied customers bear testimony to our dedication to providing the very best the world has to offer to the discerning Indian market. We believe in sourcing products only from the most esteemed international manufacturers, ensuring that we offer the highest quality architectural solutions that are relevant to the needs of our Indian clientele.

At Insta Hardware, we embody the values of value, design, longevity, and environmental consciousness. These qualities are at the core of everything we do. We understand the importance of providing products that not only meet the highest standards of functionality and aesthetics but also contribute to sustainable practices. By embracing environmental consciousness, we aim to create a better future while delivering exceptional value to our customers.

With our headquarters located in the vibrant city of New Delhi, we are strategically positioned to cater to a diverse range of architectural projects across the country. Whether it's residential, commercial, or institutional spaces, our team is equipped with the expertise and creativity to bring your vision to life.

# Warranty Certificate

THIS IS TO CERTIFY THAT WE INSTA WARRANTY OUR PRODUCT  
AGAINST MANUFACTURING DEFECT FOR A MINIMUM PERIOD OF 10 YEARS,  
OUR WARRANTY WILL BE VALID IF THE PRODUCT ARE NOT  
MISUSED, IMPROPERLY ASSEMBLED OR DAMAGE  
IN ANY WAY.

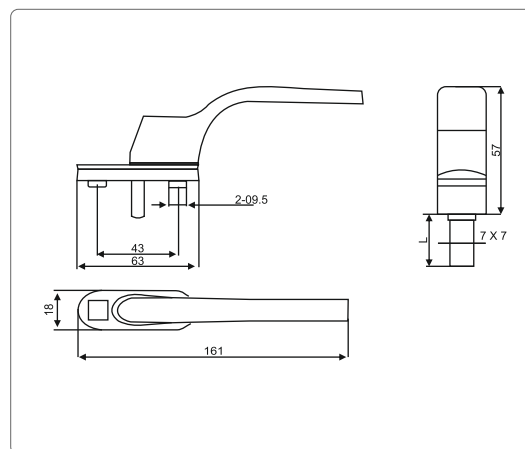


  
**Satish Gupta**  
Director

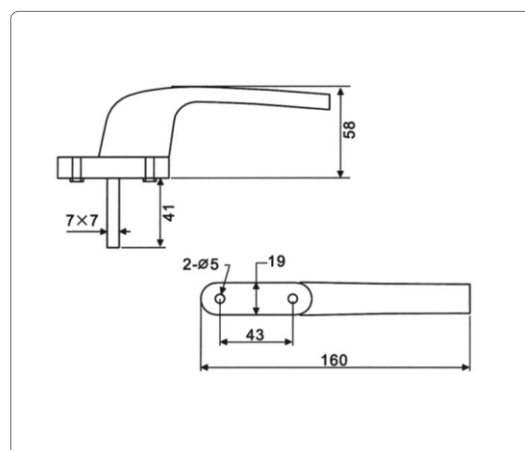
**GLORIOUS PRODUCTS (INDIA) PVT. LTD.**  
ARCHITECTURAL BUILDING HARDWARE

# Casement Series

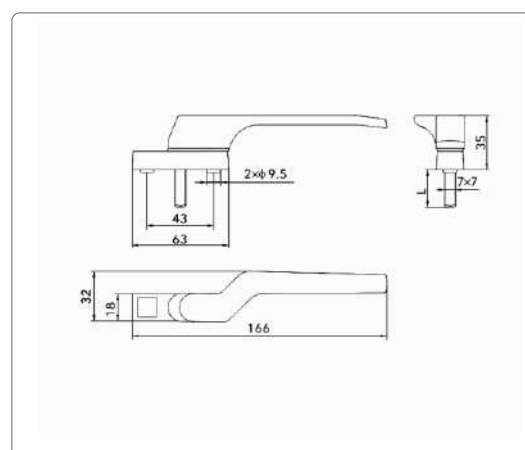
## Handles



**IUCWH40** : Casement Window Handle

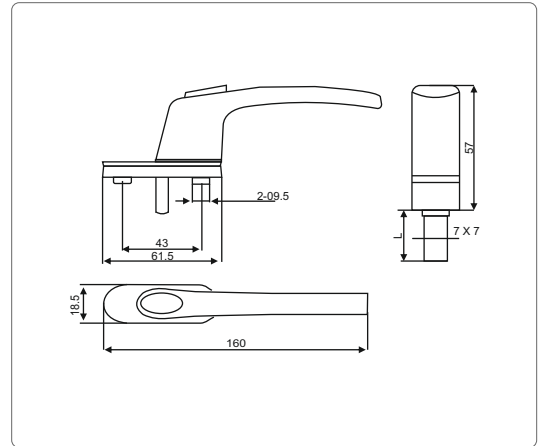


**IUCWHWOK40** : Casement Window Handle

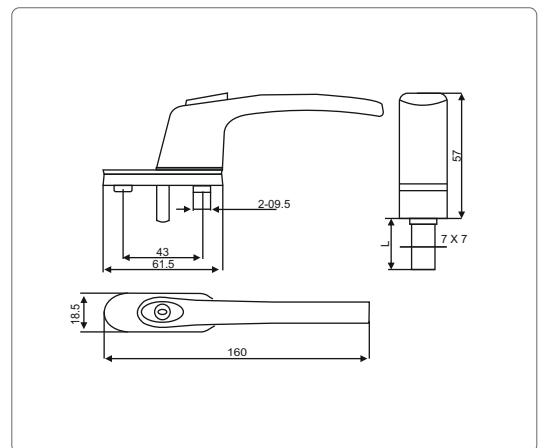


**IUCWLHN18L/18R** : Casement Short Neck, Left/Right

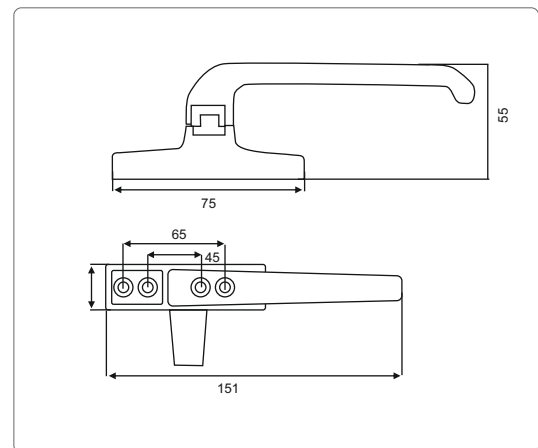
## Handles



**IUCWHPB18** : Casement Window Handle With Push Button



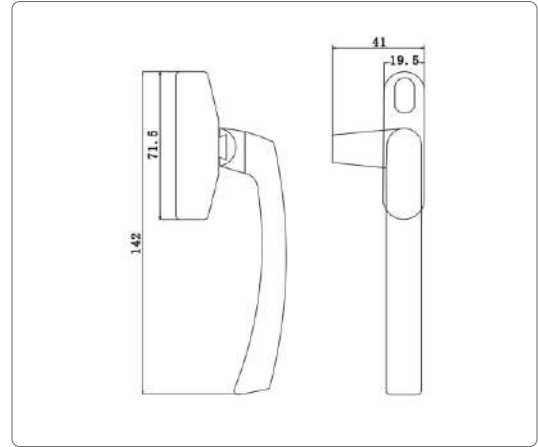
**IUCWHKC18** : Casement Window Handle Push Button With Key



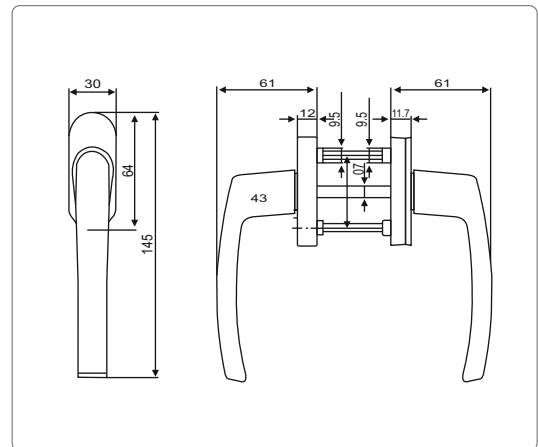
**IUCW75L18 / IUCW75R18** : Cockspur Handle, Left / Right

# Casement Series

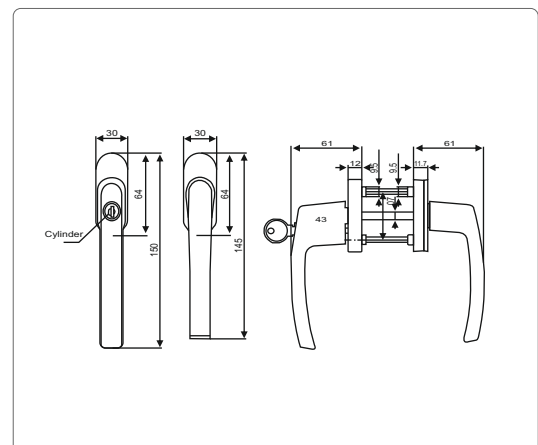
## Handles



**IUCWP70L20/R20** : Cockspur Handle (Premium) Left / Right

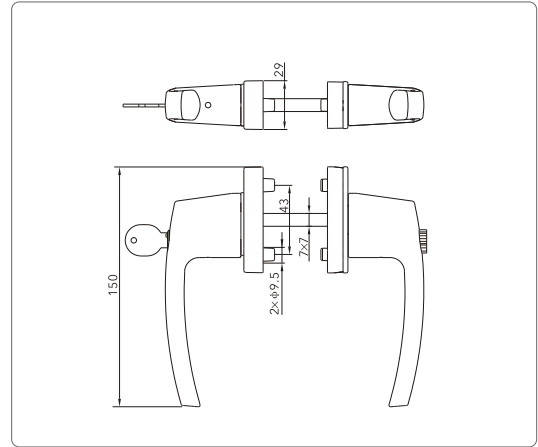


**IUCDDH30** : Casement Door Double Handle Without Key

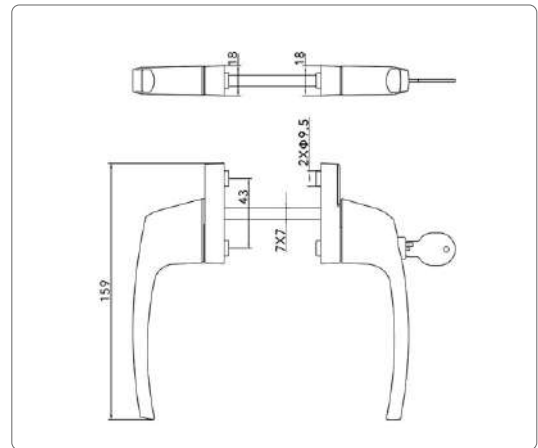


**IUCDDHK30** : Casement Door Double Handle With Key

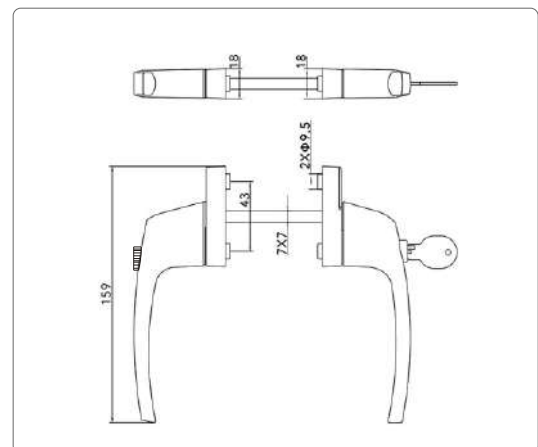
## Handles



**IUCDDHKB30** : Casement Door Double Handle, One Side Key, One Side Knob



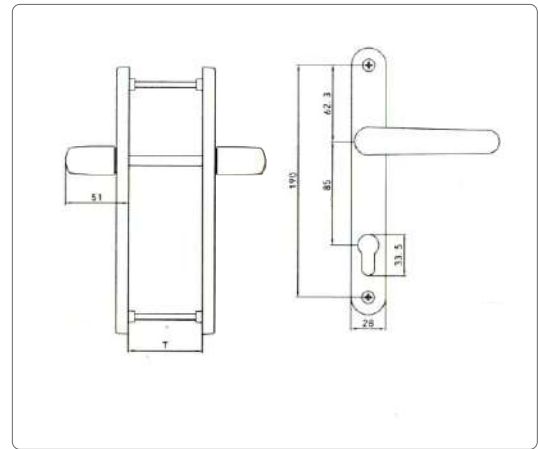
**IUCWHK18** : Casement Window Handle, One Side Key, One Side Plan



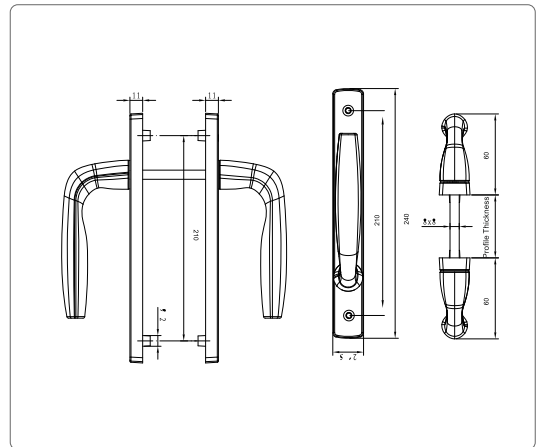
**IUCWHKB18** : Casement Window Handle, One Side Key, One Side Knob

# Casement Series

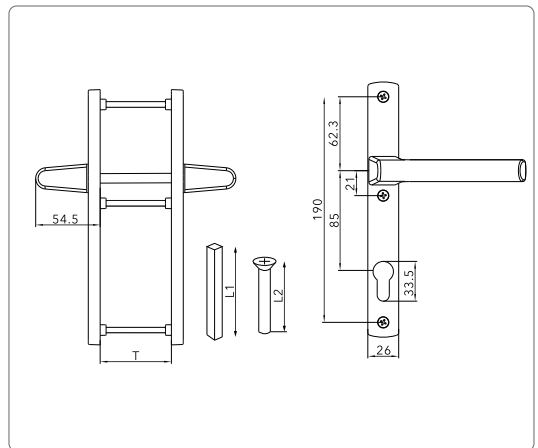
## Handles



**IUCDHSWK30** : Casement Door Handle Set With Cylinder



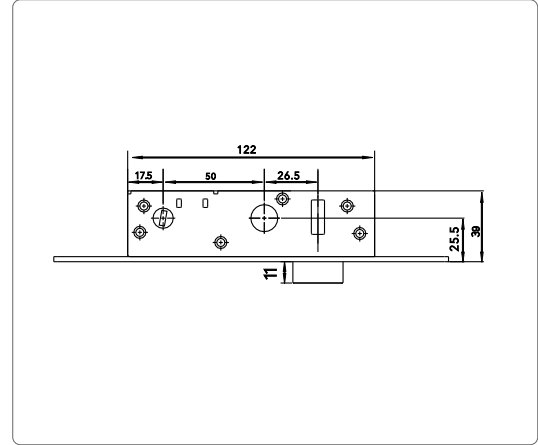
**IUCDHSWK30PR** : Casement Door Handle Set



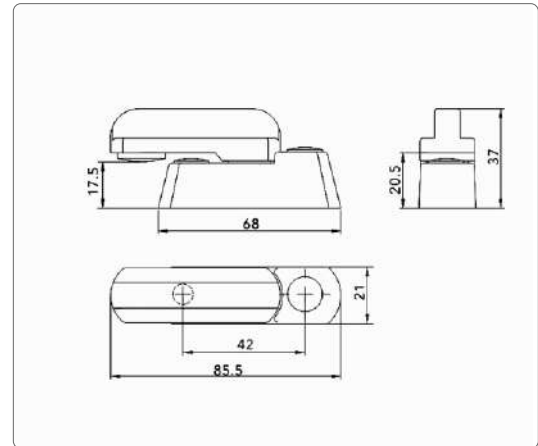
**IAMH-04**:Casement Door Handle Set (Premium)



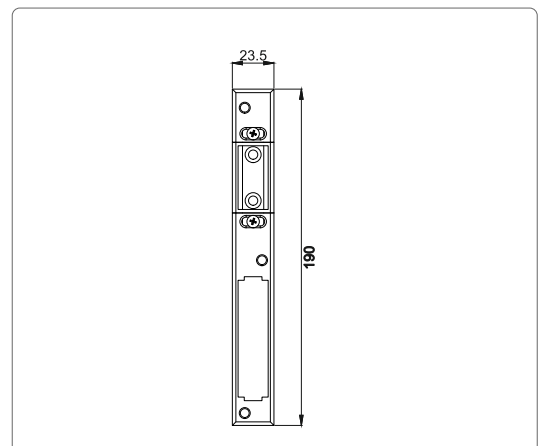
## Handles



**IUCWCS35** : WC Set With Handle, Latch, Knob & Counter Plate



**SASH JAMER** : Handle



**IUCDHSL200** : Casement Lock Latch

# Casement Series

## Cylinders & Cover



**IMLC - 1** Cylinder With Both Side Key



**IMLC - 2** Cylinder With One Side Key & One Side Knob



**IMLC - 3** Half Cylinder With One Side Key



**IMLC - 4** Half Cylinder With One Side Key & One Side Knob



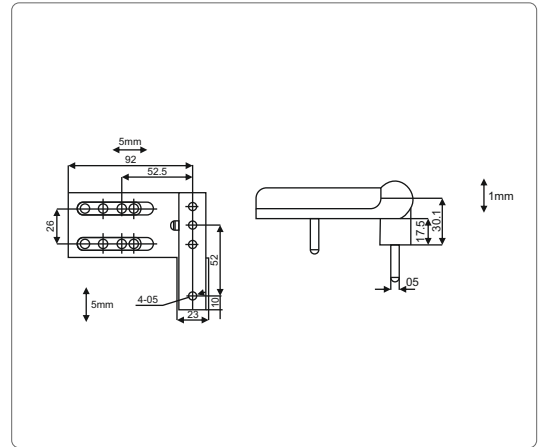
**IMLC-1** (Offset) 85mm,80mm  
(40mm-45mm) (50mm-30mm)



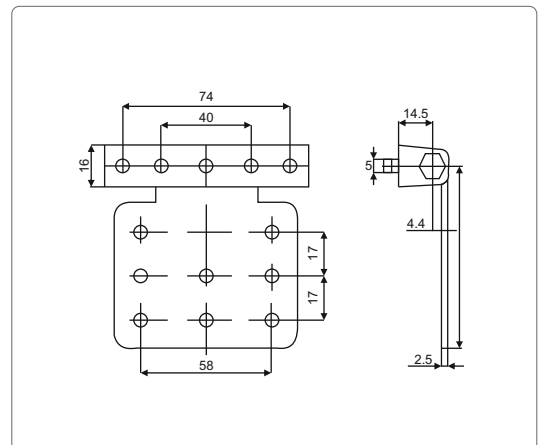
**IUCDDC316** Cylinder Cover RAL 9016

\*Cylinder is also available in the box size.

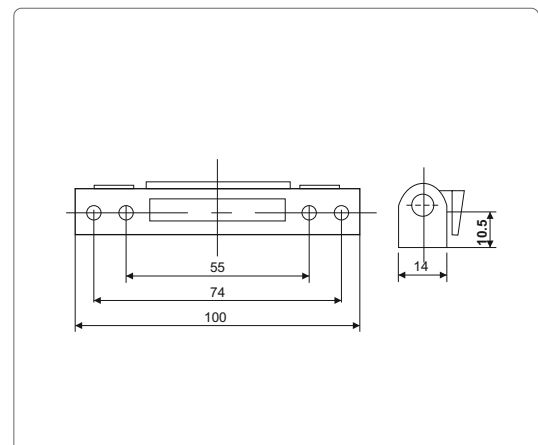
## Hinges



**IUCD3DH80/120** : 3D Hinges For Door Bearing Weight 80 KG / 120 KG



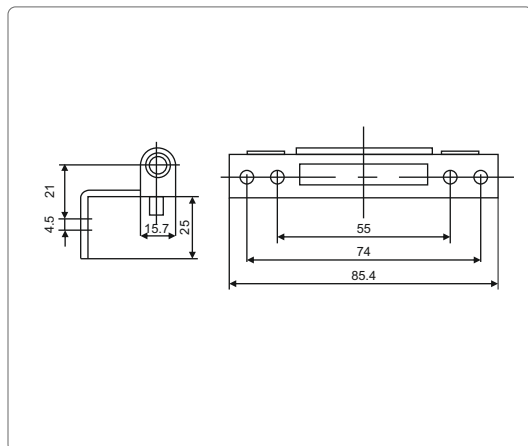
**IUCDFH516** : Casement Door Flat Hinge



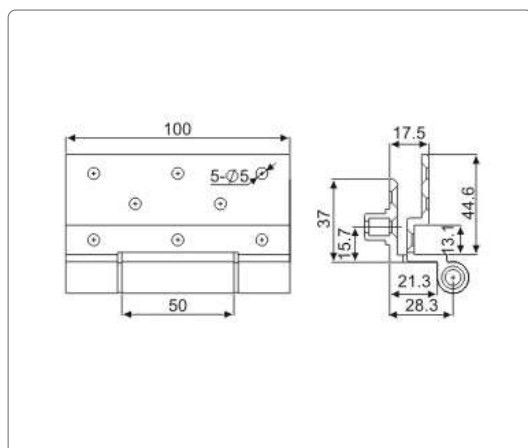
**IUCDBH516** : Casement Door Butt Hinge

# Casement Series

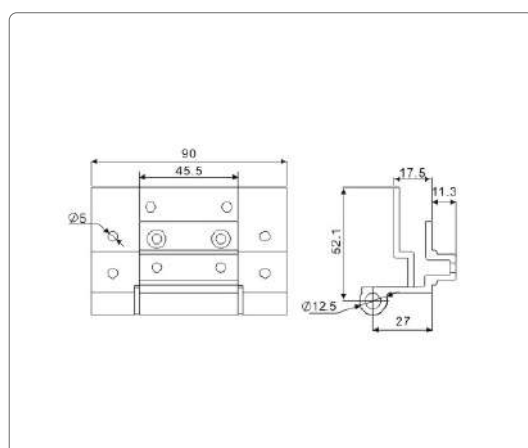
## Hinges



**IUCDLH516** : Casement Door L Hinge



**IUCDCH516H** : Concealed Hinge Door



**IUCWCH516** : Concealed Hinge Window

## Espagnolette (Espags)

### Casement Window Espag

Specification : 22 MM Backset, 400-1800 MM Length



Available in White Zinc Plating & Chrome +3 Passivation Coating				
No.	Description	Item Code	L	Locking Point & Keeper
1	Espagnolette for Casement Window (Backset: 22 mm)	IUCWB2204	400	2
2		IUCWB2206	600	2
3		IUCWB2208	800	2
4		IUCWB2210	1000	2
5		IUCWB2212	1200	3
6		IUCWB2214	1400	3
7		IUCWB2216	1600	4
8		IUCWB2218	1800	4

### Casement Door Espag without Cylinder

Specification : 30 MM Backset, 1600-1800 MM Length



Available in White Zinc Plating & Chrome +3 Passivation Coating				
No.	Description	Item Code	L	Locking Point & Keeper
1	Espagnolette for Casement Door (Backset: 30 mm)	IUCDB3016	1600	4
2		IUCDB3018	1800	4

### Casement Door Espag with Cylinder

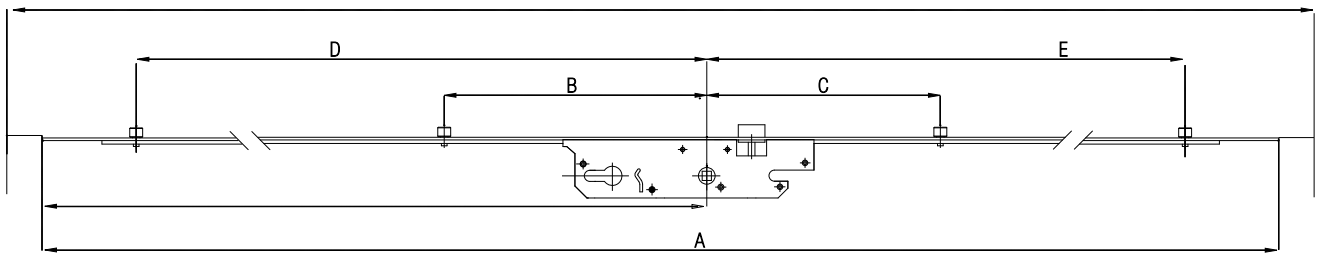
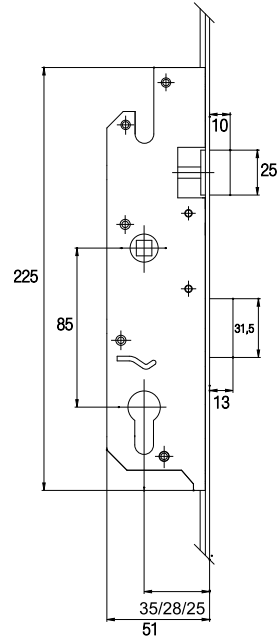
Specification : 35 MM Backset, 1600-1800 MM Length



Available in White Zinc Plating & Chrome +3 Passivation Coating				
No.	Description	Item Code	L	Locking Point & Keeper
1	Espagnolette for Casement Door (Backset: 35 mm)	IUCDB3516	1600	4
2		IUCDB3518	1800	4

# Casement Series

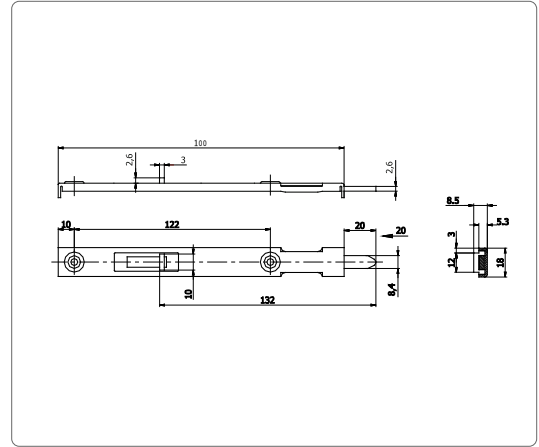
## Espagnolette (Espags)



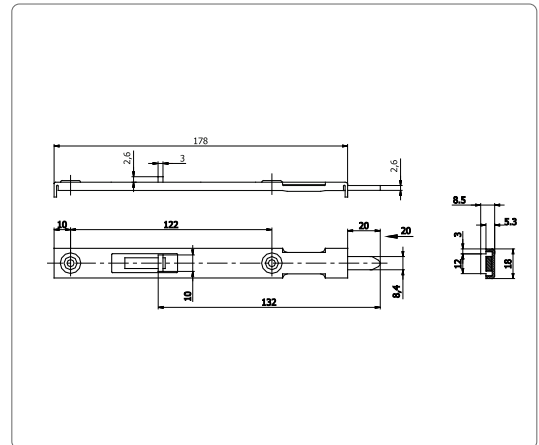
**IUCDL8518**

Casement Door Espag 35/28/25 MM, 1800MM

## Shoot Bolt



**IUCDSB04** : Shoot Bolt 4"



**IUCDSB06** : Shoot Bolt 6"

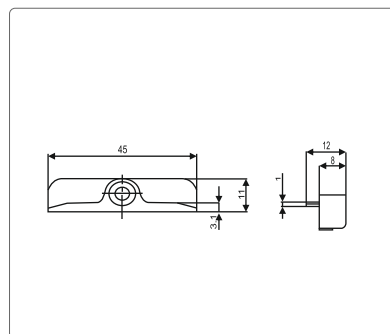


**IUCDSB08** : Shoot Bolt 8"

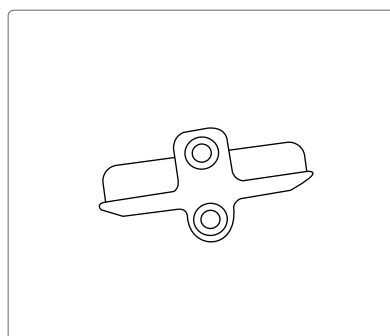
**IUCDSB08** : Shoot Bolt 8" Eco

# Casement Series

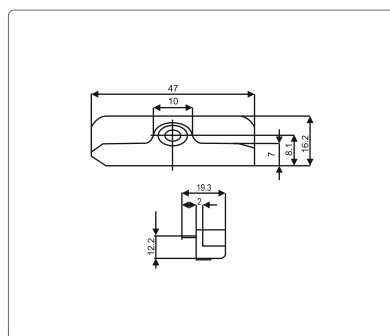
## Keepers



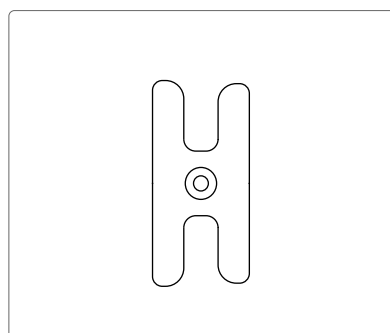
**IUCSWD** : Casement Window Striker



**IUCSWD2** : Casement Window Striker



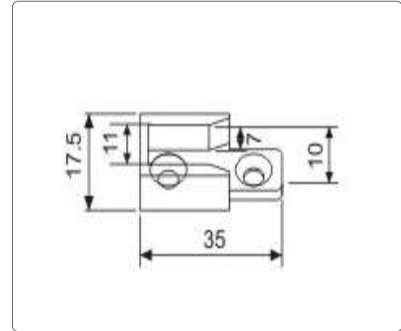
**IUCSDDEGM** : Casement Door Striker



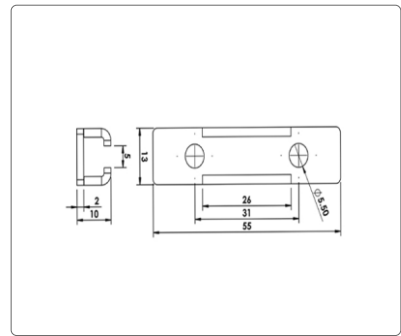
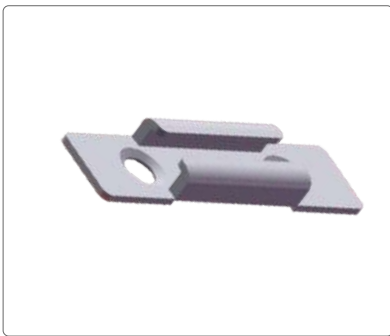
**IUCSD** : H Type



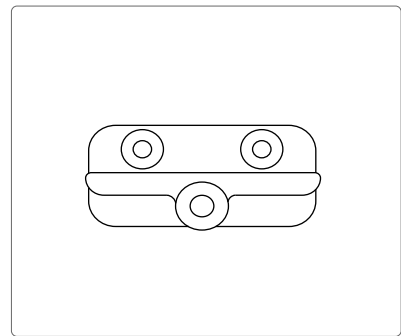
## Keepers



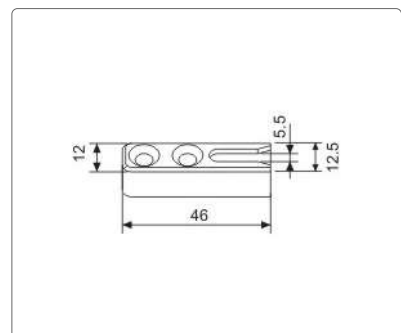
**IUCSFD** : Keep For French Door



**IUSEK-1** : Sliding Striker

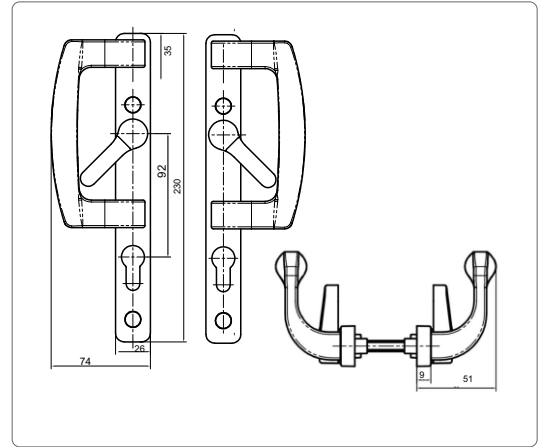


**IUCSD-01** : German Casement Keep

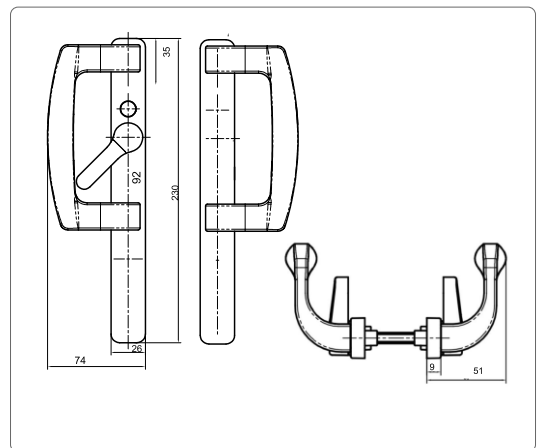


**IUSEK-02** : Sliding Striker

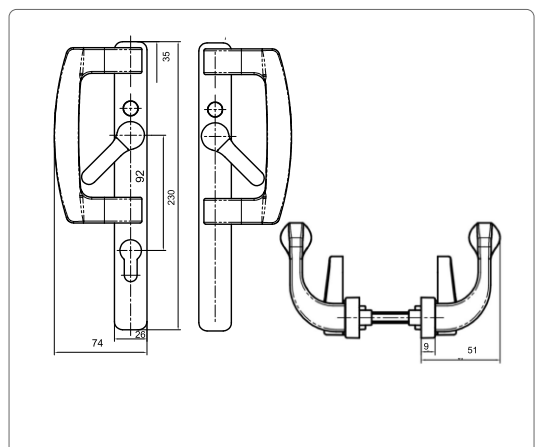
## Handles



**IUSDHDT25** : Sliding Door D Type Handle With Cylinder Hole

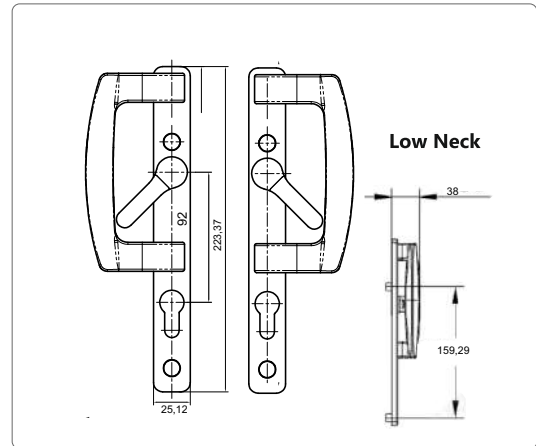


**IUSDHDT25** : Sliding Door D Type Handle, One Side Lever, One Side Plain

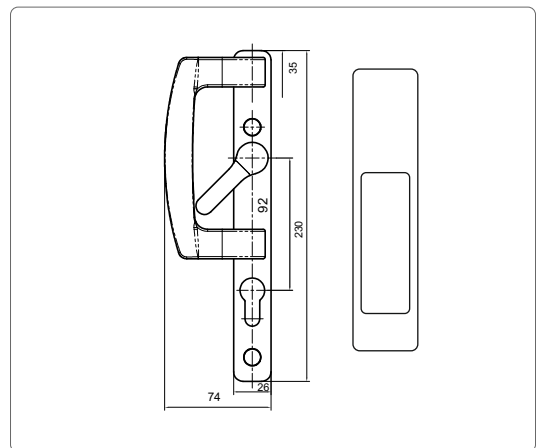


**IUSDHDT25[1C1D]** : D Type Handle, One Side Cylinder Hole & Lever, One Side Plain

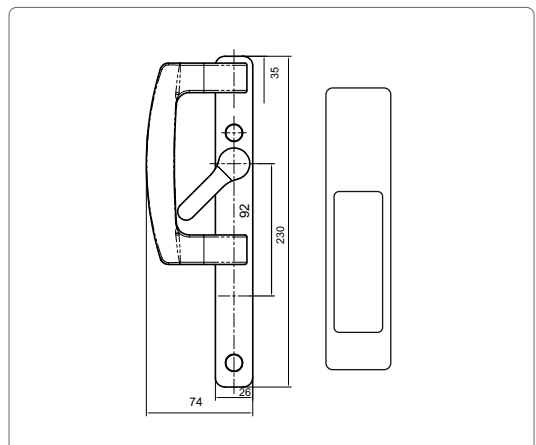
## Handles



**IUSDHDT25** : Low Neck Handle



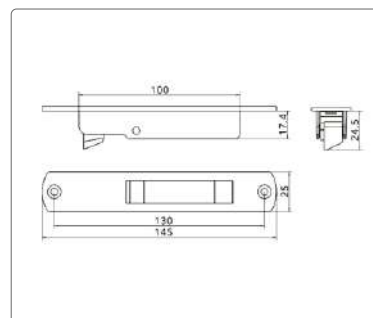
**IUSDHDT[1C1P]** : D Type Handle, With One Side Cylinder Whole & Lever, One Side Pull Plate



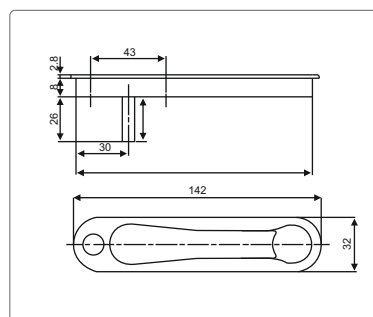
**IUSDHDT[1L1P]** : D Type Handle, With One Side Lever, One Side Pull Plate

# Sliding Series

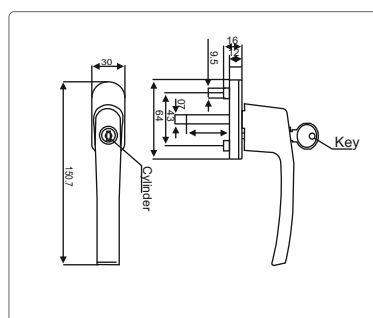
## Handles



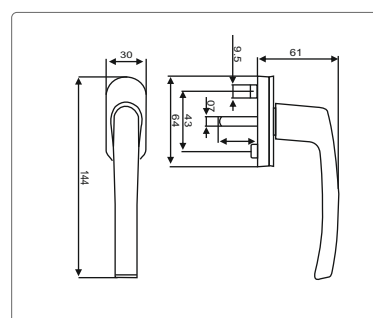
**IUSWTLL16 / IUSWTLR16** : Touch Lock **TLSSK - 1** : Hook



**IUSDPOP32** : Sliding Door Popup Handle

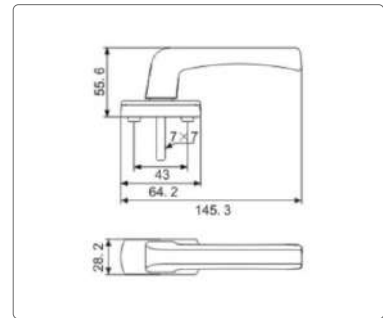


**IUSHWK30** : Sliding Door Handle With Key

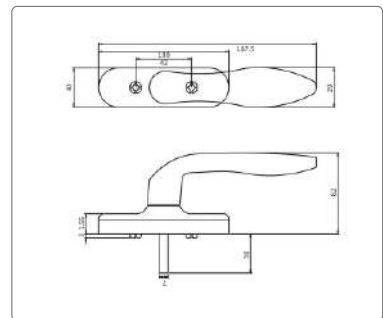


**IUSHWOK25** : Sliding Door Handle

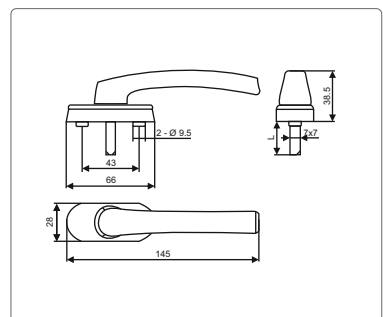
## Handles



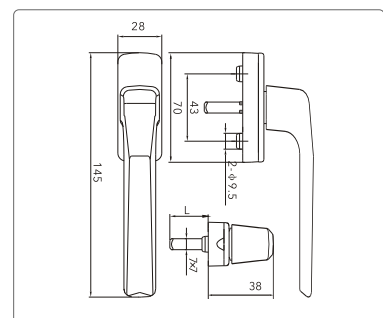
**IUSHWOK25PFM** : Sliding Handle With Low Neck



**IUSHWOKP25** : Sliding Handle In Full Metal

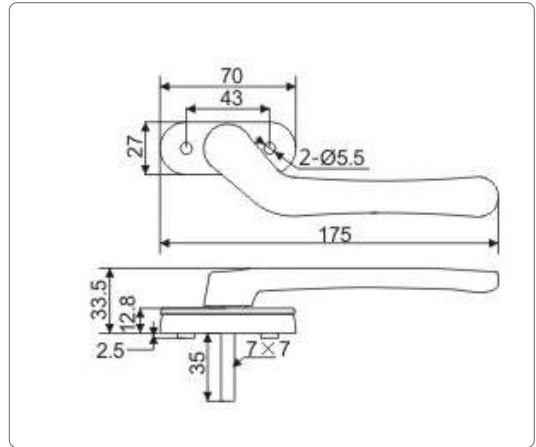


**IUSLNH28** : Sliding Handle With Low Neck



**ISLNHP28** : Sliding Handle With Low Neck

## Handles



**IUSLNHK28L/28R** : Sliding Short Neck Handle With Key



**IUSWCLL22 / IUSWCLR22** :  
Sliding Crescent Lock With Keep **CLK-1**



**IUCSMWH-2** : Handle For Mesh Window

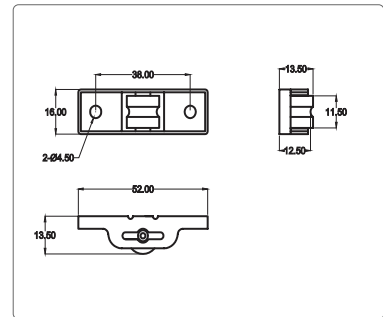


**IUCSMDH-1** : Handle For Mesh Door

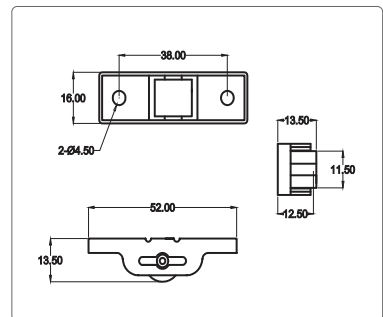


**IUCSMWH-1** : Handle For Mesh Window

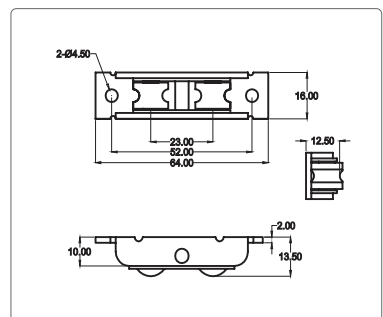
## Rollers



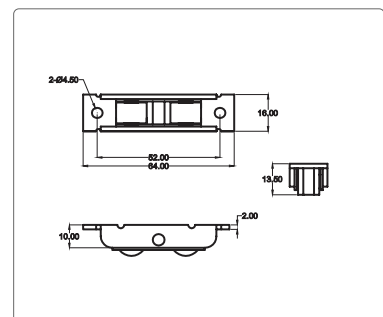
**IUSWRG0213** : Sliding Window Single Nylon Roller With Groove In SS Body



**IUSWRF0213** : Sliding Window Single Nylon Roller Flat In SS Body

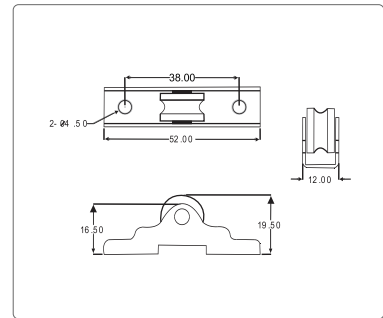


**IUSWDRG0213** : Sliding Window Double Nylon Roller With Groove In SS Body

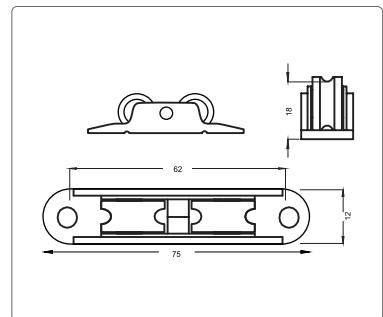


**IUSWDRF0213** : Sliding Window Double Nylon Roller Flat In SS Body

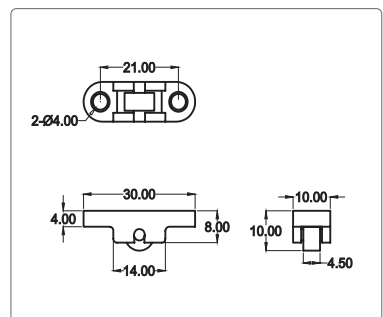
## Rollers



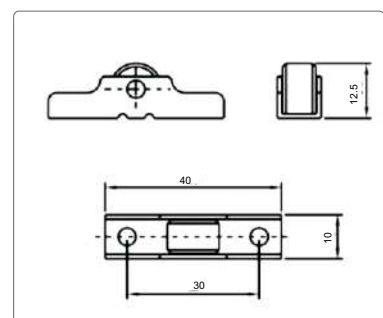
**IUSWBRGO213** : Single Roller With Groove (Ball Bearing) In SS Body



**IUSWBDRGO213** : Double Roller With Groove (Ball Bearing) In SS Body



**IUSWMRP - 1** : Sliding Window Mesh Roller



**IUSWMRM - 1** : Sliding Window Mesh Roller In Metal Body



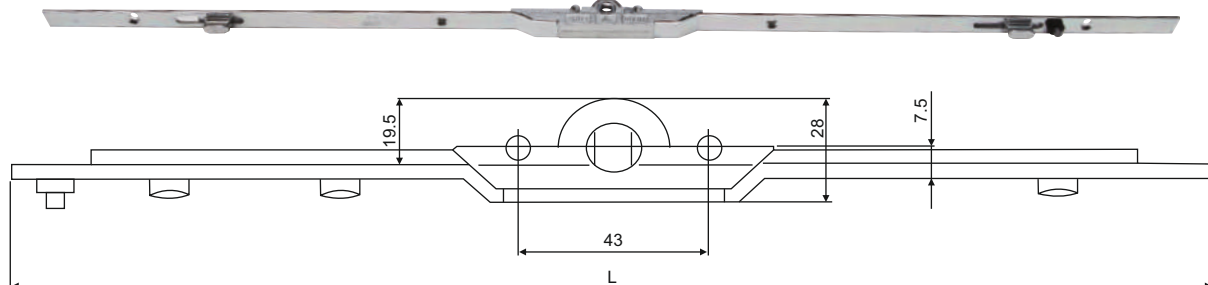


# Sliding Series

## Espagnolette (Espags)

### Sliding Window Espag

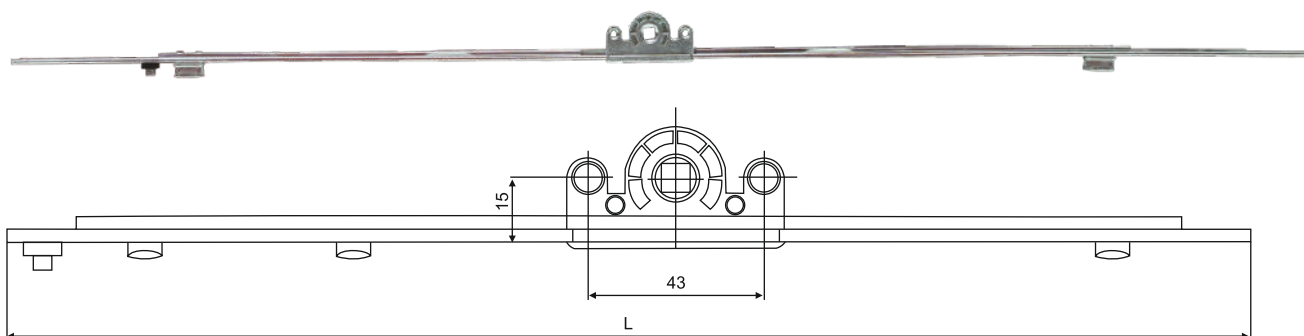
Specification : 7.5 MM Backset, 400-2000 MM Length



Available in White Zinc Plating & Chrome +3 Passivation Coating				
No.	Description	Item Code	L	Locking Point & Keeper
1	Espagnolette for Sliding Window (Backset:7.5mm)	IUSWB7504	400	2
2		IUSWB7506	600	2
3		IUSWB7508	800	2
4		IUSWB7510	1000	2
5		IUSWB7512	1200	3
6		IUSWB7514	1400	3
7		IUSWB7516	1600	4
8		IUSWB7518	1800	4
9		IUSWB7520	2000	4

### Sliding Door Espag

Specification : 15 MM Backset, 400-2000 MM Length



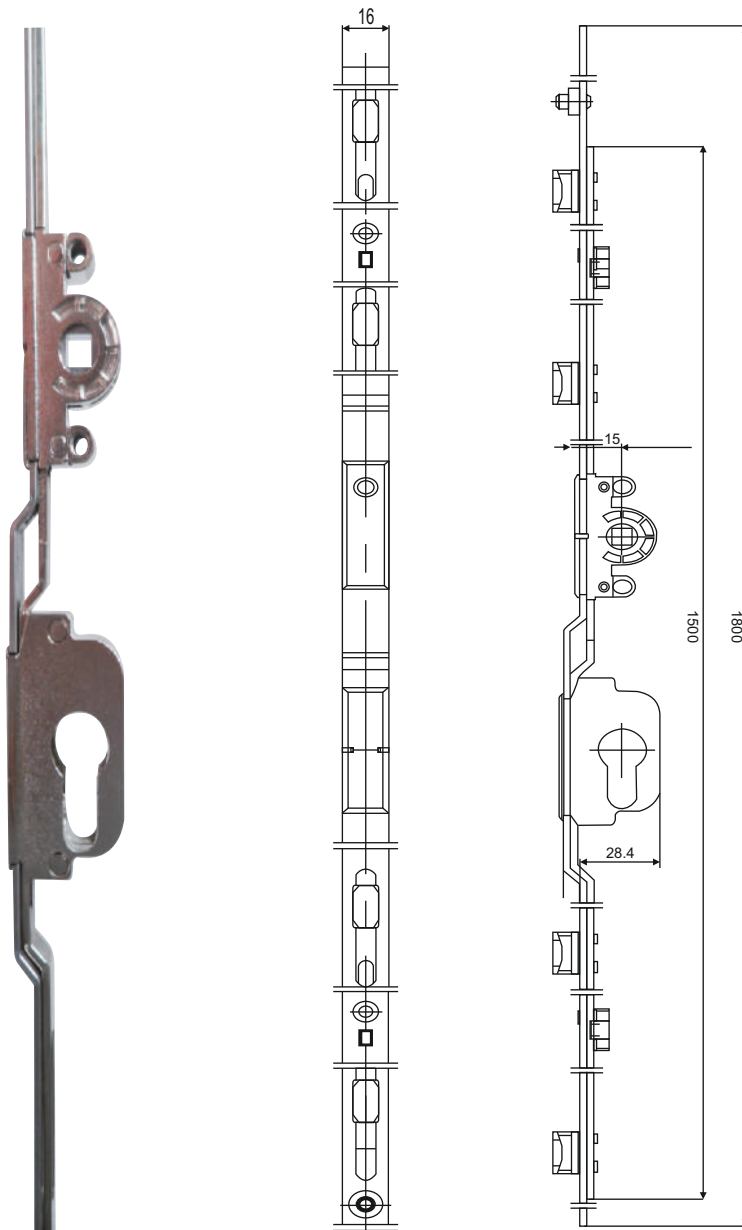
Available in White Zinc Plating & Chrome +3 Passivation Coating				
No.	Description	Item Code	L	Locking Point & Keeper
1	Espagnolette for Sliding Door (Backset: 15mm)	IUSDB1504	400	2
2		IUSDB1506	600	2
3		IUSDB1508	800	2
4		IUSDB1510	1000	2
5		IUSDB1512	1200	3
6		IUSDB1514	1400	3
7		IUSDB1516	1600	4
8		IUSDB1518	1800	4
9		IUSDB1520	2000	4

## Espagnolette (Espags)

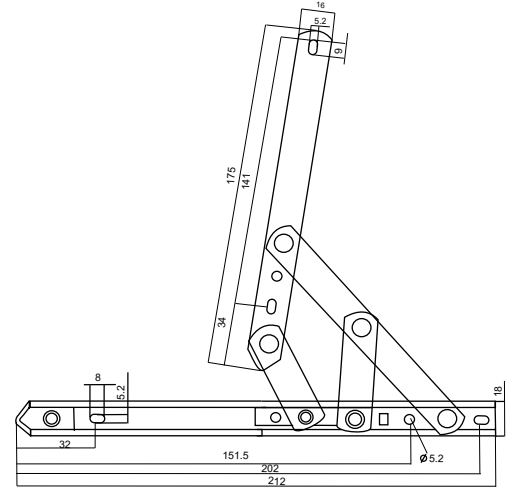
### Sliding Door Espag

Sliding Door Espagnolette With Cylinder Option - BS : 15MM, 1800MM

IUSDDB1518



# Friction Stay Series



## Premium Series

Material - SS304

Base Width - 18MM Square Groove

No.	Item Code	Size (Inch)	Stack Height (MM)	Number of Arms	Bar Thickness	Opening Angle	Max Height (MM)	Max Width (MM)	Max Sash Weight (kg)
1	IUFSL2008	8	13	4	2mm	60° + 2°	1200	350	11
2	IUFSL2010	10	13	4	2mm	90° + 2°	1200	500	16
3	IUFSL2012	12	13	4	2mm	90° + 2°	1200	600	18
4	IUFSL2014	14	13	4	2mm	90° + 2°	1200	650	22
5	IUFSL2016	16	13	4	2mm	90° + 2°	1200	700	25
6	IUFSL2018	18	13	4	2mm	90° + 2°	1200	750	28
7	IUFSL2020	20	13	5	2mm	90° + 2°	1200	1000	32
8	IUFSL2022	22	13	6	2mm	90° + 2°	1200	1100	35
9	IUFSL2024	24	13	6	2mm	90° + 2°	1200	1200	38

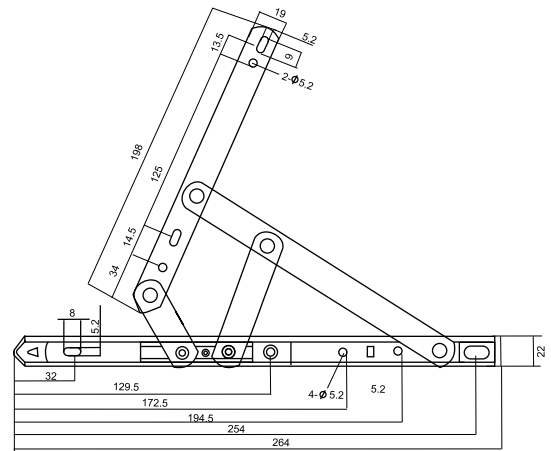
## Premium Plus Series

Material - SS304

Base Width - 18MM Square Groove

No.	Item Code	Size (Inch)	Stack Height (MM)	Number of Arms	Bar Thickness	Opening Angle	Max Height (MM)	Max Width (MM)	Max Sash Weight (kg)
1	IUFSH2508	8	16.5	4	2.5 mm	60° + 2°	1400	350	13
2	IUFSH2510	10	16.5	4	2.5 mm	90° + 2°	1400	500	16
3	IUFSH2512	12	16.5	4	2.5 mm	90° + 2°	1400	600	19
4	IUFSH2514	14	16.5	4	2.5 mm	90° + 2°	1400	650	21
5	IUFSH2516	16	16.5	4	2.5 mm	90° + 2°	1400	700	25
6	IUFSH2518	18	16.5	4	2.5 mm	90° + 2°	1400	750	28

# Friction Stay Series

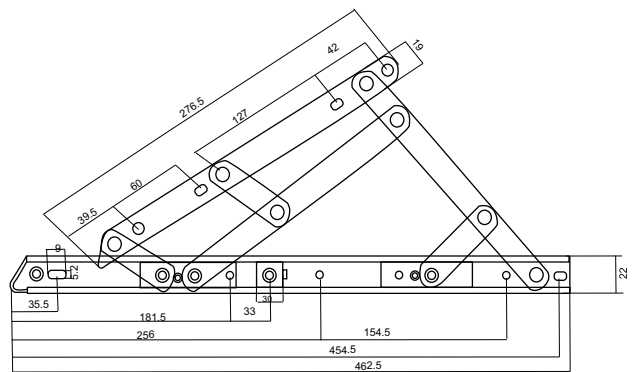


## Platinum Series

Material - SS304

Base Width - 22MM Square Groove

No.	Item Code	Size (Inch)	Stack Height (MM)	Number of Arms	Bar Thickness	Opening Angle	Max Height (MM)	Max Width (MM)	Max Sash Weight (kg)
1	IUFSH2210	10	16.5	4	2.5 mm	90° + 2°	1500	600	36
2	IUFSH2212	12	16.5	4	2.5 mm	90° + 2°	1500	650	40
3	IUFSH2214	14	16.5	4	2.5 mm	90° + 2°	1500	700	44
4	IUFSH2216	16	16.5	4	2.5 mm	90° + 2°	1500	900	50



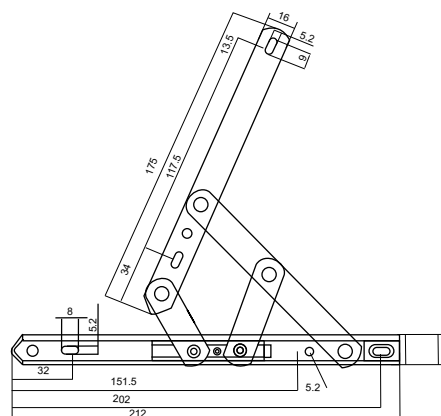
## Platinum Plus Series

Material - SS304

Base Width - 22MM Square Groove

No.	Item Code	Size (Inch)	Stack Height (MM)	Number of Arms	Bar Thickness	Opening Angle	Max. Height (MM)	Max. Width (MM)	Max. Sash Weight (kg)
1	IFHD2218	18	16.5	5	3mm	30° + 2°	1400	1500	90
2	IFHD2220	20	16.5	6	3mm	30° + 2°	1500	1500	100
3	IFHD2222	22	16.5	6	3mm	30° + 2°	1600	1500	112
4	IFHD2224	24	16.5	6	3mm	30° + 2°	1800	1800	120
5	IFHD2226	26	16.5	6	3mm	30° + 2°	1900	1900	125
6	IFHD2228	28	16.5	6	3mm	30° + 2°	2000	2000	130

# Friction Stay Series



## Standard Series

Material - SS 202

Base Width - 18MM Square Groove

No.	Item Code	Size (Inch)	Stack Height (MM)	Number of Arms	Bar Thickness	Opening Angle	Max Height (MM)	Max Width (MM)	Max Sash Weight (kg)
1	IUFSS2008	8	13	4	2mm	60° + 2°	1200	350	11
2	IUFSS2010	10	13	4	2mm	90° + 2°	1200	500	16
3	IUFSS2012	12	13	4	2mm	90° + 2°	1200	600	18
4	IUFSS2014	14	13	4	2mm	90° + 2°	1200	650	22
5	IUFSS2016	16	13	4	2mm	90° + 2°	1200	700	25
6	IUFSS2018	18	13	4	2mm	90° + 2°	1200	750	28

## Standard Plus Series

Material - SS 202

Base Width - 18MM Square Groove

No.	Item Code	Size (Inch)	Stack Height (MM)	Number of Arms	Bar Thickness	Opening Angle	Max Height (MM)	Max Width (MM)	Max Sash Weight (kg)
1	IUFSS2508	8	16.5	4	2.5 mm	60° + 2°	1400	350	13
2	IUFSS2510	10	16.5	4	2.5 mm	90° + 2°	1400	500	16
3	IUFSS2512	12	16.5	4	2.5 mm	90° + 2°	1400	600	19
4	IUFSS2514	14	16.5	4	2.5 mm	90° + 2°	1400	650	21
5	IUFSS2516	16	16.5	4	2.5 mm	90° + 2°	1400	700	25
6	IUFSS2518	18	16.5	4	2.5 mm	90° + 2°	1400	750	28

## Wind Break Arm



**IUWBA1810S**  
**IUWBA1812S**  
**IUWBA1810P**  
**IUWBA1812P**

Material - SS 202, SS 304 Base Width - 18MM Square Groove

## Stainless Steel Concealed Stay





**Drainage Cap**



**Sash Stopper**



**Anti Lift**



**Glass Packers**



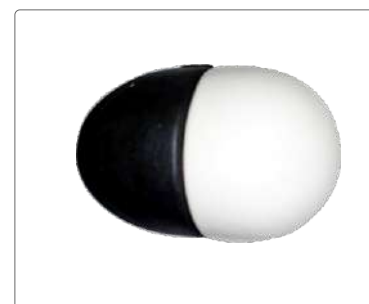
**U Packers**



**Sliding Stopper**



**Screw Cap**



**Bum Stopper**



**Mechanical Joint  
Anti lift L Type**



**Fastener & Screw**



**Anti lift L Type**



**Inward Striker**



**insta**<sup>®</sup>  
for a smoother life



D-Mall, 910, 9th Floor,  
Netaji Subhash Place, Delhi-110034



[www.instahardware.com](http://www.instahardware.com)



011-40743510/11, 9354601044



[info@instahardwares.com](mailto:info@instahardwares.com)

