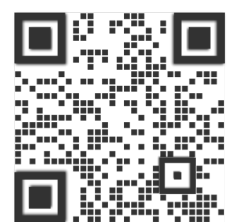




# Construction Fasteners

Fastening technology for expert applications at the construction site



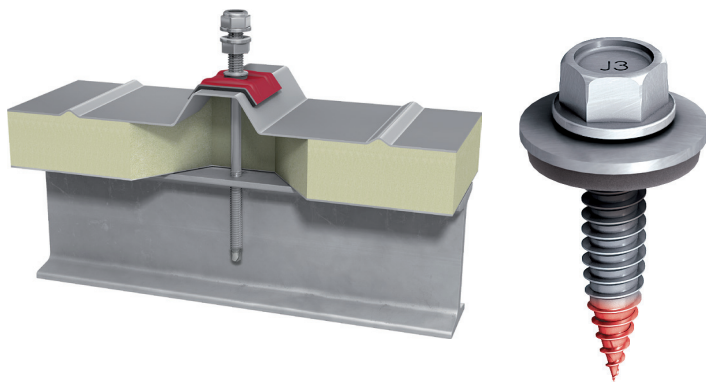
Bringing it together.



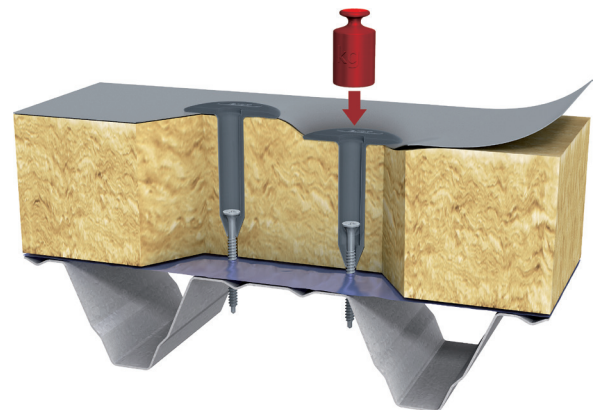
Metal Building Fasteners



Anchoring Technology



Solar Fasteners



Flat Roofing



ETICS

**EJOT-Octaçon Fastening Systems Pvt. Ltd.**

Plot Number 2, Sector 8,

IMT Manesar, Gurgaon

Haryana 122051 India

infoIN@ejot.com

www.ejotoctaçon.com

www.ejot.com/construction

