



**ASSA ABLOY**



**DORIENT**

MULTI PRODUCTS LLP

Complete range of  
Hardware for  
Aluminium Doors  
& Windows



## ABOUT US

---

Welcome to Dorient Multi Products LLP, a leading Supplier of premium hardware fittings for UPVC and aluminium doors and windows. As a proud partner of ASSA ABLOY GQ, we are dedicated to providing innovative and high-performance solutions for the architectural and construction industries. With a focus on quality, reliability, and customer satisfaction, we offer an extensive range of products that meet the diverse needs of our clients.

Our product catalogue showcases a carefully curated selection of hardware fittings designed specifically for aluminium doors and windows. From locks, handles, and hinges to multi-point locking systems and sliding door mechanisms, our offerings are engineered to deliver seamless performance and enhance the security, aesthetics, and functionality of any door or window system.

At Dorient Multi Products LLP, we understand the importance of long-term reliability. That's why we stand behind every product we offer with an industry-leading 10-year operational warranty. Our commitment to quality means that you can count on our hardware fittings to perform reliably over time, even under the most demanding conditions. Whether you are working on a large-scale commercial project or a smaller residential installation, our products are designed to provide lasting value and peace of mind.

We are proud to offer products that adhere to the highest standards of security, durability, and functionality. Whether you are seeking robust locking solutions or sophisticated sliding door systems, our range has been meticulously selected to meet the evolving demands of modern construction.

At Dorient Multi Products LLP, we are not just a Supplier; we are a dedicated partner in your success. Our team is committed to providing expert advice, personalized service, and timely delivery to help you achieve the best possible results in your projects. With years of experience in the industry, we are well-equipped to assist you in selecting the right products to meet your specific requirements. Thank you for choosing Dorient Multi Products LLP – we look forward to supporting your next project with our trusted hardware solutions.

### **Key product lines:**

- Aluminium door & window hardware
- uPVC door & window hardware

### **We cater to:**

- Architects & Interior Designers
- Aluminium Fabricators
- uPVC Fabricators
- Real Estate Developers

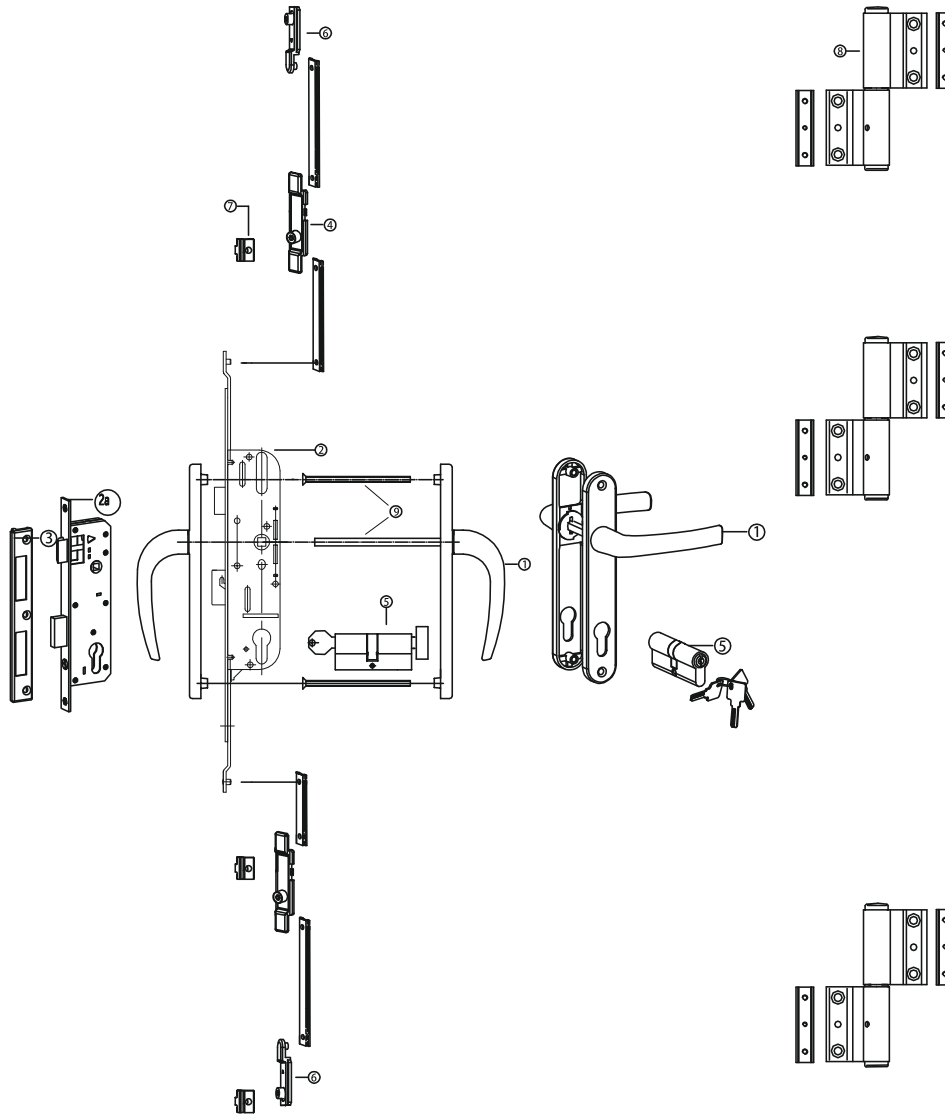
With a strong past experience, DORIENT offers customized hardware solution that fit your unique industry and application specific requirements.

# INDEX

---

Casement Door Set Euro Groove	01
Sliding Window System	02
Outward Opening Window System Euro Groove	03
Outward Opening Window System Non Euro Groove	04
Sliding Single Point Handles	05
Sliding Multi Point Handles	06-07
Sliding Spindle Handles	08
Premium Spindle Handles	09
Casement Handles	10
Door Handles	11
Cylinder & Cylinder Cover	12
Hinges	13
Lock Bodies	14
Gear Box	15
Rollers	16
Friction Hinges	17-18-19
Restrictor Arm	20
Curtain Wall System	21
Gear For Curtain Wall System	22
Espags/Driving Bar	23-24
Shoot Bolt	25
Concealed Tilt & Turn System	26
Corner Cleats	27
Accessories	28

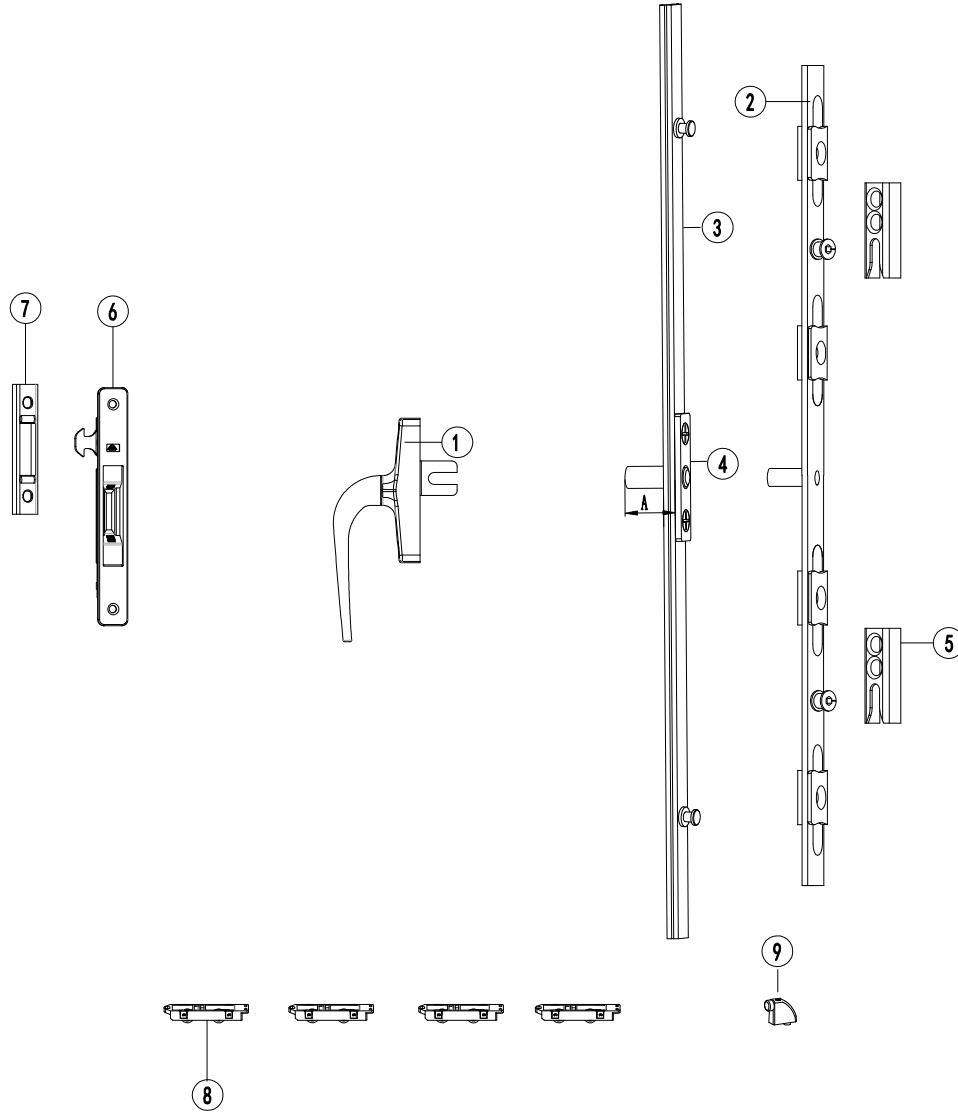
## CASEMENT DOOR SET EURO GROOVE



No.	Description	Item Code	Qty.	Notes
1	Door Handle	MSZ923133	1	Multiple Choices
2	Multipoint Door Lock	FS92220635	1	
3	Mortise Lock	DS92220930X / 35X	1	
4	Latch Plate	SHB13	1	Multiple Choices
5	Connect Locking Block	XDK2004	2	Multiple Choices
6	Cylinder	MDD 40*40	1	Multiple Choices
7	Locking Block	XDKX2003	2	Multiple Choices
8	Keeper	112-0x	2	Multiple Choices
9	Door Hinges	LCJ12021600L/R	3	Multiple Choices



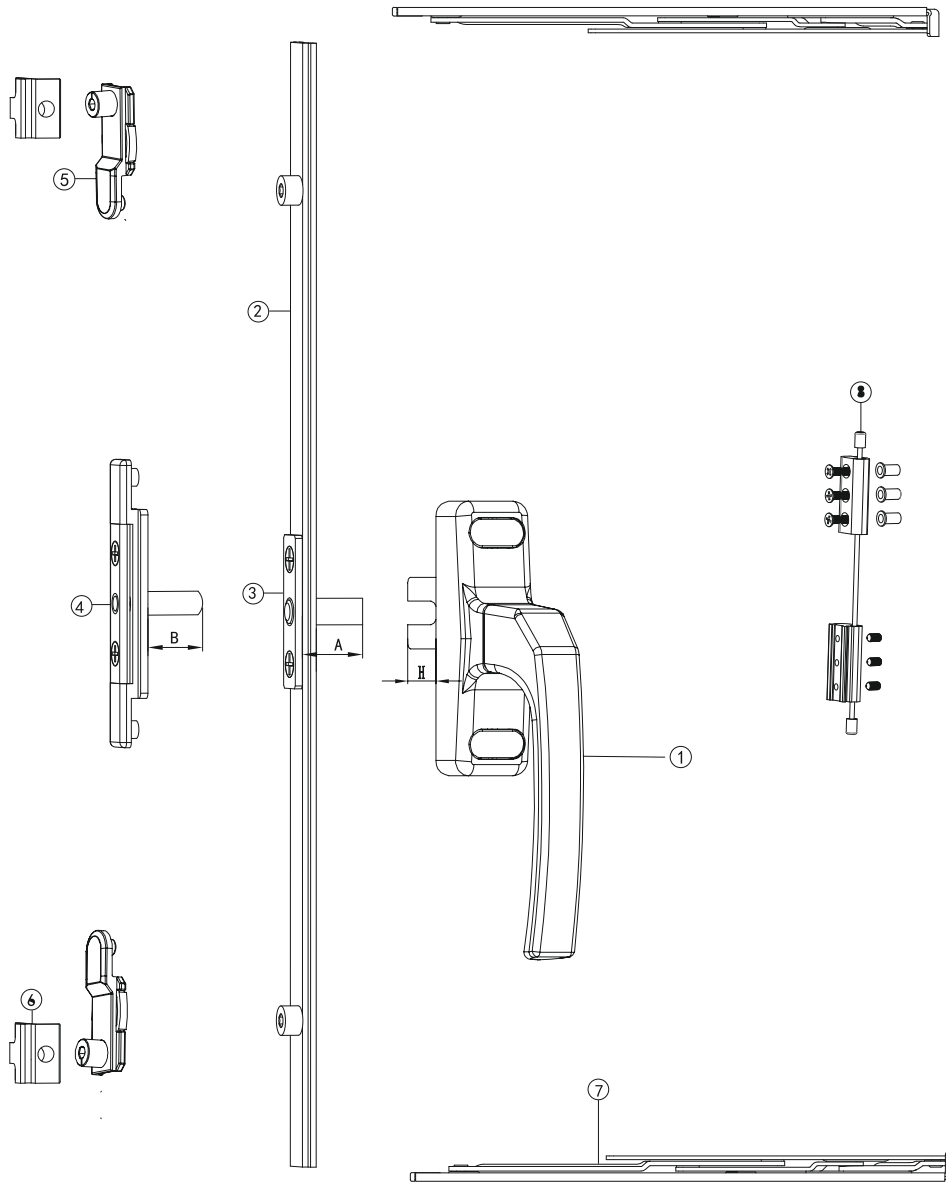
**SLIDING WINDOW SYSTEM**



No.	Description	Item Code	Qty.	Notes
1	Handle	BZ27222261XL/R	1	Multiple Choices
2	Sliding Drive Bar	LQ2Z1027 SERIES	1	For Sliding sash without Groove
3	Sliding Drive Bar	LQ2Z1025 SERIES	1	For Sliding sash with 15/20mm Euro Groove
4	Drive Block	WBZ09 SERIES	1	
5	Keeper	LXK005	2	Qty. is decided by the drive bar
6	Touch Lock	TYB222B0.1	1	Multiple Choices
7	Seat	PS-05-04	1	Multiple Choices
8	Window Roller	LL2BU23001D	4	Multiple Choices
9	Stop Block	12168+1269	1	



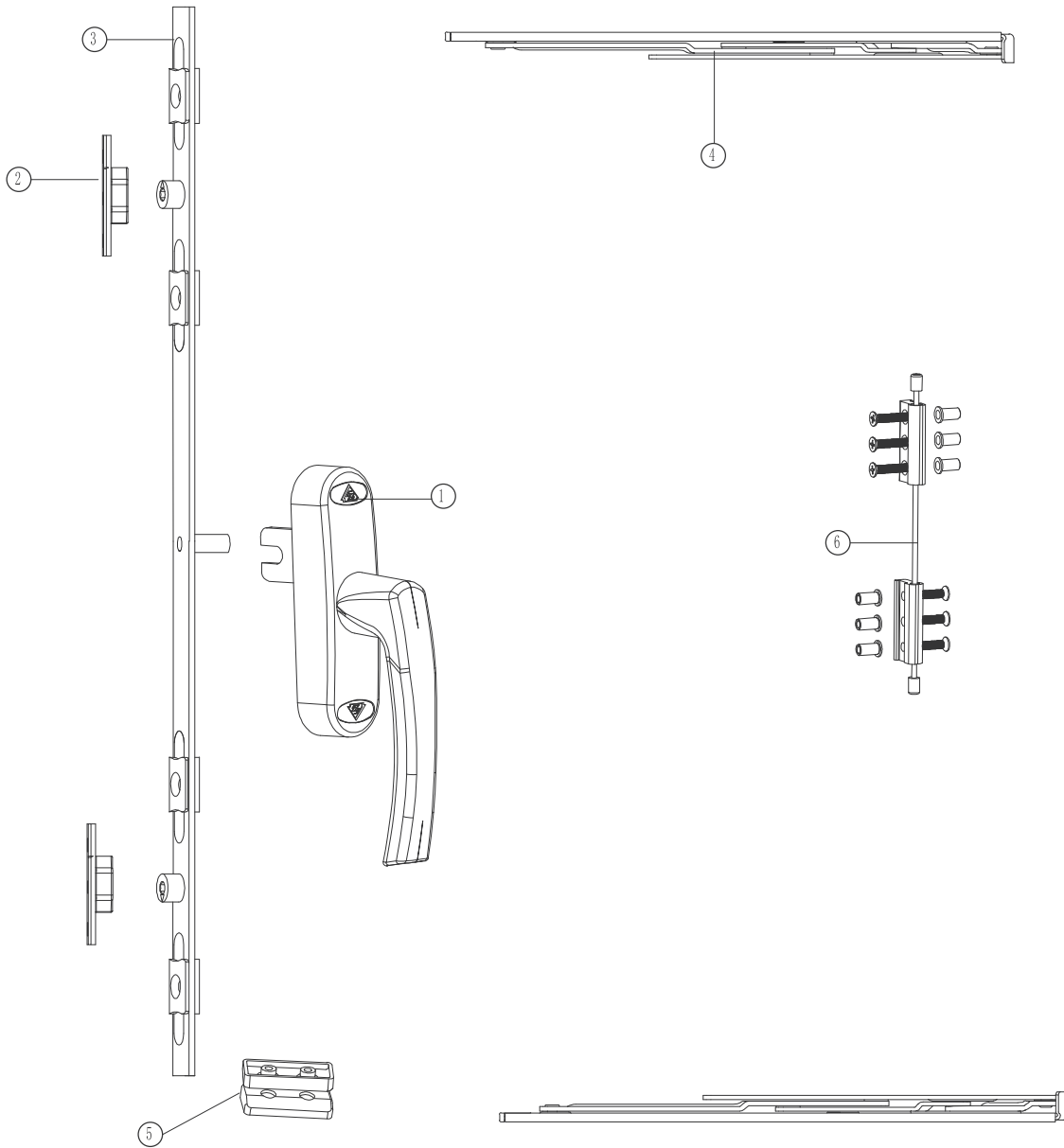
**OUTWARD OPENING WINDOW SYSTEM EURO GROOVE**



No.	Name	Item No.	Qty.	Spec.
1	Handle	BZ24422261XL/R	1	Multiple Choices
2	Drive Bar	LQ1Z07010802	1	Multiple Choices
3	Center Drive Block	WBZ09215	1	Multiple Choices
4	Center Drive Block	LG201012	1	Multiple Choices
5	Locking Block	XDK2008	1	
6	Keeper	112-0X	2	
7	Friction Hinge	J4S223016A	2	Multiple Choices
8	Safety Device	WAQ02	1	



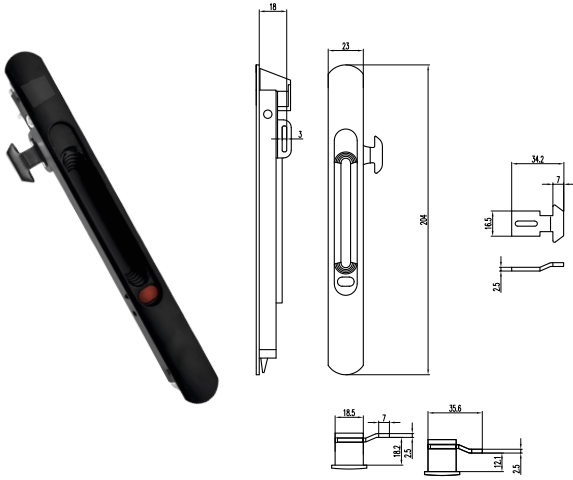
**OUTWARD OPENING WINDOW SYSTEM NON EURO GROOVE**



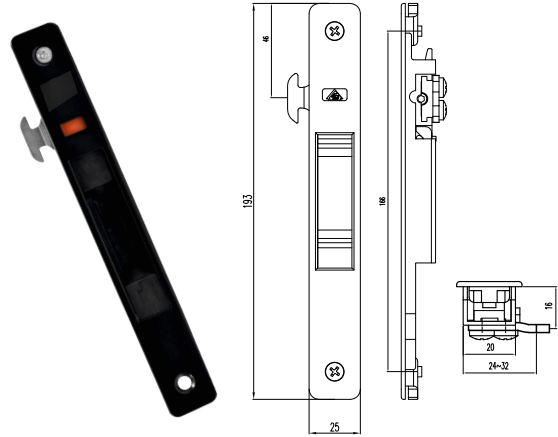
No.	Name	Item No.	Qty.	Spec.
1	Handle	BZ20622261X	1	Multiple Choices
2	Keeper	2814X	2	
3	Transmission Bar	LQ2Z04010802	1	Multiple Choices
4	Friction Hinge	J4S223016A	2	Multiple Choices
5	Window Lifter	ZSK0001	2	
6	Safety Device	WAQ03	1	



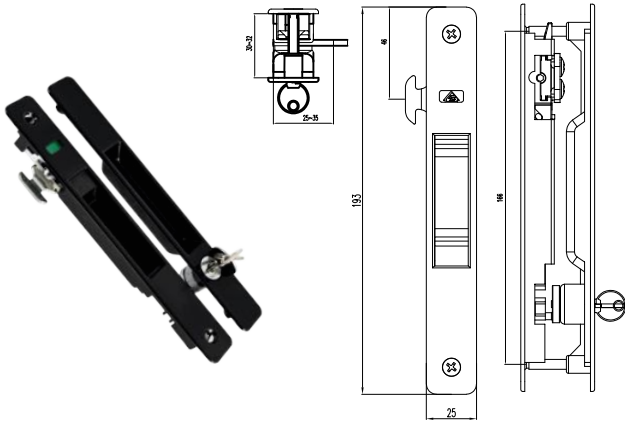
**SLIDING SINGLE POINT HANDLES**



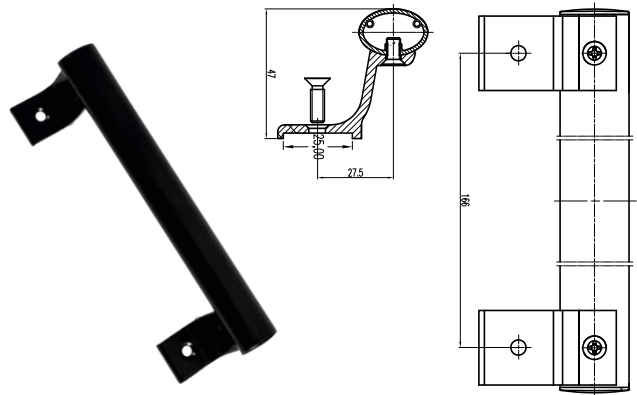
GQP035



TYB222B4.1L/R



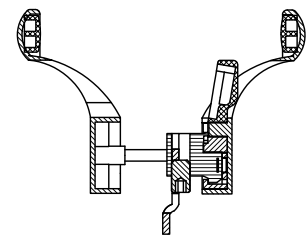
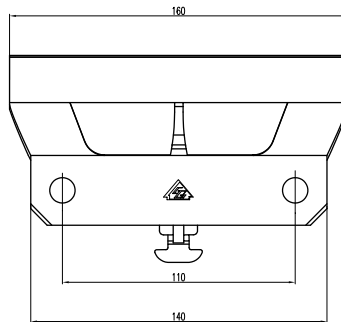
TYB215BL/R



12230X

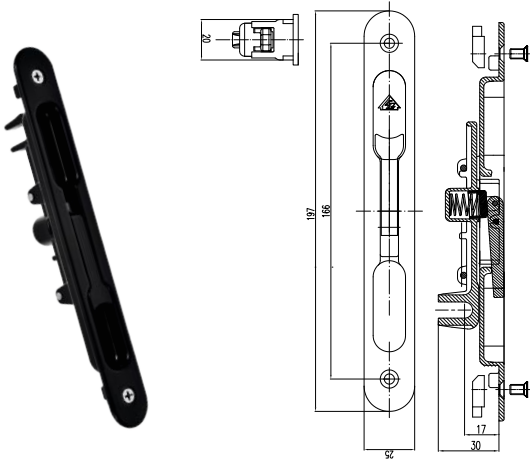


TYB210

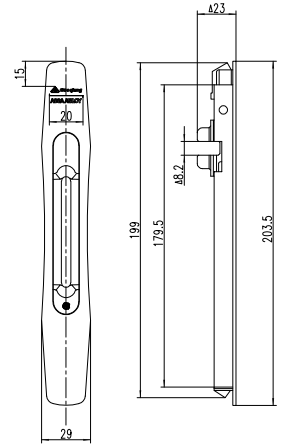




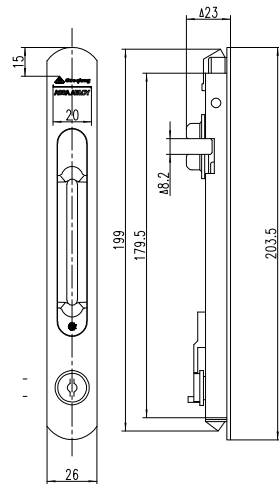
**SLIDING MULTI POINT HANDLES**



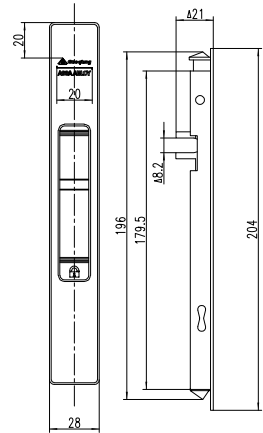
BZ30311126.1



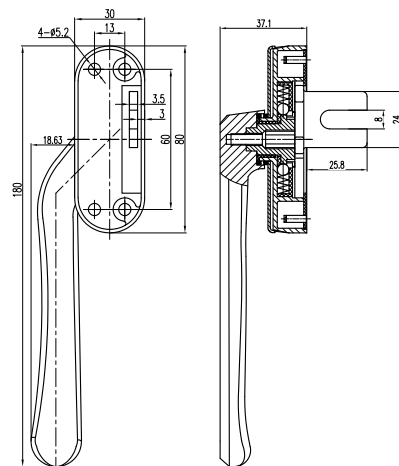
GQBTLO11-01



GQBTLO07-01

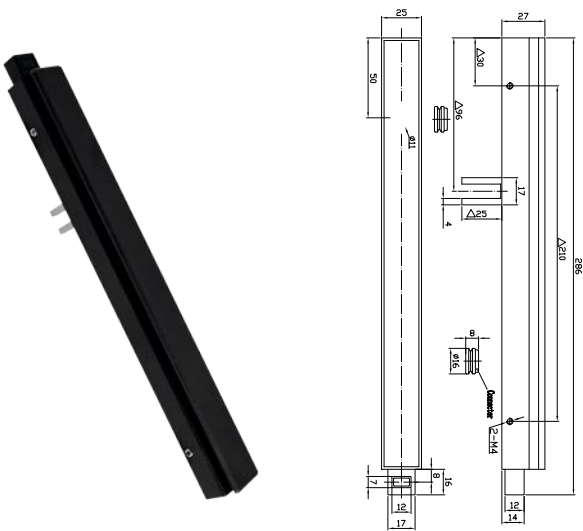


GQBTLO09-01



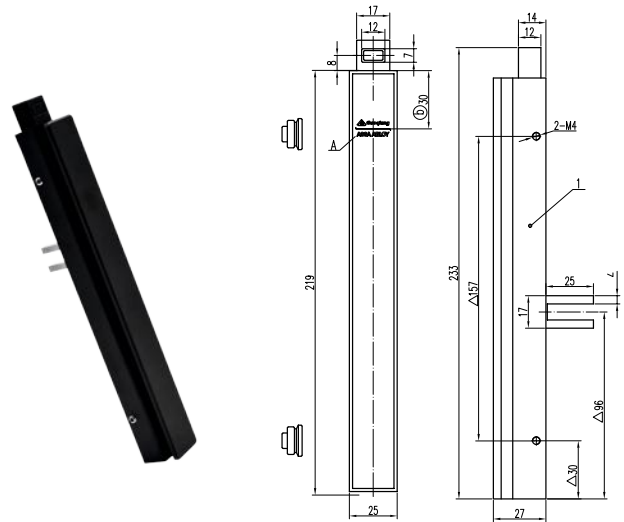
BZ28022261L/R

# SLIDING MULTI POINT HANDLES



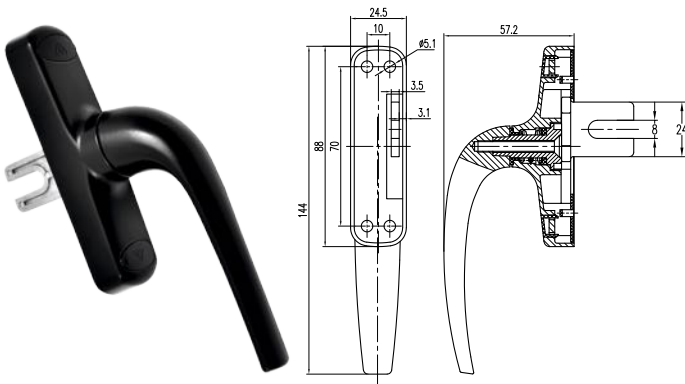
**GQ1032NK.1**

• Dummy also available

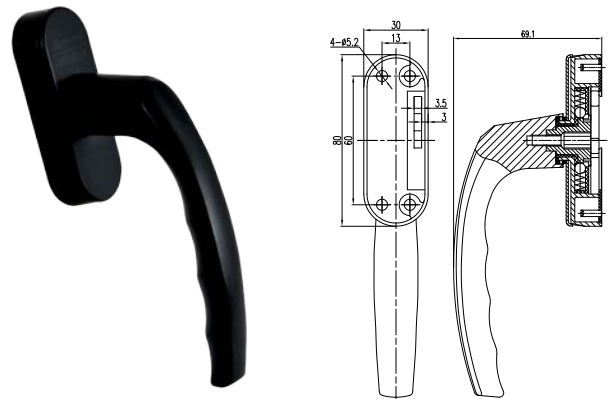


**GQ1031NK.1**

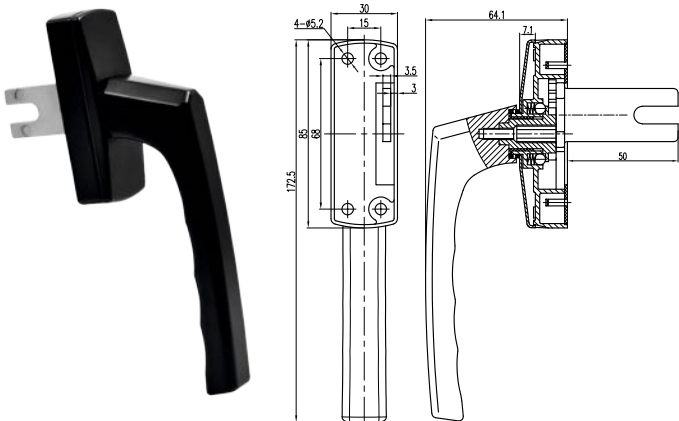
• Dummy also available



**BZ21922261L/R**

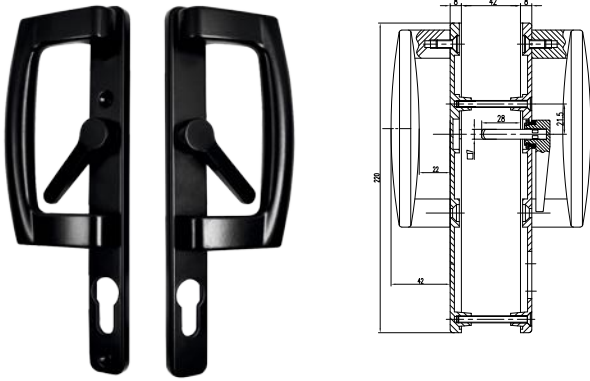


**BZ2792200X**

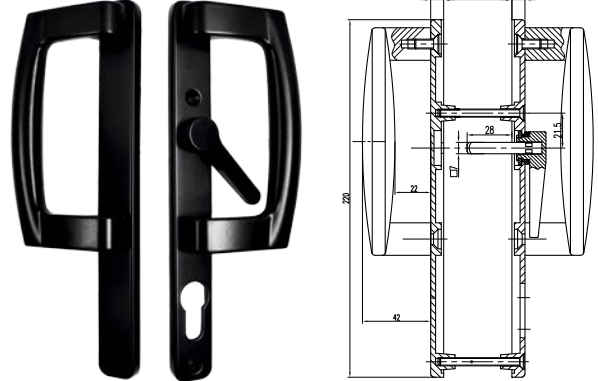


**BZ2782226L/R**

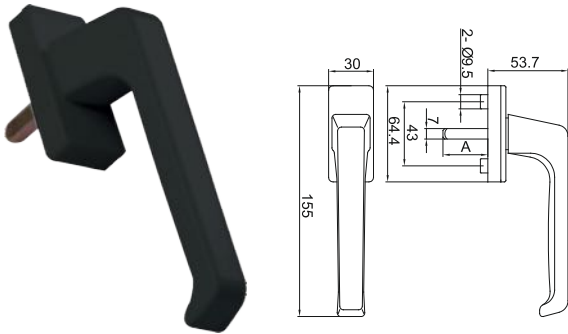
**SLIDING SPINDLE HANDLES**



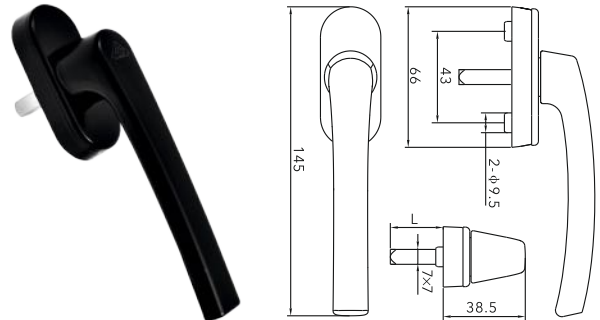
MSZ922625L/R-S



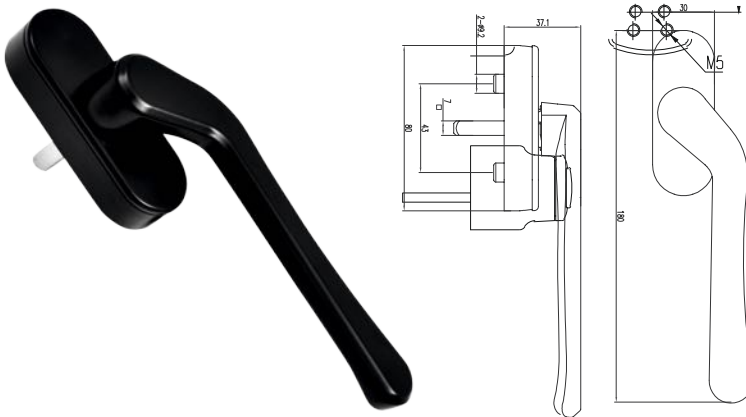
MSZ922624046.1L/R-S



FZ1042625



GQYZS-5



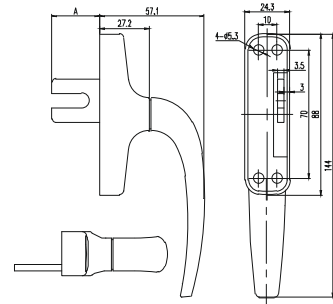
FZS2352230L/R



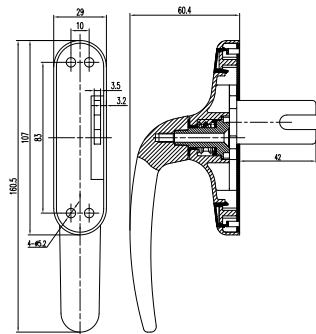
**CASEMENT HANDLES**



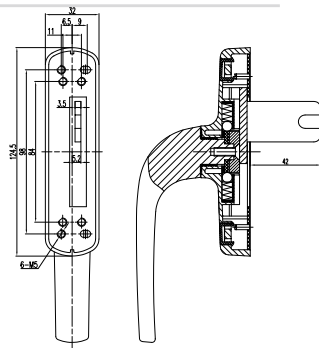
BZ2192242L/R



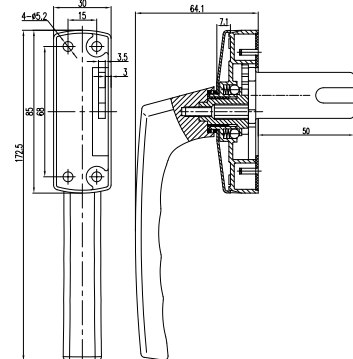
BZ2692242L/R



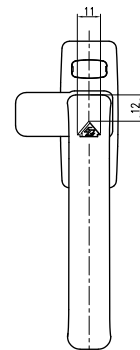
BZ25822421L/R



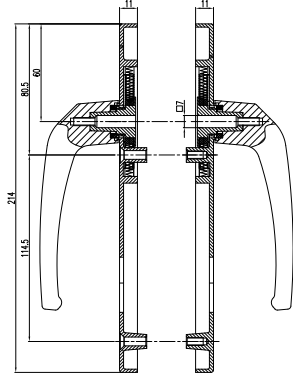
BZ27822501L/RX



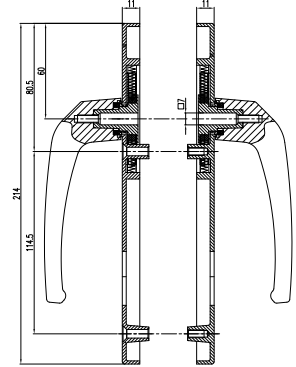
XZ10821064L/R



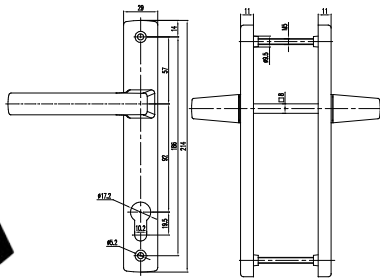
**DOOR HANDLES**



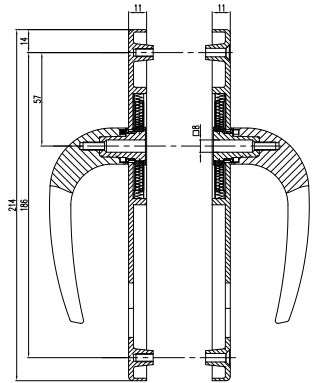
MSZ923133



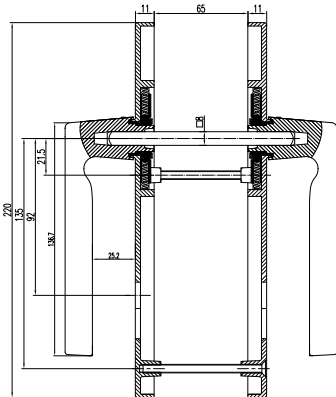
MSZ003233 (Dummy)



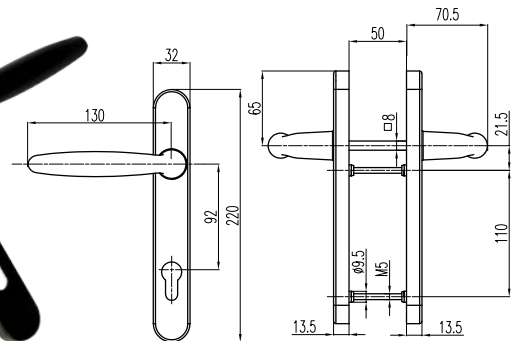
MSZ921429



MSZ920727.2



HI.05.9201.110  
Matt Black



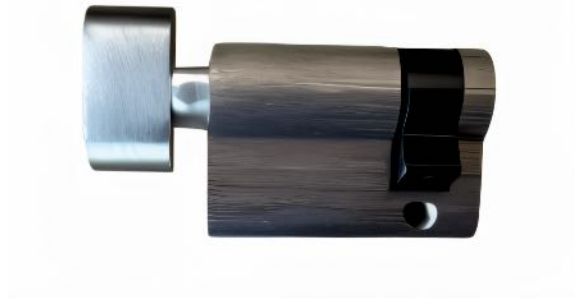
YMSZ9205100  
Anodized

**CYLINDERS & CYLINDER COVER**

Half Cylinder With Key



Half Cylinder With Knob



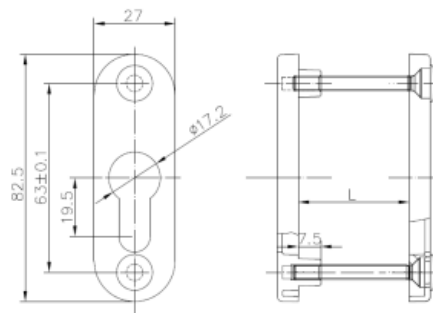
Cylinder With Both Side Key



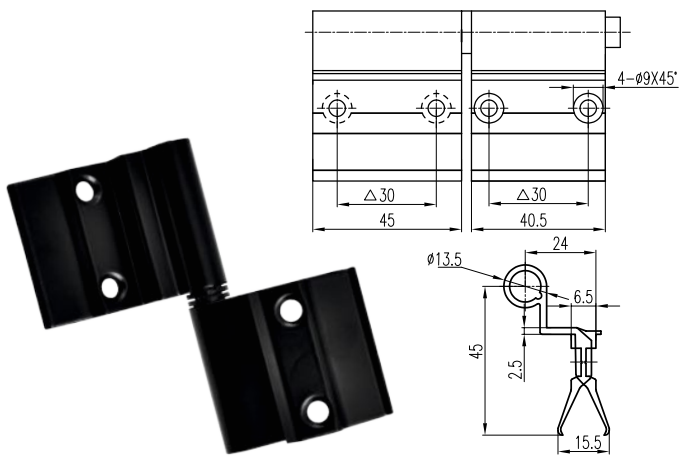
Cylinder With One Side Key, One Side Knob



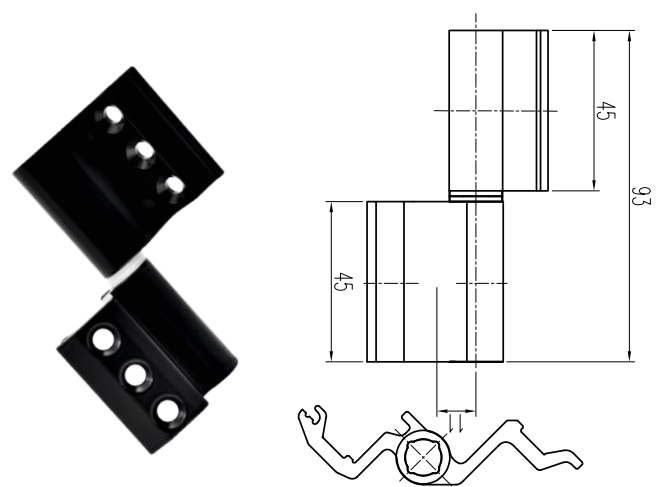
Cylinder Cover



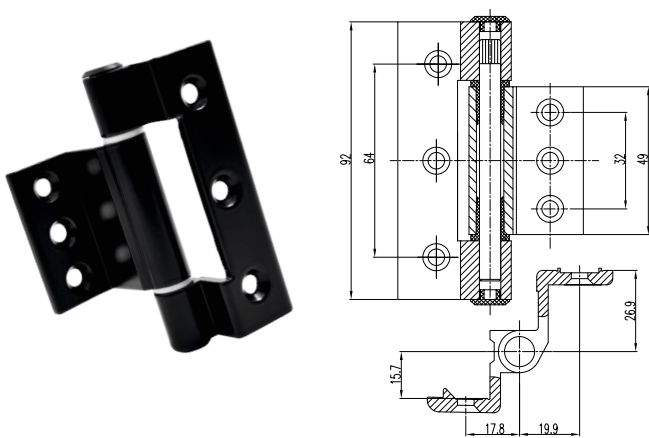
**HINGES**



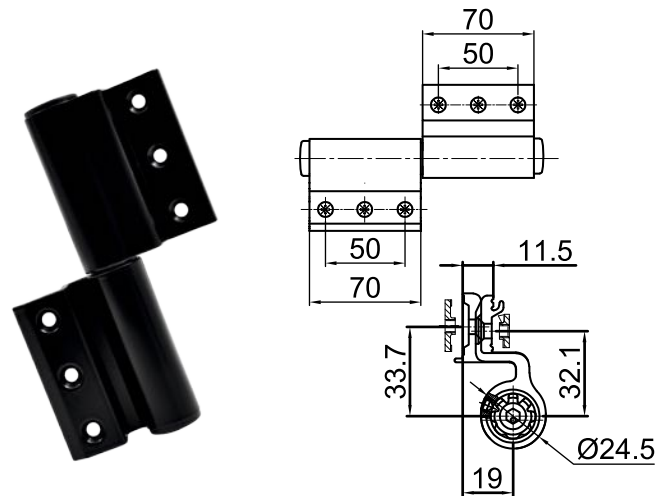
**AAGQ42000**  
Non Euro Groove



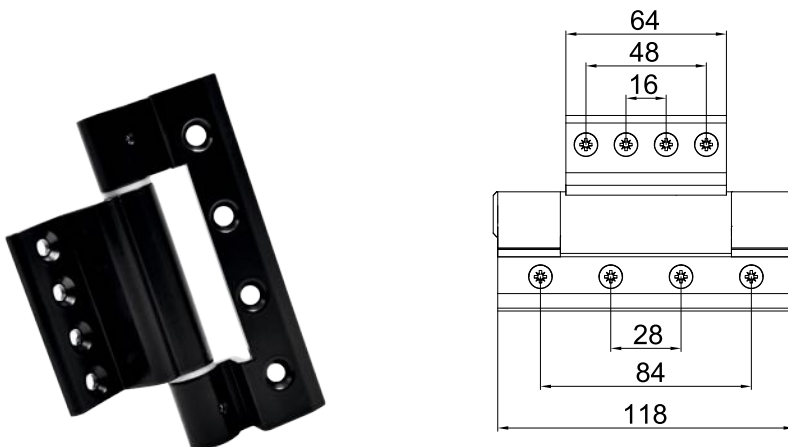
**LCJ12021200**  
Euro Groove



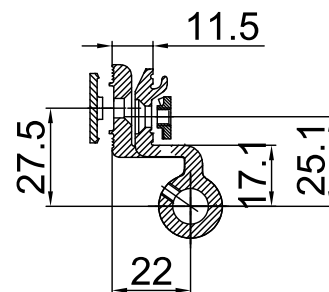
**LCJ120319**  
Euro Groove



**LCJ12021600**  
Euro Groove

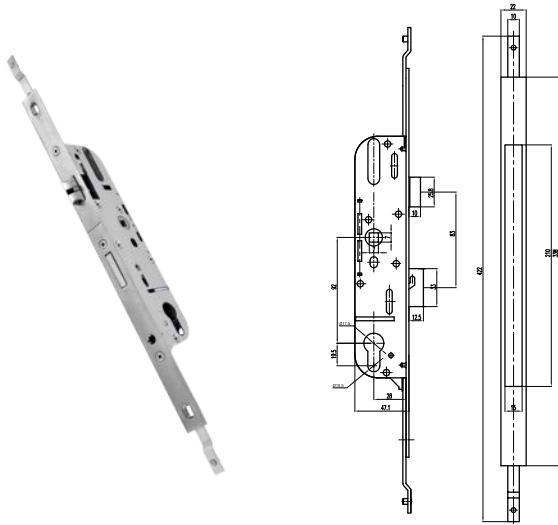


**MJ12030100**  
Euro Groove

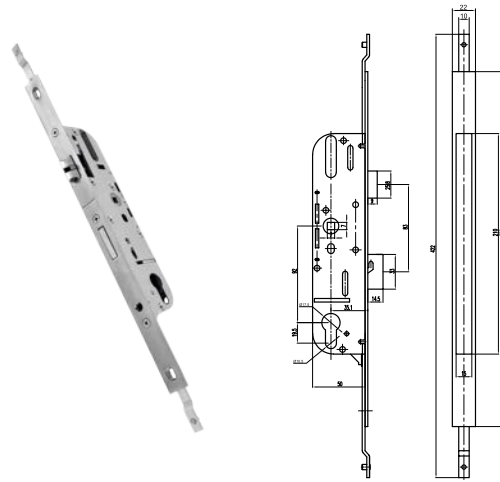




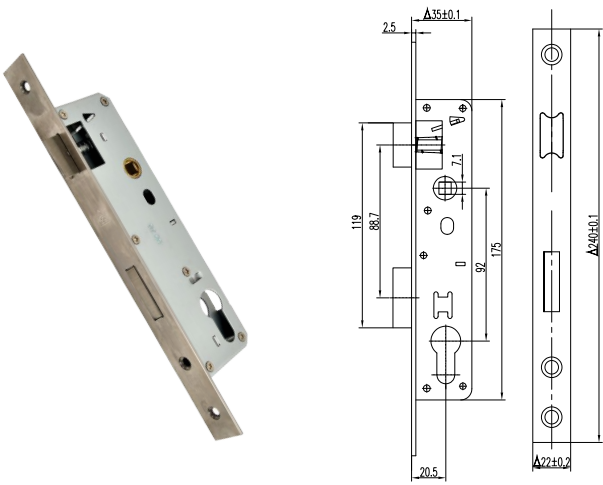
**LOCK BODIES**



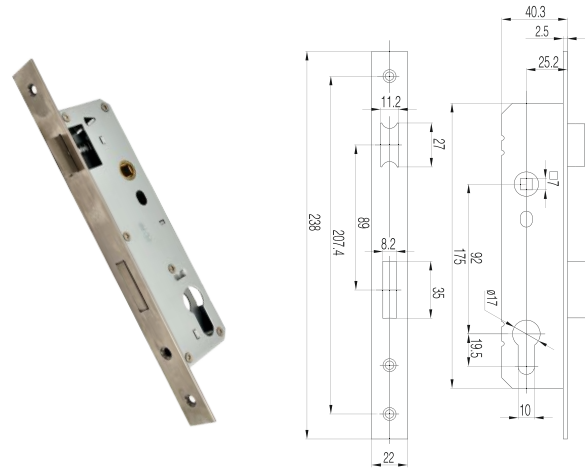
FS92220328



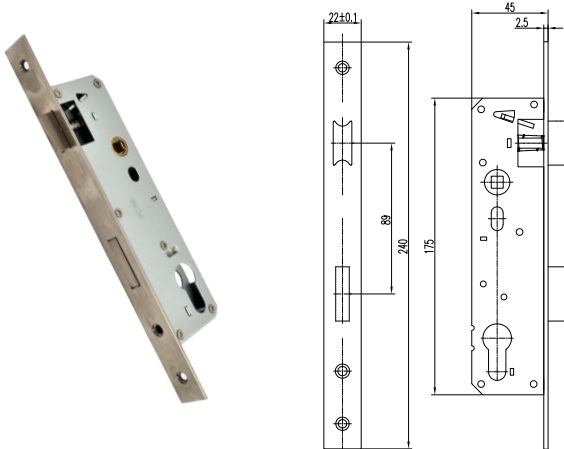
FS92220635



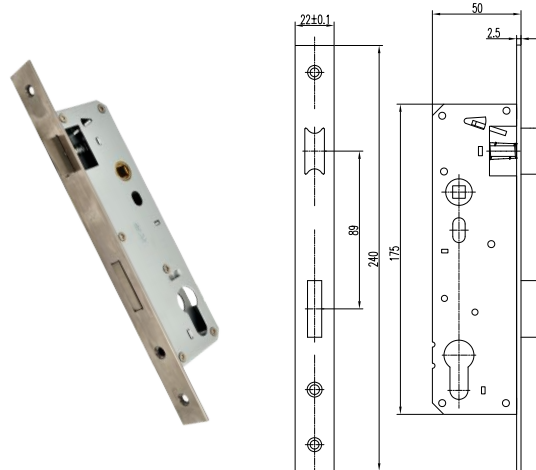
DS92220620.1



DS92220925X



DS92220930X

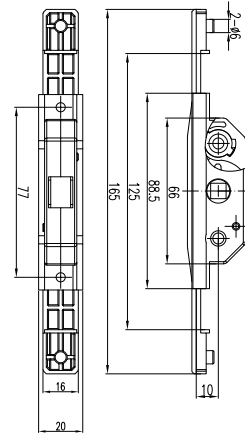


DS92220935X

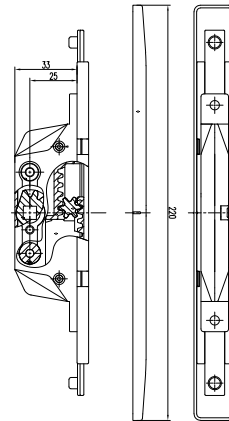
**GEAR BOX**



**LH0910**  
BS: 10mm



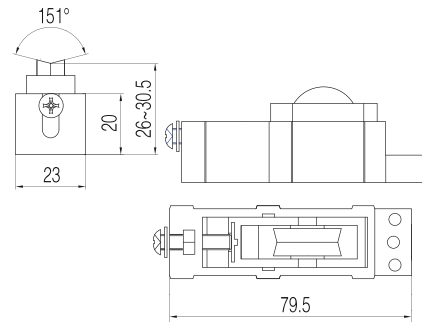
**HI.06.03.25**  
BS: 25mm



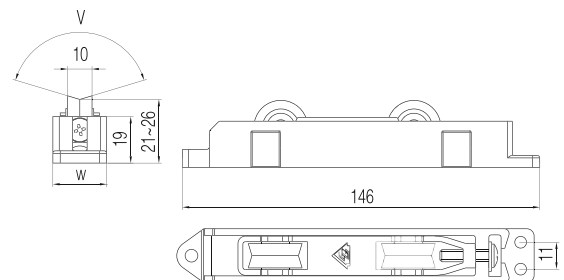
**ROLLERS**



**LL1BV0023002**



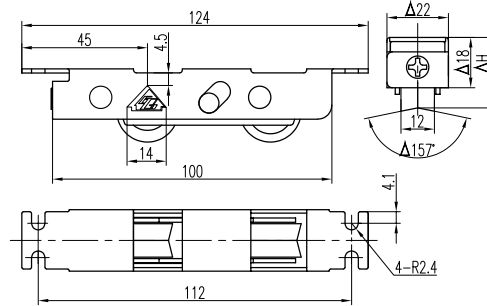
**LL2BV24001G**



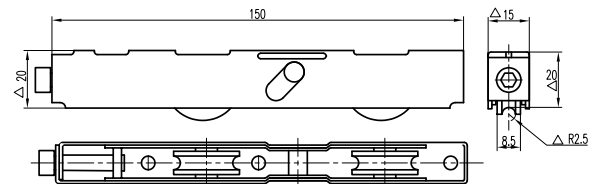
**ROLLERS**



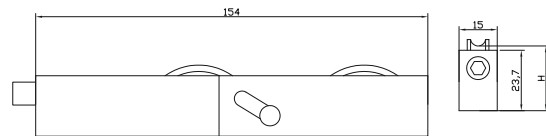
LL2B220185V157



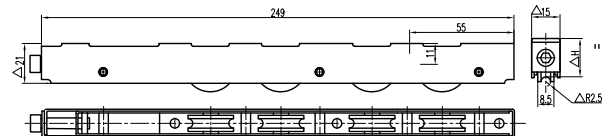
LL2B150210E



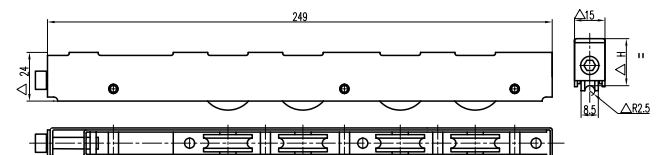
LL2B150240R3



LL4B150210E

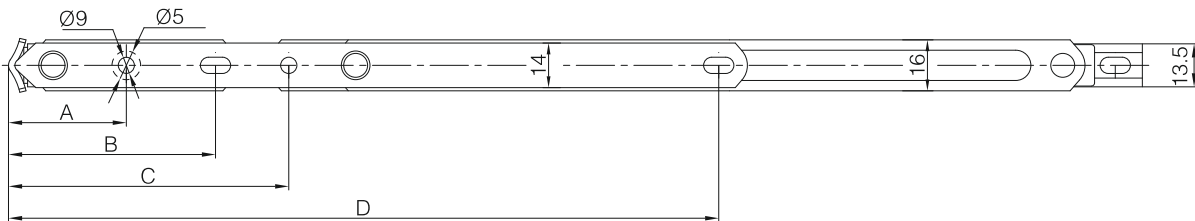
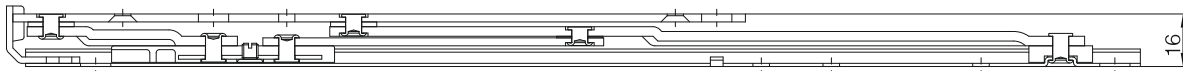
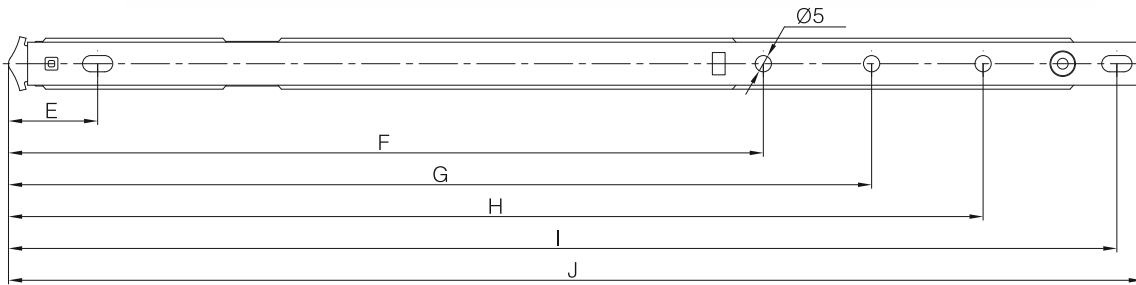


LL4B150240R3



**FRICTION HINGES**

**13.5MM DOUBLE PIVOTS FRICTION HINGE FOR SIDE-HUNG WINDOW  
(SS 304 Material)**



Item No.	Installation Size(mm)										Sash Size				
	A	B	C	D	E	F	G	H	I	J	Max Height	Max Width	Max Weight	Open Angle	Arm Qty
J4S1353010A	37	60	-	186	28	196	-	-	248	256	1200	400	14	90°	4
J4S1353012A	37	65	-	204	28	212	-	256	298	306	1200	500	17	90°	4

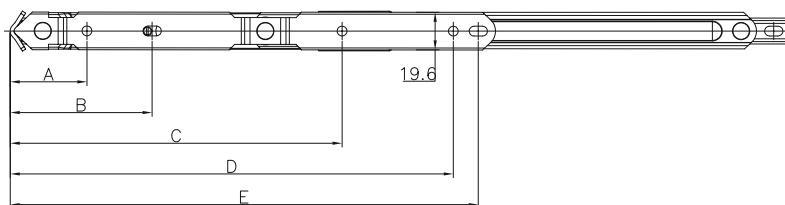
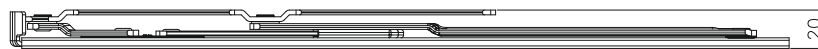
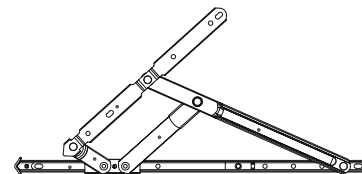
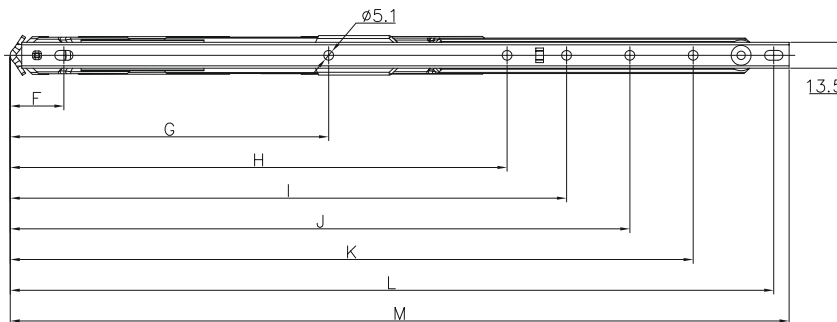
## FRICITION HINGES

### EASY FIT FRICITION HINGES

(SS 304 Material)

**NEW**

- Both sash and frame part could be inserted into the profile groove directly
- No need of cutting profiles or adding extra packers
- Good quality of Stainless Steel 304

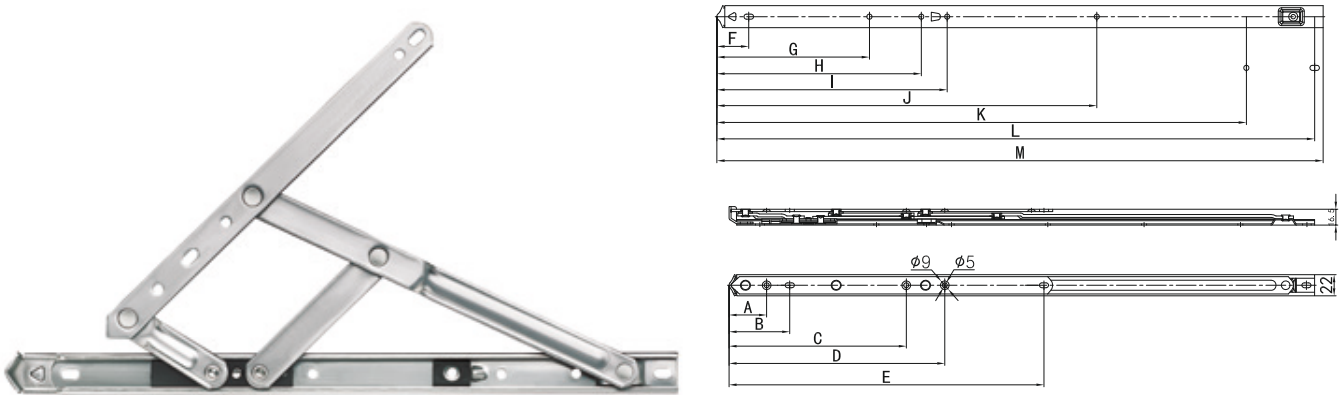


Key Dimensions (Unit:mm)													Capacity and Application					
Item No.	A	B	C	D	E	F	G	H	I	J	K	L	M	Max Height	Max Width	Max Weight	Open Angle	Arm Qty
J4S1353012M	40	74	137	195	208	28	151	214	256	-	-	298	306	1500	550	28	45/88°	4
J4S1353014M	40	74	153	211	224	28	157	233	264	306	-	348	356	1500	600	30	45/88°	4
J4S1353016M	40	74	173	231	244	28	166	259	290	323	356	398	406	1500	700	32	45/88°	4

## FRICTION HINGES

### HD FRICTION HINGES

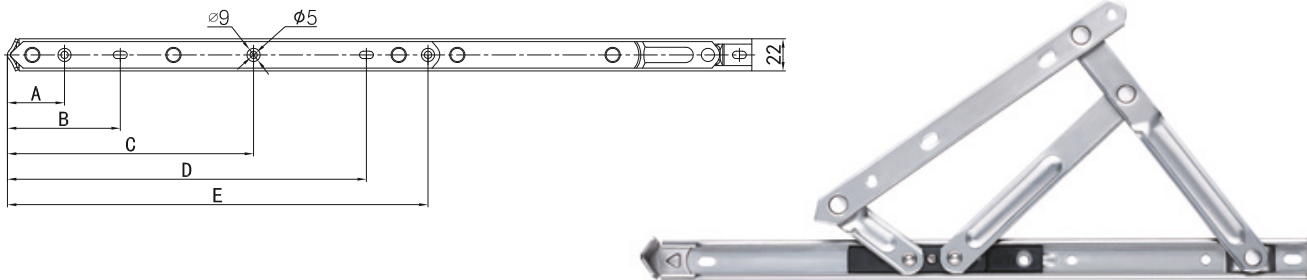
(22mm width, SS 304 Material)



Item No.	Max Height (mm)	Max Width (mm)	Max Weight (mm)	Open Angle (Degrees)	Arm Qty
J4S223012A	1500	600	28	90	4
J4S223014A	1500	700	33	90	4
J4S223016A	1800	800	38	90	4

### TOP HUNG FRICTION HINGES

(22mm width, SS 304 Material)



Item No.	Max Height (mm)	Max Width (mm)	Max Weight (mm)	Open Angle (Degrees)	Arm Qty
J4XS223016	1200	1400	85	25	4
J4XS223018	1400	1400	95	25	4
J4XL223020	1600	1500	105	20	6
J4XL223022	1700	1500	110	20	6
J4XL223024	1800	1500	120	20	6
J4XL223026	1500	600	135	20	7
J4XL223028	1500	650	145	20	7

## RESTRICTOR ARM

### 13.5mm Wind Stay (Light Duty)

-Suitable for C-slot profile.

-Limited the open angle, intention to:

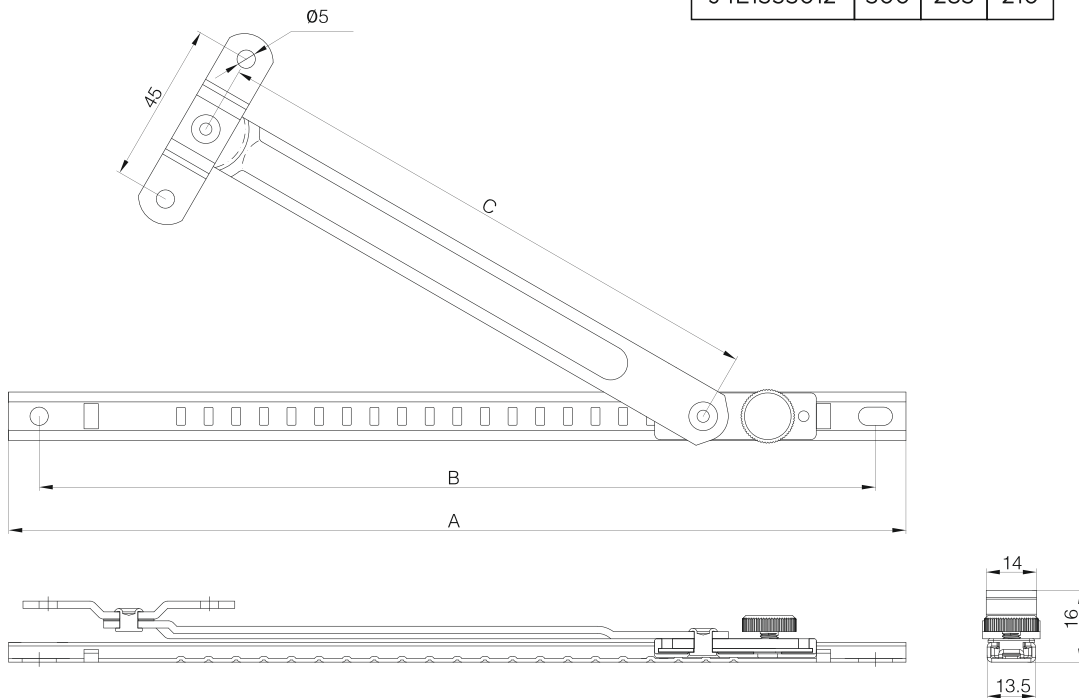
1)To prevent heavy wind to blow the window closing suddenly  
cause any damage to the window.

2)To prevent children fallen from the window gap.

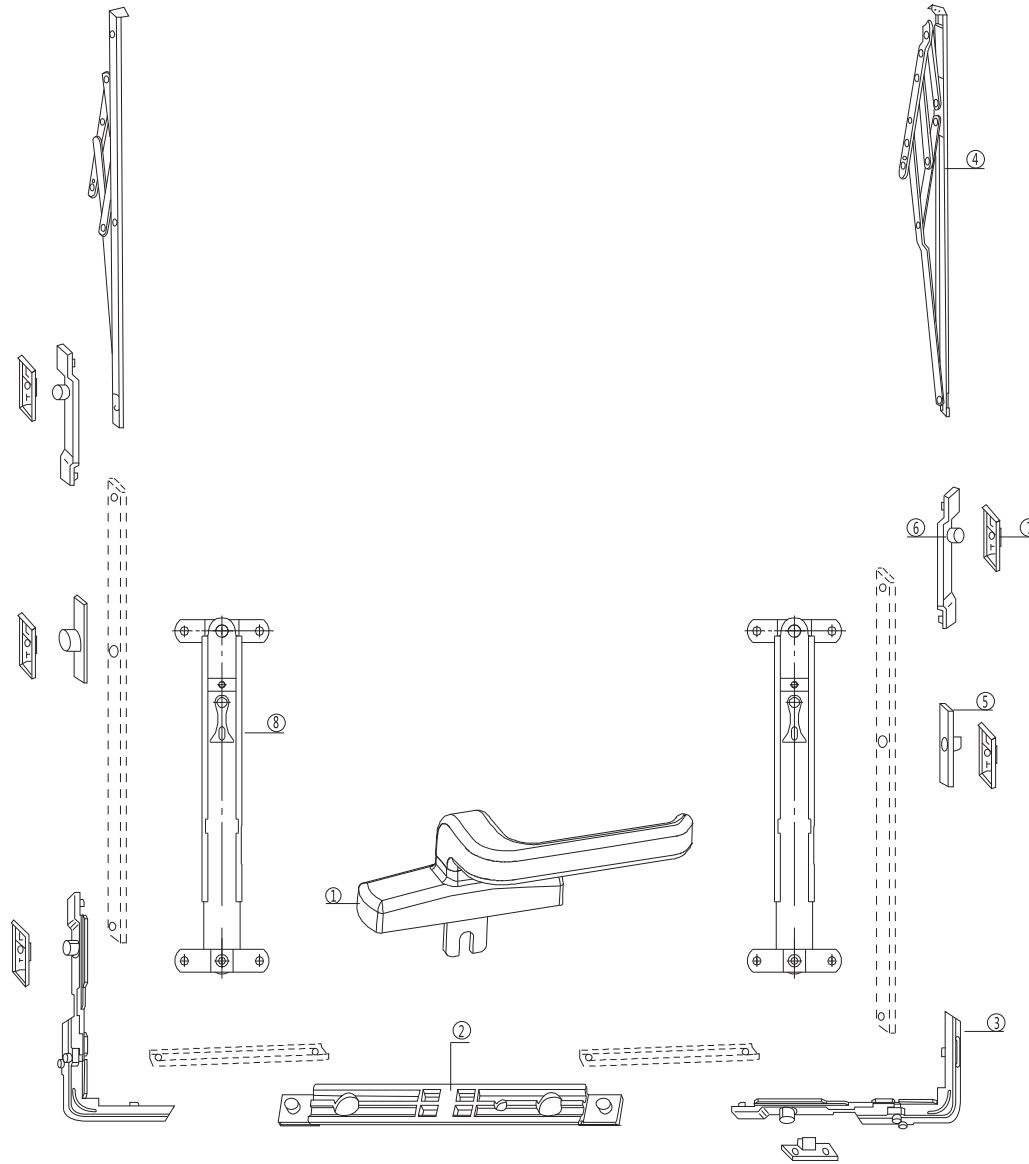
-Picked stainless steel 304 material.



Item No./in	A	B	D
J4E1353010	250	233	160
J4E1353012	300	283	210



**CURTAIN WALL SYSTEM**



No.	Name	Item No.	Qty.	Spec.
1	Handle	BZ24622261	1	Multiple Choices
2	Drive Bar	LG2003	1	
3	Corner	LZJ2004.1	2	
4	Friction Hinge	J4XS223016	2	Multiple Choices
5	Roller Block	DSD01082	2	
6	Joint Locking Block	XDK2004	2	Multiple Choices
7	Keeper	16660	6	
8	Support Arm	8"-12"	2	Multiple Choices



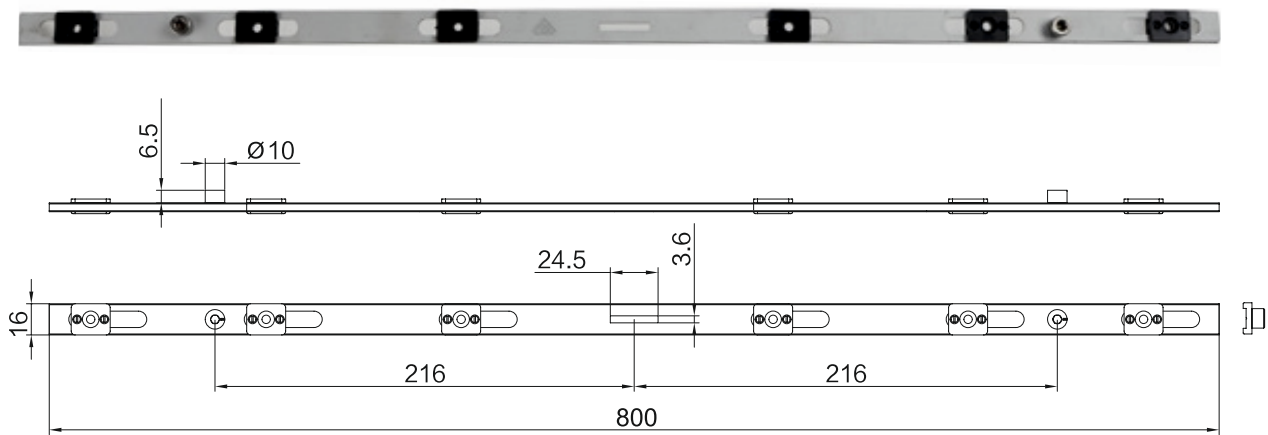
Notes:

- 1, This system is applicable for window frame without groove, and window sash with euro-groove;
- 2, Various options for handle style and fork length;
- 3, The choose of friction hinges and support arms should be considering the window weight and request for opening angle.

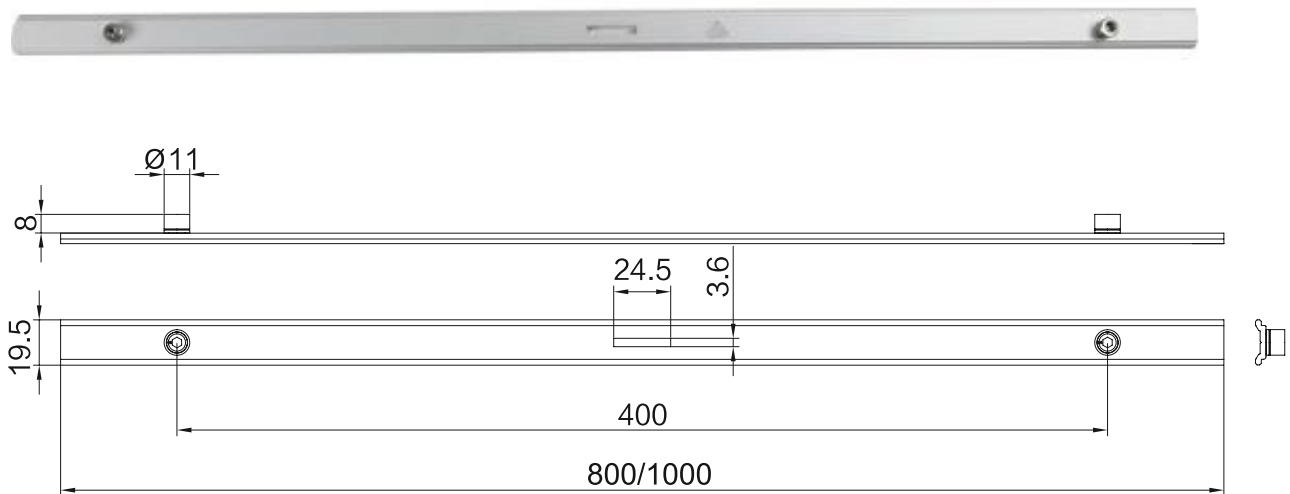


**GEAR FOR CURTAIN WALL SYSTEM**

LQ2C0201802  
(Non Euro Groove)

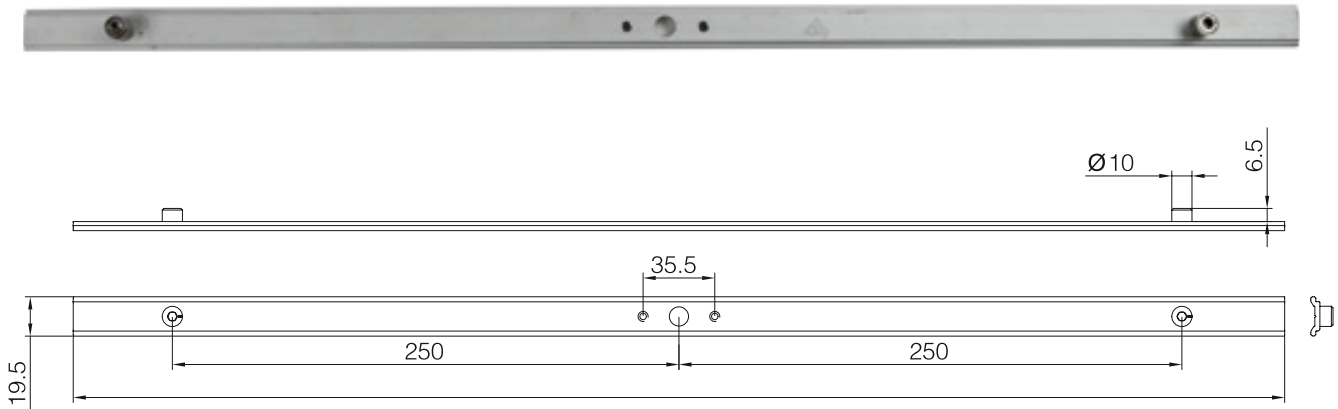


LQ1C02100802/LQ1C02101002  
(Euro Groove)



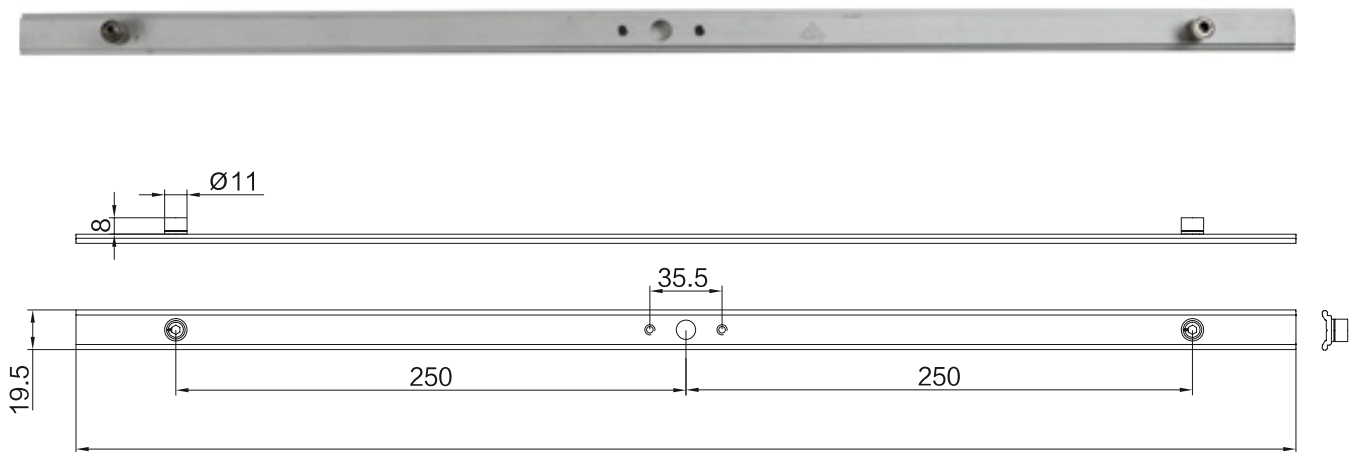
**ESPAGS/DRIVING BAR**

**EURO SLIDING**



Item No.	Size (mm)
LQ1Z07410602	600
LQ1Z07411202	1200
LQ1Z07410603	1600

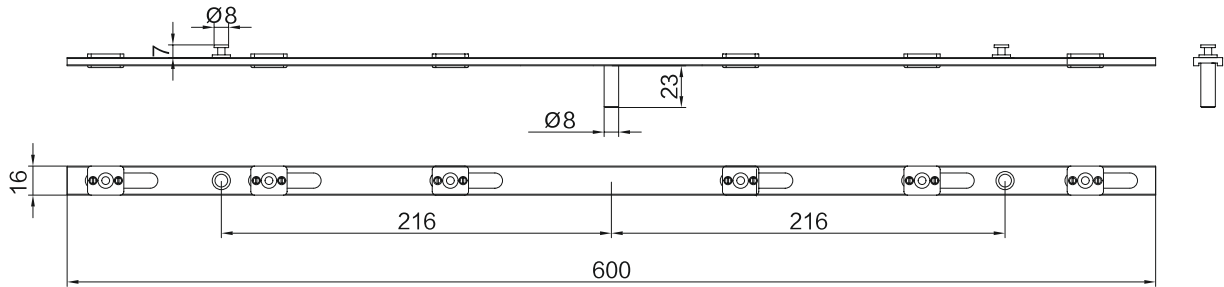
**EURO CASEMENT**



Item No.	Size (mm)
LQ1Z07100802	800
LQ1Z07101002	1000
LQ1Z07101202	1200

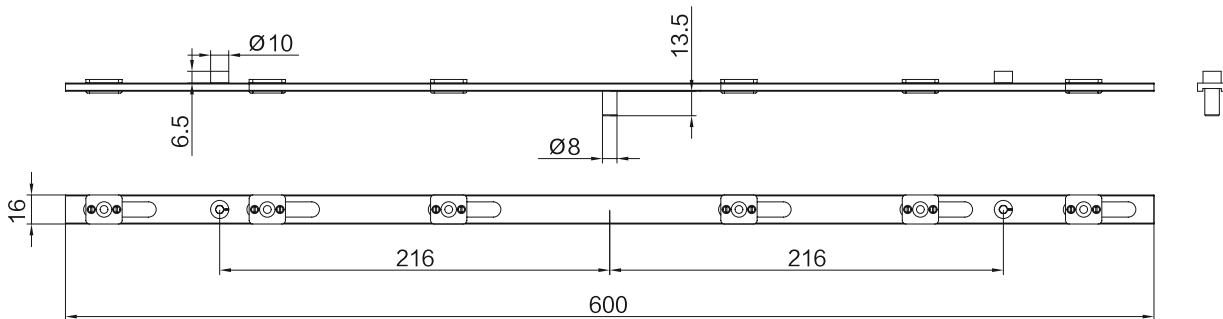
**ESPAGS/DRIVING BAR**

NON-EURO SLIDING



Item No.	Size (mm)
LQ2Z09430802	800

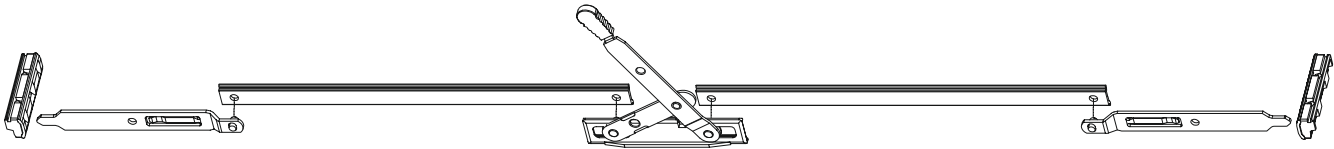
NON-EURO CASEMENT



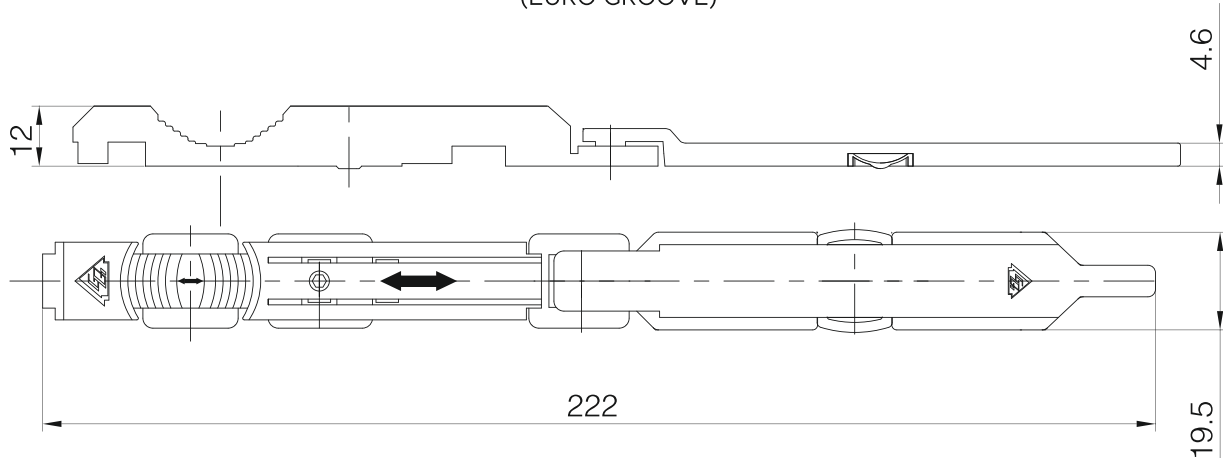
Item No.	Size (mm)
LQ2Z10010802	800
LQ2Z10011002	1000
LQ2Z10011202	1200

**SHOOT BOLT**

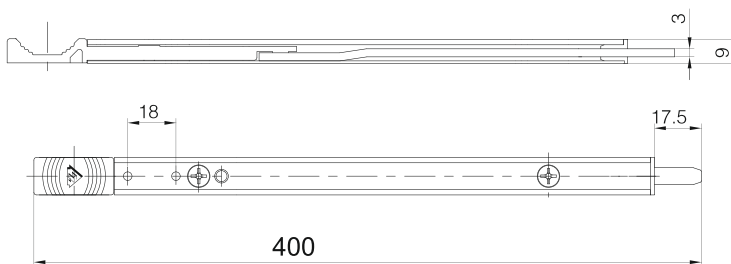
**LCX0117.1**  
(EURO GROOVE)



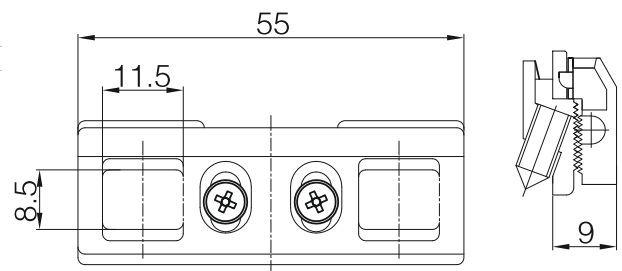
**LDCX0320+LDCXZ0502**  
(EURO GROOVE)



**LDCX0518**  
(NON-EURO GROOVE)

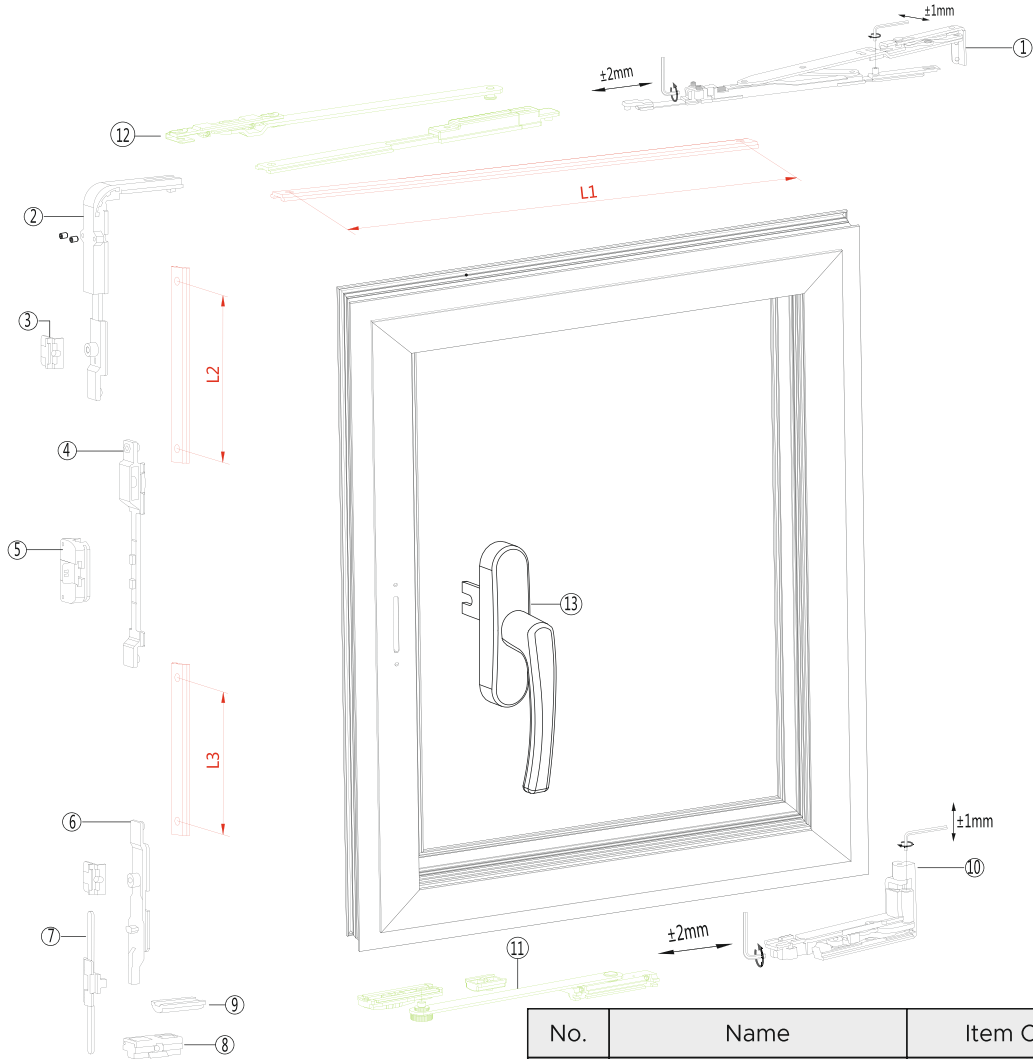


**CXZ14**  
(SEAT)



## CONCEALED TILT & TURN WINDOW SYSTEM

- For sash width 360-520mm, sash height 530-1400mm, and sash weight no more than 50KGS, please use 370mm scissor. For sash width 520-1200mm, sash height 530-1500mm, please use 600mm.



No.	Name	Item Code
1	370 Scissor	LS2008370L/R
	600 Scissor	LS2008600L/R
2	Corner	LZJ2011
3	Keeper	20508
4	Drive Bar	LLG008
5	Anti Change Unit	LWC004
6	Tilt Support	LZC011
7	Disengagement Preventer	LFT011
8	Tilt Support	LCZ010
9	Support Cushion	ZSD010
10	Bottom Hinge	LXJ2008L/R
11	Wind Stay	FC100
12	Extended Corner	LXG001
13	Handle	BZ15822261

## CORNER CLEATS



CCI50WFN



CCI27N



CCI29N



CCI40N



CCI292TN



CCI37N



CCI50WSN



CCI50DS



CCI50DF

**ACCESSORIES**



NIB HOLDER  
WITH NIB



INSERT  
STRIKER



14506  
STRIKER



SCREW WITH  
HOLDER



112-0X



LXK002  
ADJUSTABLE STRIKER



SHB13  
LATCH PLATE



XDKX2003  
LOCKING POINT



EXTENSION BARS  
600MM/800MM



FORK ONLY



LG201014/26/40



POLYAMIDE STRIP



2814X



PS-05-01



HEAVY RECIEVER  
TOUCHLOCK



GEARBOX



**ASSA ABLOY**

Stocks available with:

**DORIENT MULTI PRODUCTS LLP**

707, NDM-2, Netaji Subhash Place, Pitampura, Delhi-110034

E: [dorientmultiproducts@hotmail.com](mailto:dorientmultiproducts@hotmail.com) | M: +91 9999 401 747, +91 9910 998 517