

ÉZIO



Complete Range of Hardware Fittings for
UPVC Doors & Windows.

www.eziohardware.in

ABOUT US

Dorient Multi Products LLP is a premier supplier of high-quality hardware fittings for UPVC & Aluminium doors and windows. Under our brand ÉZIO, We offer a complete range of hardware solutions for both sliding and casement systems, ensuring that every product we deliver meets the highest standards of quality and reliability. Our extensive product portfolio includes essential components such as hinges, rollers, transmission gears, and handles, all designed to ensure smooth operation, durability, and aesthetic appeal.

Our mission is to provide fabricators, builders, and architects with top-tier hardware that enhances the functionality and performance of UPVC & Aluminium doors and windows. Whether for residential, commercial, or industrial applications, ÉZIO products are trusted by professionals across India for their quality, ease of use, and longevity. As a brand of Dorient Multi Products LLP, we are proud to be recognized for our commitment to delivering the best solutions for the UPVC market.

At ÉZIO, quality is at the heart of everything we do. Every product that bears the ÉZIO name is manufactured using premium materials and undergoes stringent quality checks to ensure it meets international standards. From our precision-engineered hinges that ensure smooth and stable door movement to our robust rollers and transmission gears that guarantee effortless operation, each product is crafted with attention to detail.

Understanding the critical role hardware plays in the overall performance and safety of doors and windows, all our products come with a 10-year operational warranty. This commitment to durability not only reflects the confidence we have in our products but also provides peace of mind to our customers. By choosing ÉZIO, customers are investing in hardware that is built to last.

ÉZIO, the trusted brand by Dorient Multi Products LLP, is proud to serve customers throughout India. Our extensive distribution effort allows us to meet the needs of UPVC & Aluminium door and window hardware across the country, ensuring access to the finest hardware fittings, no matter their location.

Whether it's a large-scale commercial project or a smaller residential development, ÉZIO products are designed to add value and enhance the overall integrity of the installation.

With years of experience in the hardware industry, Dorient Multi Products LLP has developed a deep understanding of the requirements and challenges faced by fabricators and builders. We leverage this expertise to continuously innovate and improve our product offerings. By staying attuned to market trends and working closely with our clients, we ensure that our hardware solutions are always aligned with industry demands and advancements.

At ÉZIO, we are passionate about delivering excellence. Our goal is to provide customers with hardware fittings that not only meet their expectations but exceed them. As we look to the future, we remain committed to setting new standards in quality, innovation, and customer service in the UPVC & Aluminium door and window hardware industry.

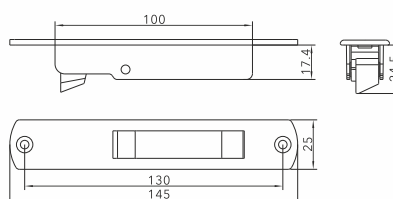
RANGE OF PRODUCTS

| | |
|------------------------|-------|
| Sliding Handles | 1-3 |
| Casement Handles | 4-5 |
| Mortise Handles | 6 |
| Both Side Handles | 7 |
| Cylinders | 8 |
| Door & Window Hinges | 9-10 |
| Rollers | 11-12 |
| Sliding Window Espags | 13 |
| Casement Window Espags | 14 |
| Lockable Door Espags | 15 |
| Strikers & Shootbolt | 16 |
| Sliding Door Lock Set | 17 |
| Casement Door Lock Set | 18 |
| Friction Hinges 2mm | 19 |
| Friction Hinges 2.5mm | 20 |
| Restrictor Arm | 20 |
| Rollers For Aluminium | 21 |
| Accessories | 22-23 |
| Notes | 24 |



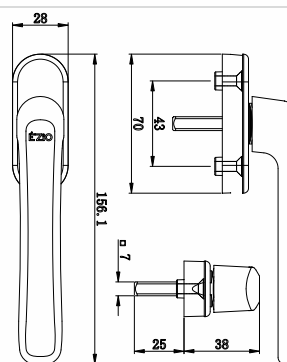
Touchlock

TL01L/R



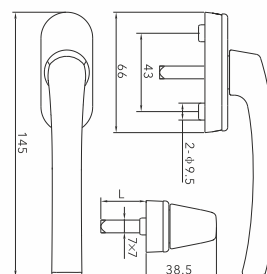
Short Neck Handle (P)

SNH01P



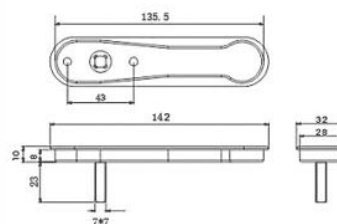
Short Neck Handle

SNH02



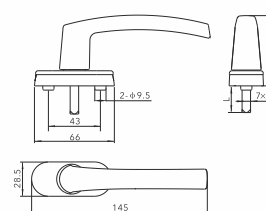
Popup Handle

POPUP01



Sliding L Handle

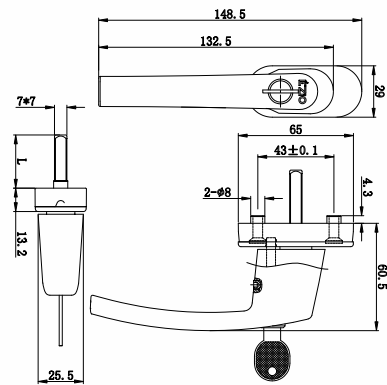
SLEH01



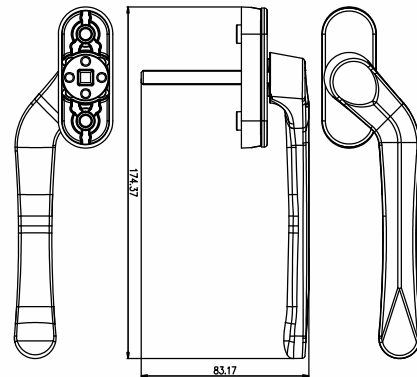
SLIDING HANDLES



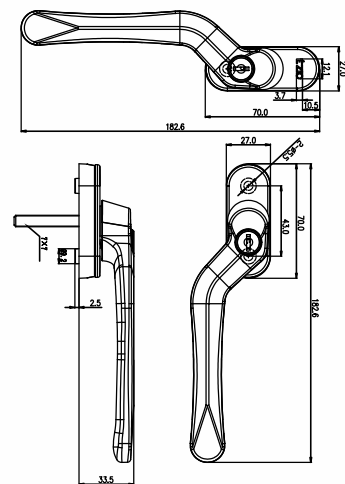
Sliding Handle with key
SLEH02K



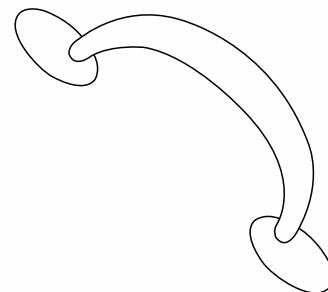
offset handle Left/Right
SNOH03L/R



Offset handle with key left/Right
SNOH04KL/R

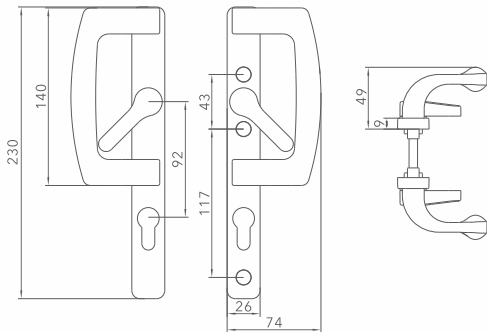


C Handle
C-Handle



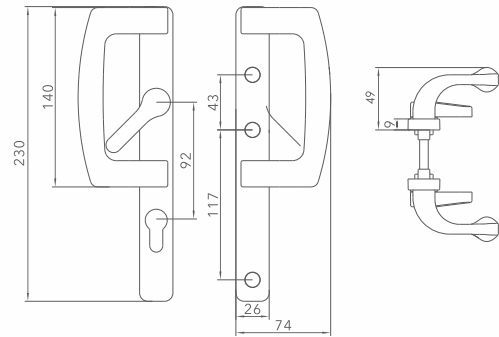
D Handle Both Side Key

SLDH-1C1C



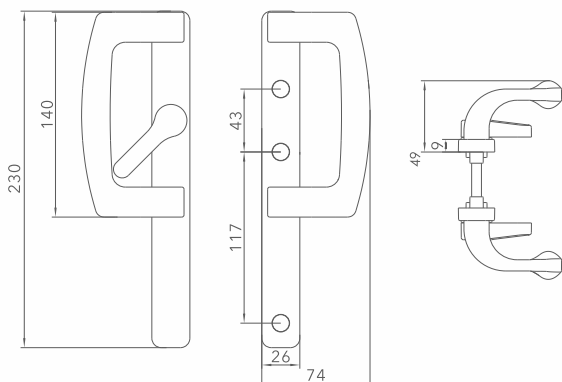
D Handle, One Side Key One Side Plain

SLDH-1C1D



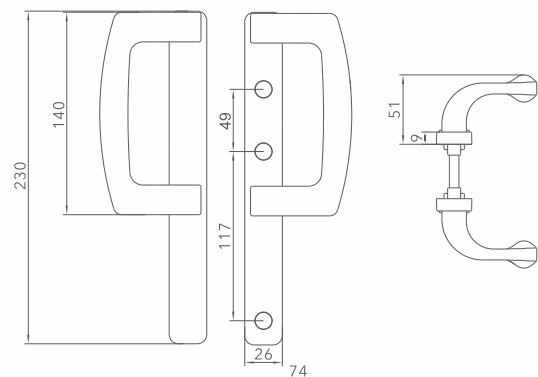
D Handle Both Side, One Side Knob

SLDH - 1N1D



D Handle Dummy Both Side

SLDH-1D1D

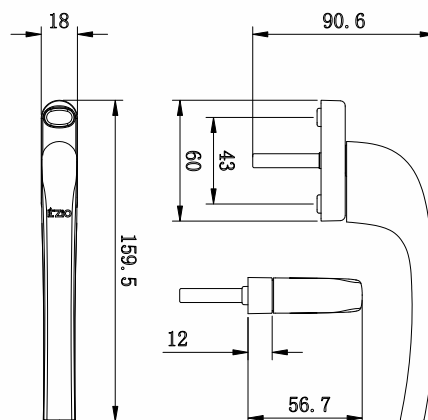


CASEMENT HANDLES



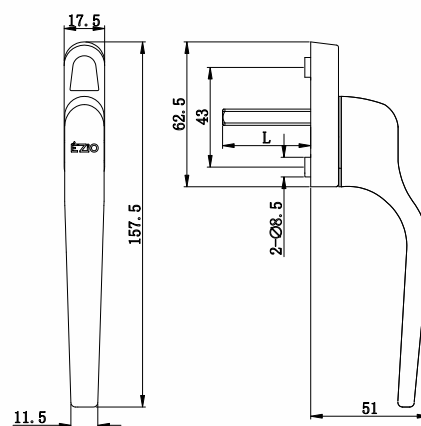
Casement Window Handle (P)

CWH01



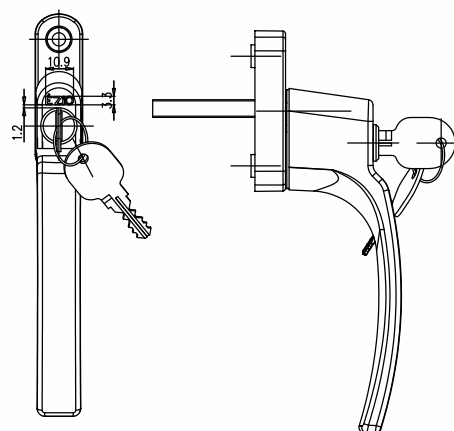
Casement Window Handle

CWH02



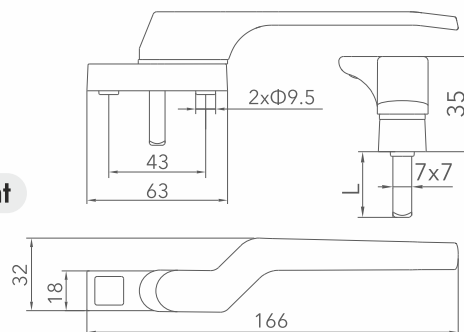
Casement handle with key

CWH03K



Casement Offset Handle Left/Right

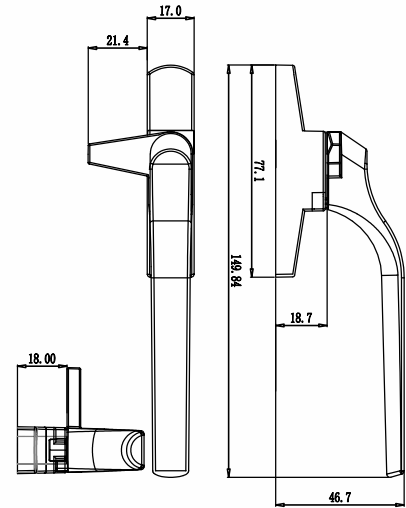
CWH004L/R





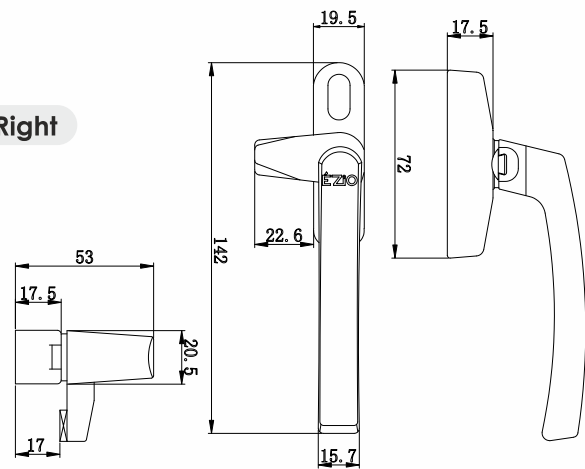
Cokspur Handle Right/Left

SPO1L/R

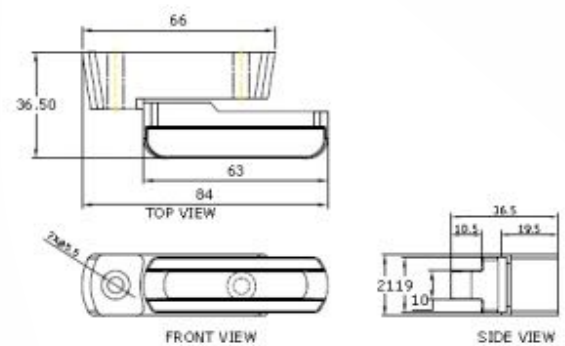


Cokspur Handle Left/Right

SPO2L/R



Sash Jammer

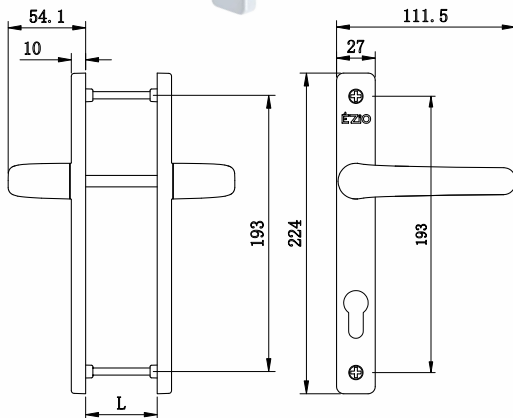


MORTISE HANDLES



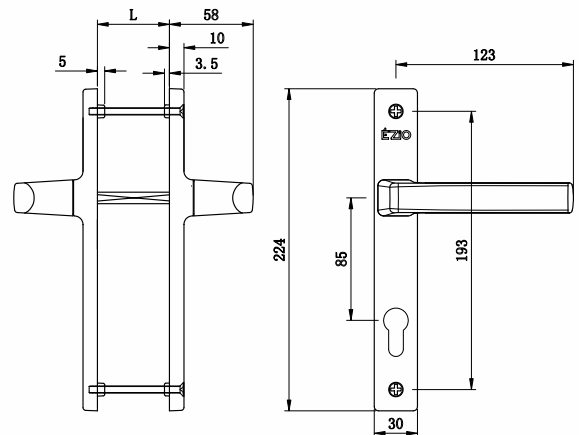
Handle

DHM01



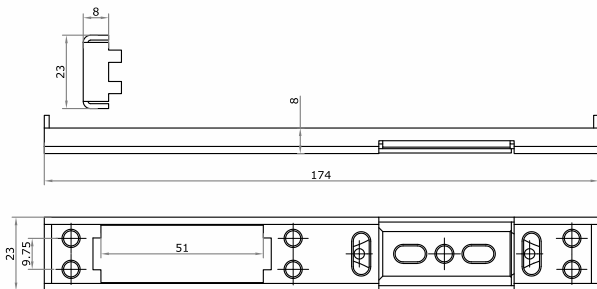
Handle

DHM02



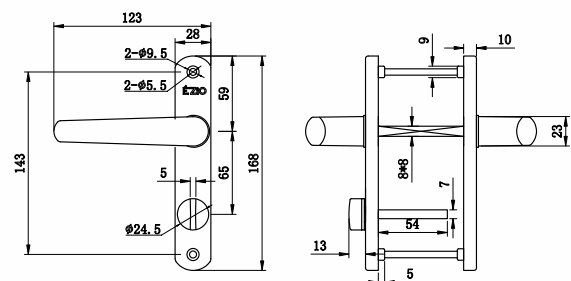
Door Latch Plate

LP01



Bathroom Door Set

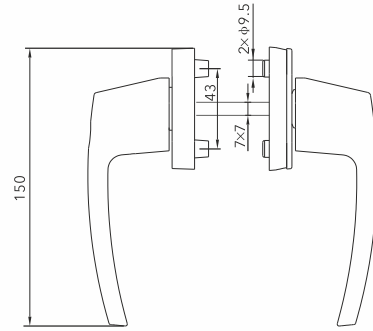
BRDS01





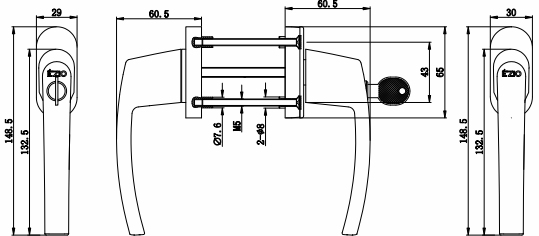
Both Side Handle

CDDH01



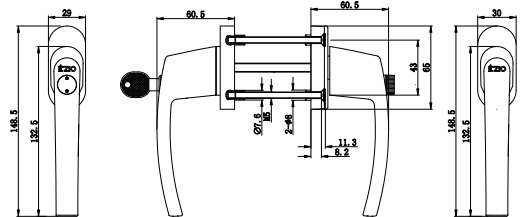
Both Side Handle One Side Key Door Sash

CDDH02K



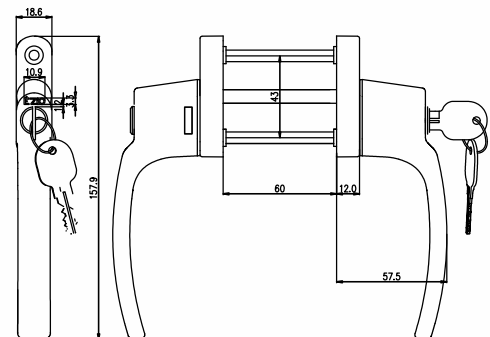
Both Side Handle One Side Key One Side Knob Door Sash

CDDH03KN



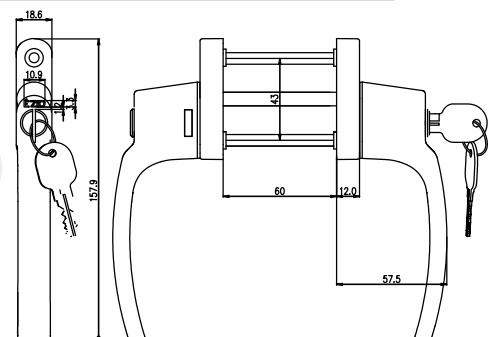
Both Side Handle One Side Key Window Sash

CWDH01K



Both Side Handle One Side Key One Side Knob Window Sash

CWDH02KN



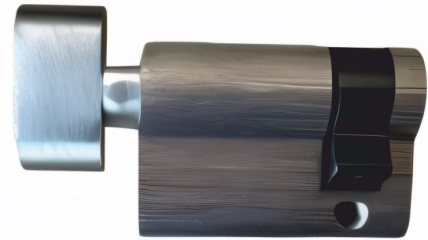
CYLINDERS & CYLINDER COVER



Half Cylinder With Key



Half Cylinder With Knob



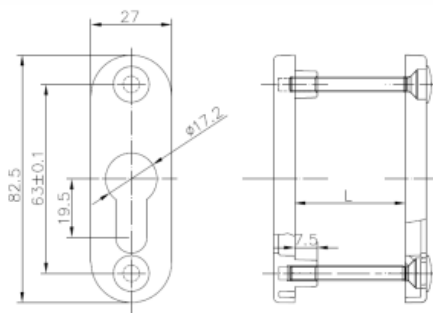
Cylinder With Both Side Key



Cylinder With One Side Key, One Side Knob



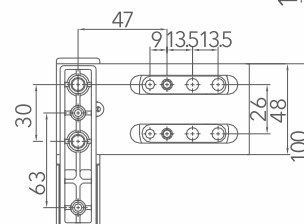
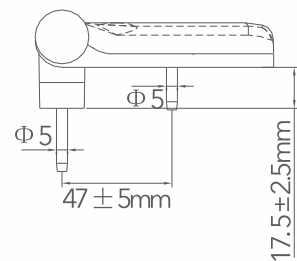
Cylinder Cover





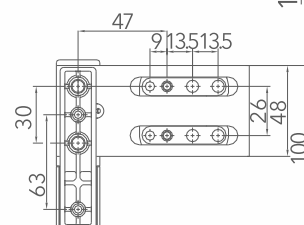
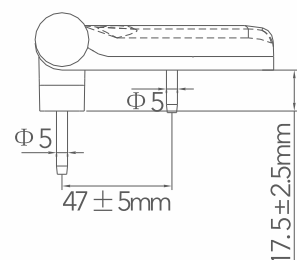
3d Hinge Aluminium

DH3D80



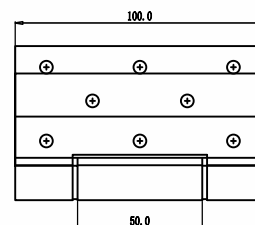
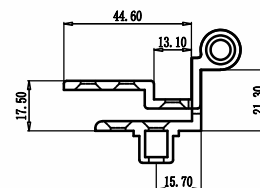
3d Hinge Zinc

DH3D120



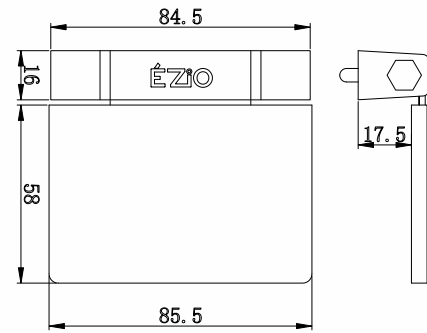
Concealed Door Hinge

DHC01

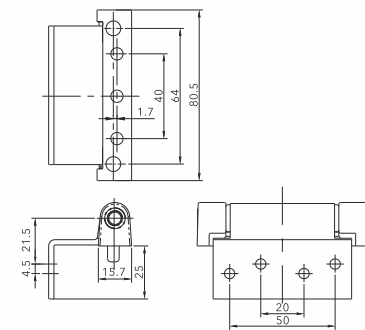




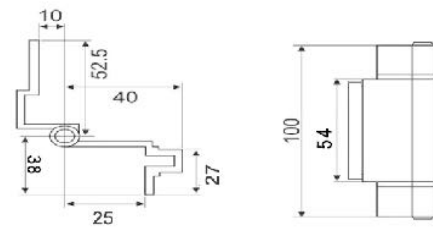
Flat Hinge
FH01



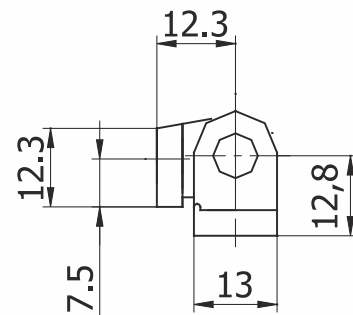
L Hinge
LH01



Concealed Window Hinge
WHC01

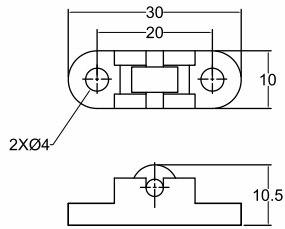


Single Pin Hinge
WHC02



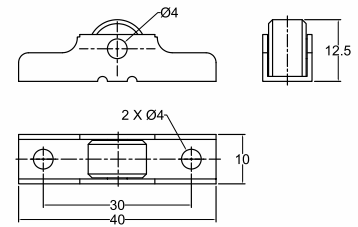
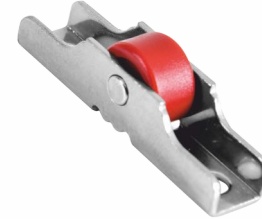
Mesh Roller 1

WR8M



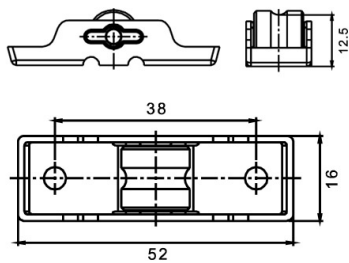
Mesh Roller 2

WR10M



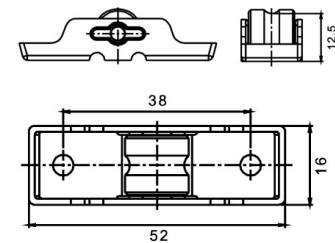
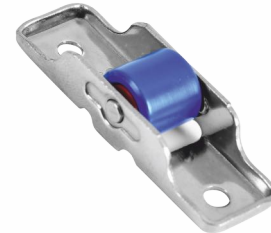
Single Wheel Groove SS Body

WR1316



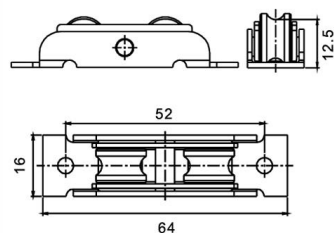
Single Wheel Flat SS Body

WR1316F



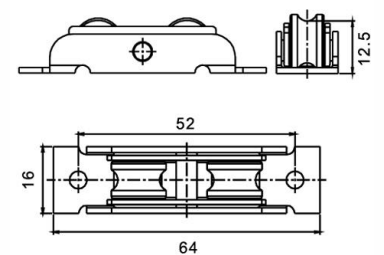
2 Wheel Groove SS Body

WR13162W



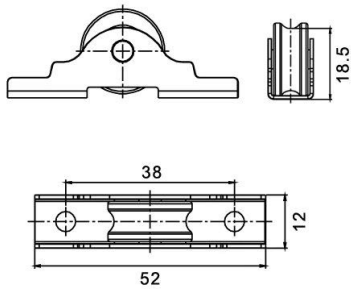
2 Wheel Flat SS Body

WR13162WF



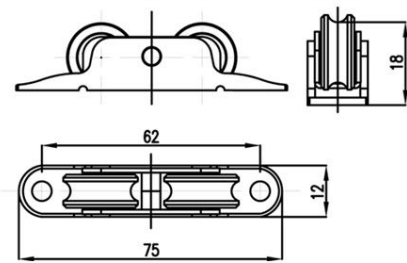
1218 Single Wheel SS Body

WR1218



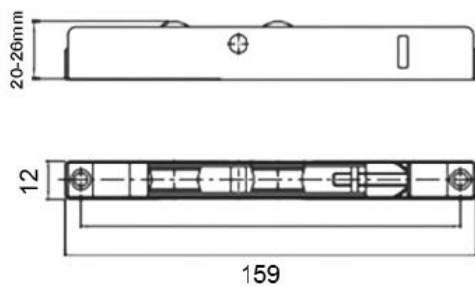
1218 2 Wheel SS Body

WR12182W



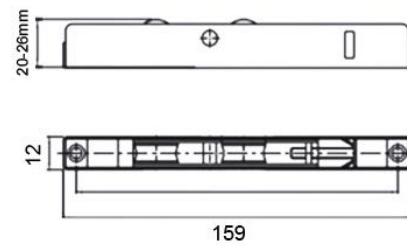
Adjustable Roller 2 Wheel

EZAR2W



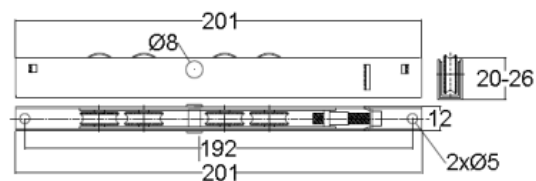
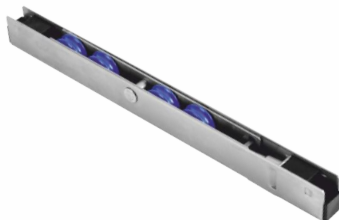
Adjustable Roller SS Body 2 Wheel

DRA2W

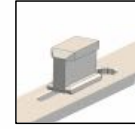


Adjustable Roller SS Body 4 Wheel

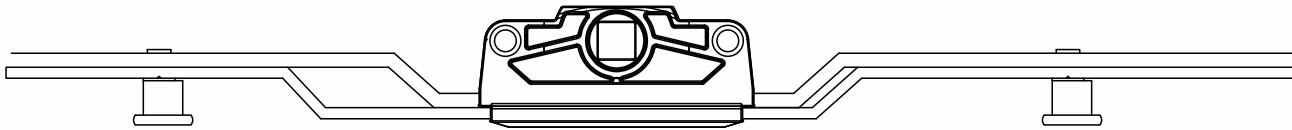
DRA4W



Sliding Window Espag (7.5 mm BS)

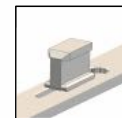


ZINC
PIN

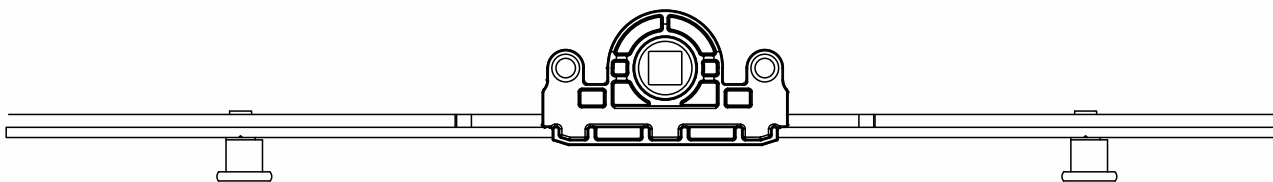


| Sr. No | Item Code | Length(In mm) | Locking points |
|--------|-----------|---------------|----------------|
| 1 | ESLG7504 | 400 | 2 |
| 2 | ESLG7506 | 600 | 2 |
| 3 | ESLG7508 | 800 | 2 |
| 4 | ESLG7510 | 1000 | 2 |
| 5 | ESLG7512 | 1200 | 3 |
| 6 | ESLG7514 | 1400 | 3 |
| 7 | ESLG7516 | 1600 | 4 |
| 8 | ESLG7518 | 1800 | 4 |

Sliding Door Espag (15 mm BS)

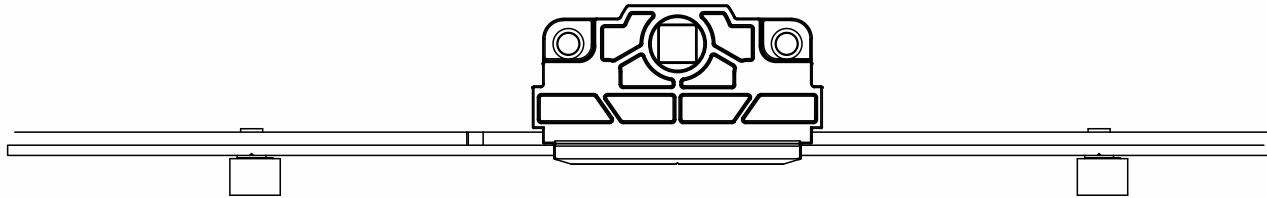


ZINC
PIN



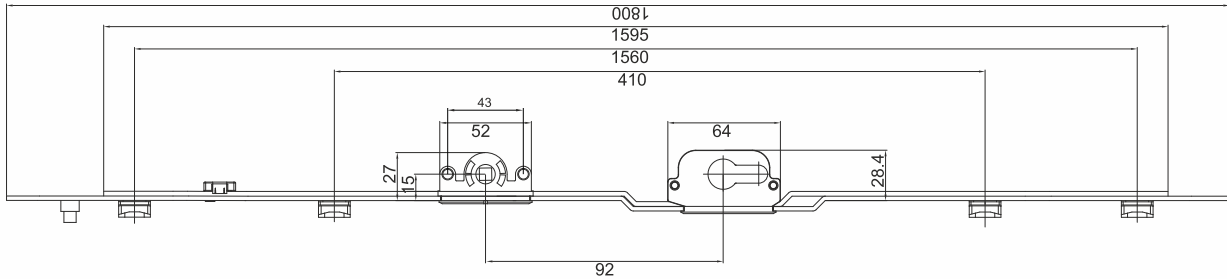
| Sr. No | Item Code | Length(In mm) | Locking points |
|--------|-----------|---------------|----------------|
| 1 | ESLG1510 | 1000 | 2 |
| 2 | ESLG1512 | 1200 | 3 |
| 3 | ESLG1514 | 1400 | 3 |
| 4 | ESLG1516 | 1600 | 4 |
| 5 | ESLG1518 | 1800 | 4 |

Casement Window Espag (22 mm BS)



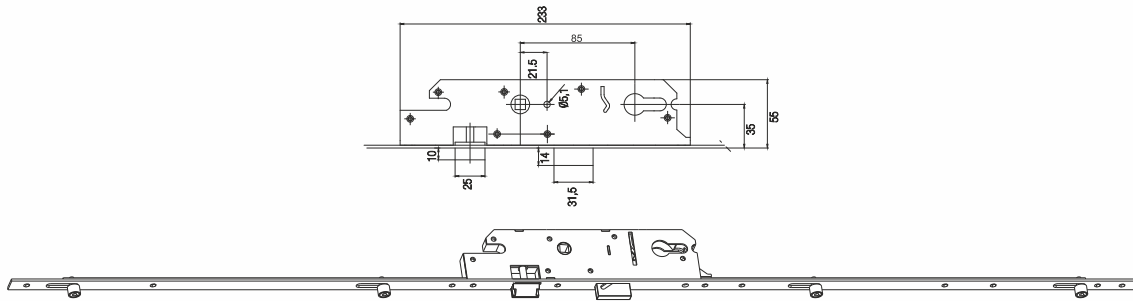
| Sr. No | Item Code | Length(In mm) | Locking points |
|--------|-----------|---------------|----------------|
| 1 | ECG2204 | 400 | 2 |
| 2 | ECG2206 | 600 | 2 |
| 3 | ECG2208 | 800 | 2 |
| 4 | ECG2210 | 1000 | 2 |
| 5 | ECG2212 | 1200 | 3 |
| 6 | ECG2214 | 1400 | 3 |
| 7 | ECG2216 | 1600 | 4 |
| 8 | ECG2218 | 1800 | 4 |

Sliding Lockable Door Espag



| Sr. No | Item Code | BACKSET | LENGTH | LOCKING POINTS | C TO C |
|--------|-----------|---------|--------|----------------|--------|
| 1 | ESLG9218 | 15MM | 1800MM | 4 NOS | 92MM |

Casement Lockable Door Espag (with Deadbolt)



| Sr. No | Item Code | BACKSET | LENGTH | LOCKING POINTS | C TO C |
|--------|-----------|---------|--------|----------------|--------|
| 1 | EDG358518 | 35MM | 1800MM | 4 NOS | 85MM |

CWK01



CWK02



CWK03



CWK04



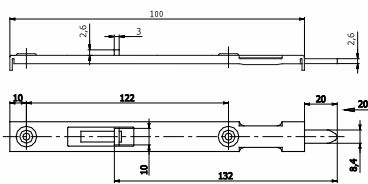
SLK01



Shootbolt

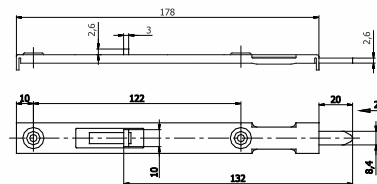
SB01

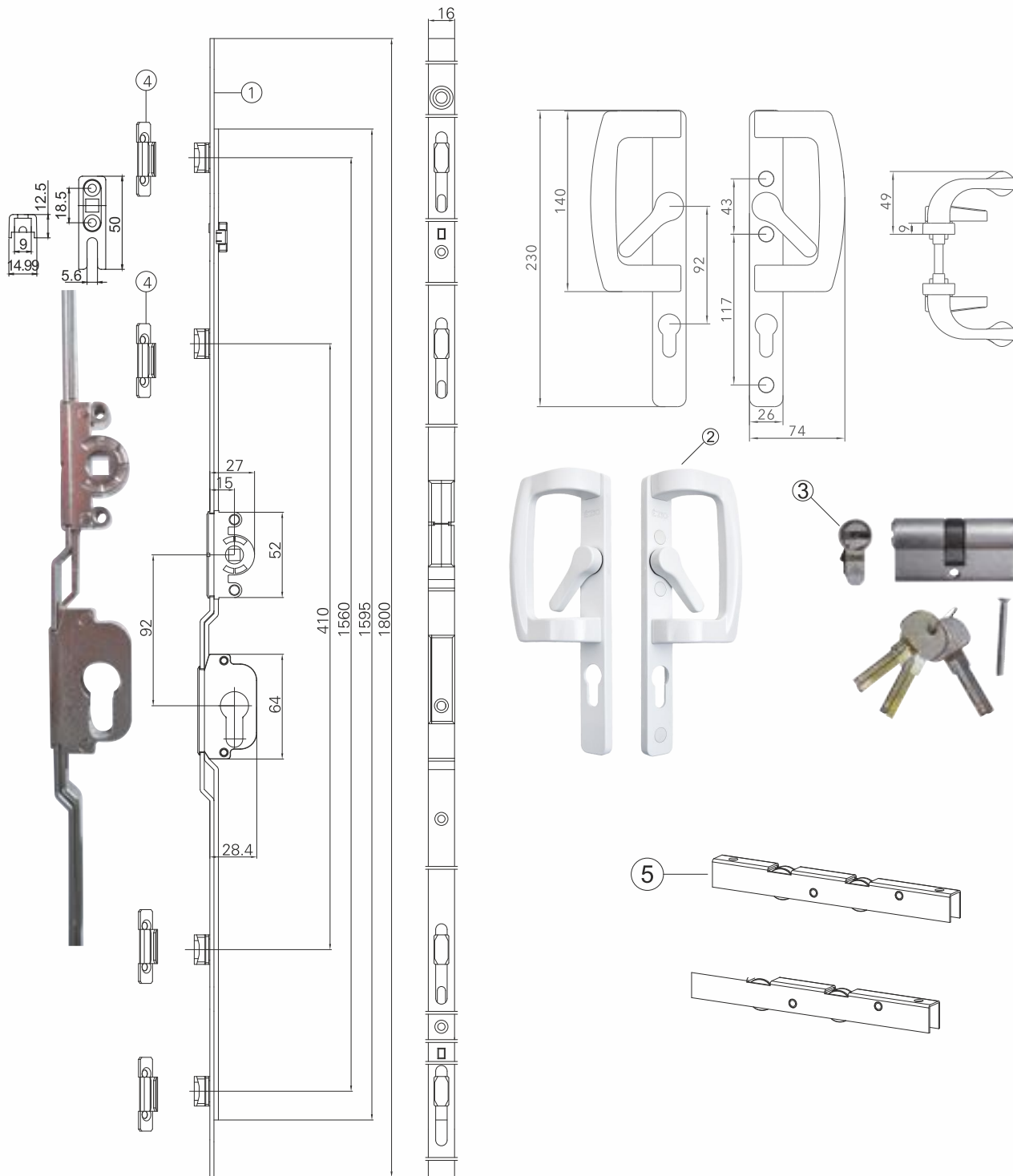
SHOOTBOLT 4" INCH



SB02

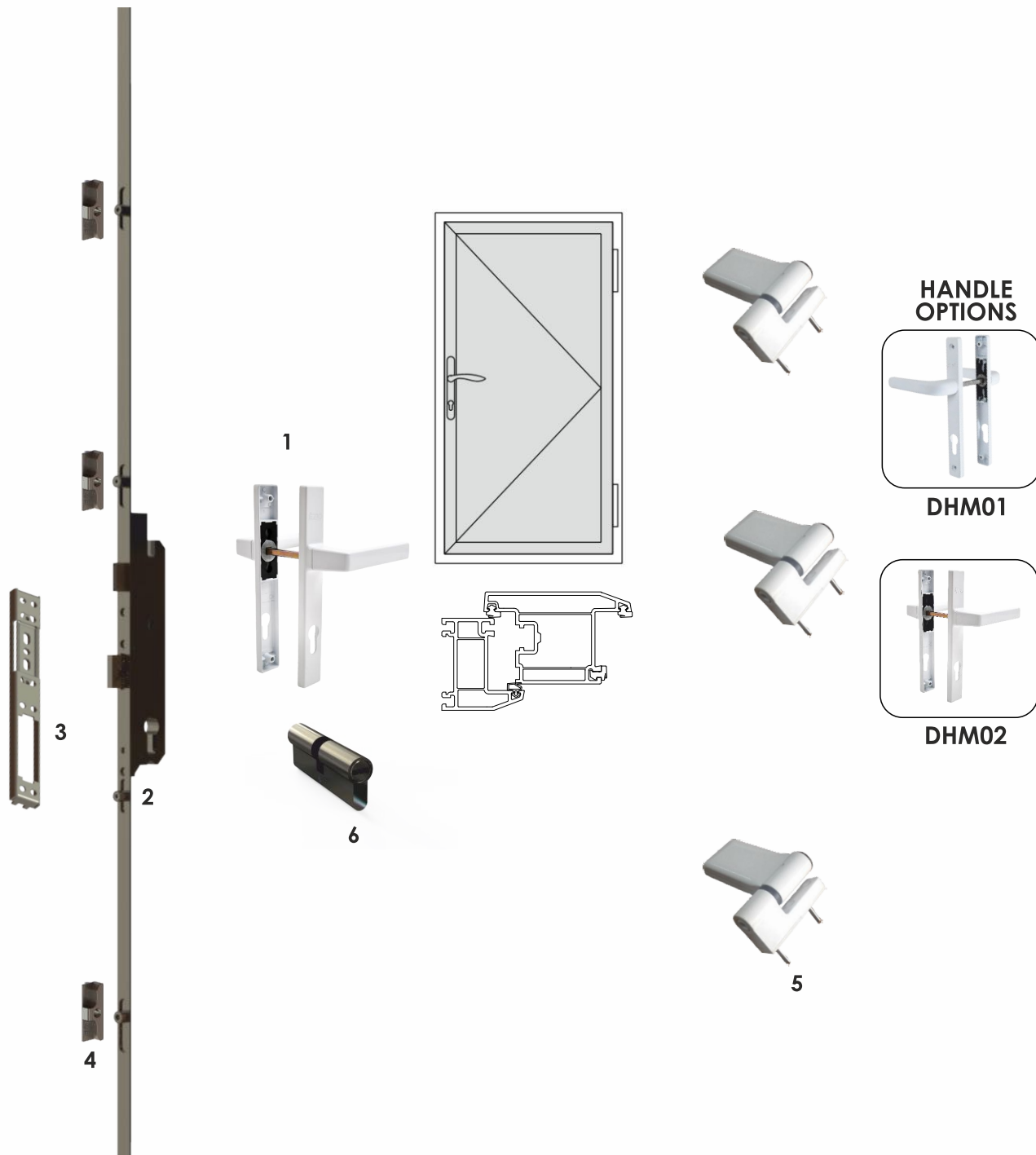
SHOOTBOLT 6" INCH





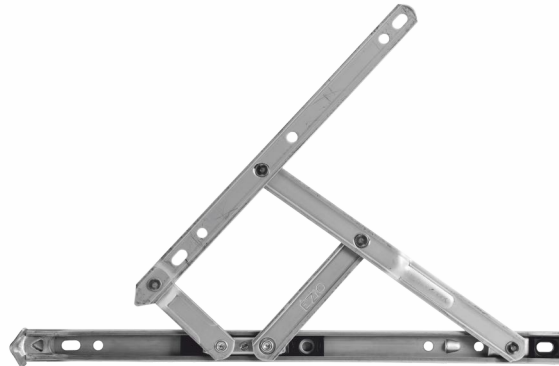
| No. | Name | Item Code | Spec. | Qty. |
|-----|-------------------|-----------|----------------|------|
| 1 | Sliding Door Gear | ESLG9218 | BS:15mm,1800mm | 1 |
| 2 | Door D Handle | SLDH-1C1C | H=42mm | 1 |
| 3 | Cylinder | Cylinder | (OSK/BSK) | 1 |
| 4 | Keeper | SLK01 | Keeper | 4 |
| 5 | Roller | DRA2W | 2 Wheel Roller | 4 |

CASEMENT DOOR LOCK SET



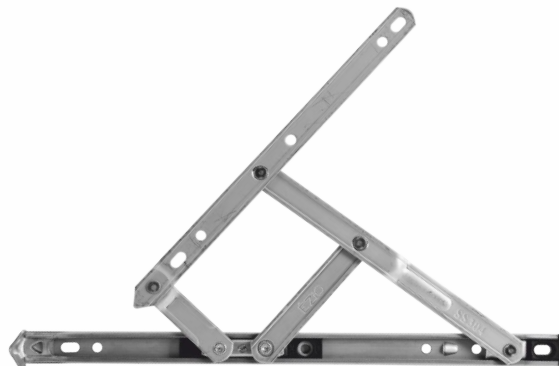
| No. | Name | Item Code | Page No. |
|-----|-----------------------|-----------|----------|
| 1 | Casement Door Handle | DHM02 | 06 |
| 2 | Casement Door Espage | EDG358518 | 15 |
| 3 | Latch Plate | LP01 | 06 |
| 4 | Casement Door Striker | CWK02 | 16 |
| 5 | 3D Hinge | DH3D120 | 09 |
| 6 | Cylinder | OSKBSK | 08 |

18mm Double Pivots Friction Hinges For Side-hung/Top Hung Windows (SS202)



| Product code | Hinge Size (in) | Stack Height (mm) | Side Hung | | Top Hung | | Load Capacity (Kgs) | Opening Angle (± 2.5°) |
|--------------|-----------------|-------------------|------------------------|-------------------------|------------------------|-------------------------|---------------------|------------------------|
| | | | Max Shutter Width (mm) | Max Shutter Height (mm) | Max Shutter Width (mm) | Max Shutter Height (mm) | | |
| FS2010B | 10 | 14 | 500 | 850 | 850 | 500 | 10 | 87.5 |
| FS2012B | 12 | 14 | 550 | 1200 | 1200 | 550 | 12 | 87.5 |
| FS2014B | 14 | 14 | 650 | 1200 | 1200 | 650 | 15 | 87.5 |
| FS2016B | 16 | 14 | 650 | 1350 | 1350 | 650 | 17 | 87.5 |

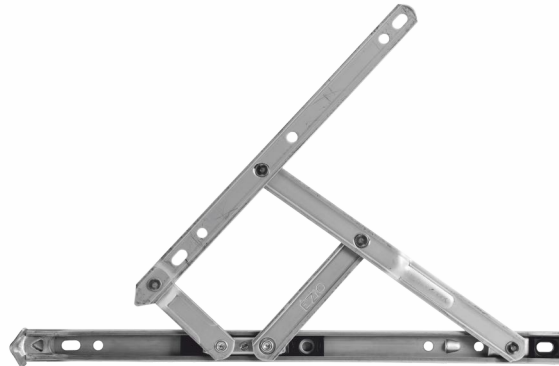
18mm Double Pivots Friction Hinges For Side-hung/Top Hung Windows SS304



| Product code | Hinge Size (in) | Stack Height (mm) | Side Hung | | Top Hung | | Load Capacity (Kgs) | Opening Angle (± 2.5°) |
|--------------|-----------------|-------------------|------------------------|-------------------------|------------------------|-------------------------|---------------------|------------------------|
| | | | Max Shutter Width (mm) | Max Shutter Height (mm) | Max Shutter Width (mm) | Max Shutter Height (mm) | | |
| FS2008A | 8 | 14 | 500 | 850 | 850 | 500 | 10 | 87.5 |
| FS2010A | 10 | 14 | 550 | 1200 | 1200 | 550 | 12 | 87.5 |
| FS2012A | 12 | 14 | 650 | 1200 | 1200 | 650 | 15 | 87.5 |
| FS2014A | 14 | 14 | 650 | 1350 | 1350 | 650 | 17 | 87.5 |
| FS2016A | 16 | 14 | 700 | 1500 | 1500 | 700 | 21 | 87.5 |
| FS2018A | 18 | 14 | 750 | 1600 | 1600 | 750 | 23 | 87.5 |

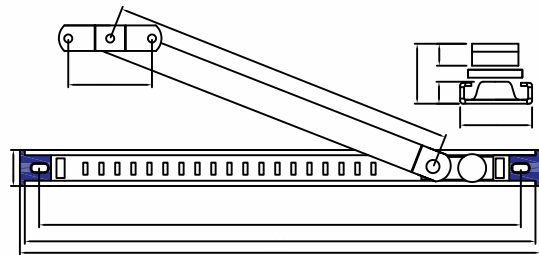
FRICTION HINGES 2.5MM

18mm Double Pivots Friction Hinges For Side-hung/top Hung Windows (SS304)



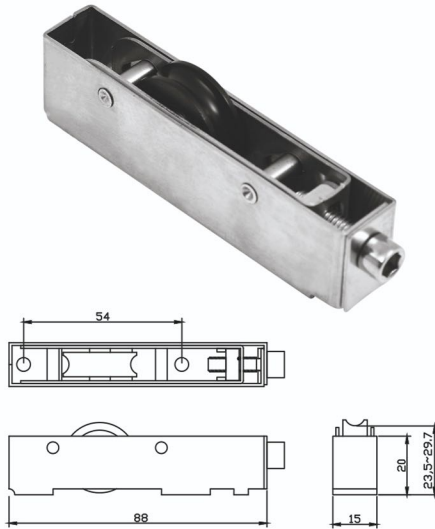
| Product code | Hinge Size (in) | Stack Height (mm) | Side Hung | | Top Hung | | Load Capacity (Kgs) | Opening Angle ($\pm 2.5^\circ$) |
|--------------|-----------------|-------------------|------------------------|-------------------------|------------------------|-------------------------|---------------------|-----------------------------------|
| | | | Max Shutter Width (mm) | Max Shutter Height (mm) | Max Shutter Width (mm) | Max Shutter Height (mm) | | |
| FS2510A | 10 | 14 | 500 | 850 | 850 | 500 | 10 | 87.5 |
| FS2512A | 12 | 14 | 550 | 1200 | 1200 | 550 | 12 | 87.5 |
| FS2514A | 14 | 14 | 650 | 1200 | 1200 | 650 | 15 | 87.5 |
| FS2516A | 16 | 14 | 650 | 1350 | 1350 | 650 | 17 | 87.5 |
| FS2518A | 18 | 14 | 700 | 1500 | 1500 | 700 | 21 | 87.5 |

Restrictor Arm SS304

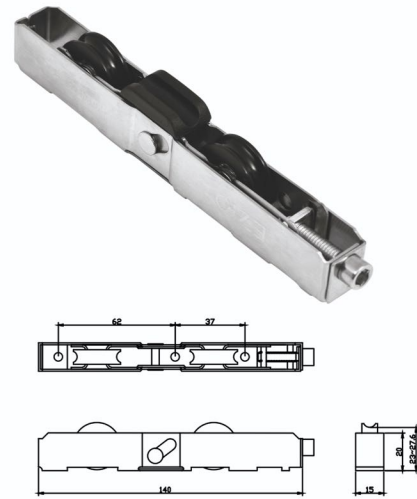


| Product code | Hinge Size (in) | Grading |
|--------------|-----------------|---------|
| RA2510A | 10 | SS304 |
| RA2512A | 12 | SS304 |

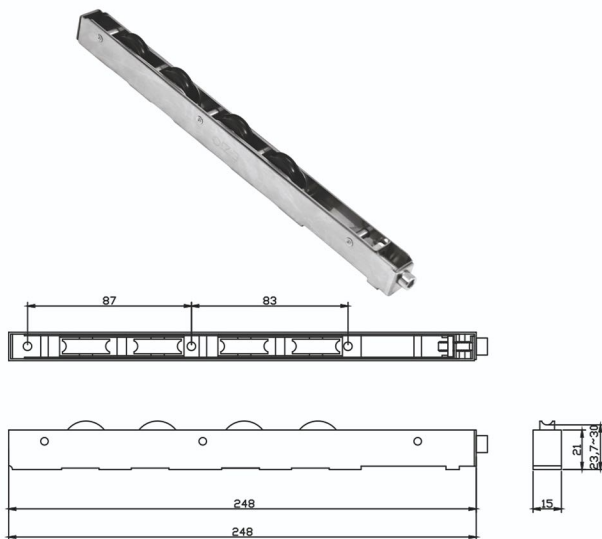
ALR15201W (SS Body)



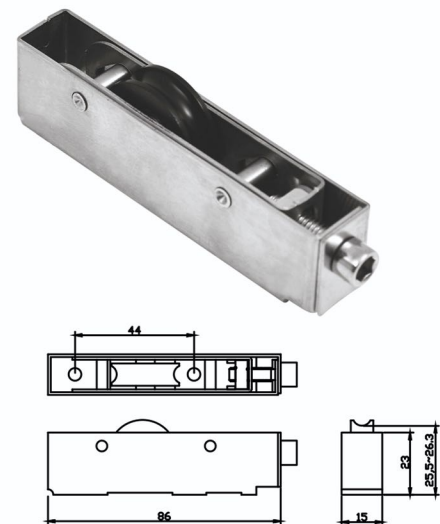
ALR15202W (SS Body)



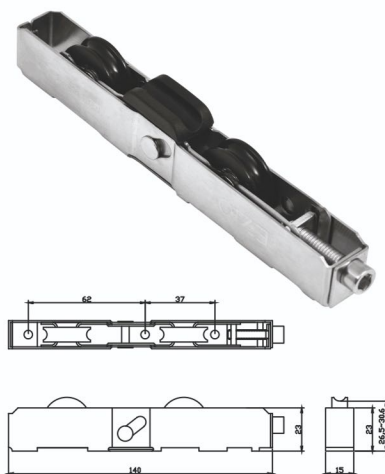
ALR15204W (SS Body)



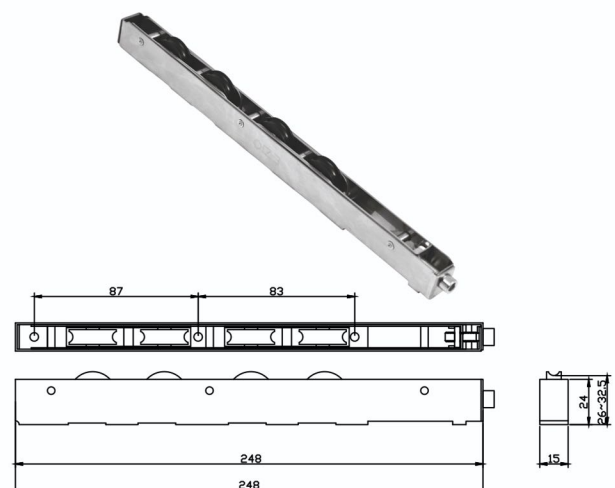
ALR15241W (SS Body)



ALR15242W (SS Body)



ALR15244W (SS Body)



Anchor Cap



Bumper Block



Mesh Lock



Security Block



Windbreak Bridge



Mesh Lock (Metal)



Cushion



Drainage Cap



Bum Stopper



Mesh C handle



Mesh Handle



Sliding Bum Stopper





EZIO

Stocks Available with:

DORIENT MULTI PRODUCTS LLP

707, NDM-2, Netaji Subhash Place, Pitampura, Delhi - 110034

M: +91 9999 401 747, 9910 998 517

E: dorientmultiproducts@hotmail.com | W: www.eziohardware.in